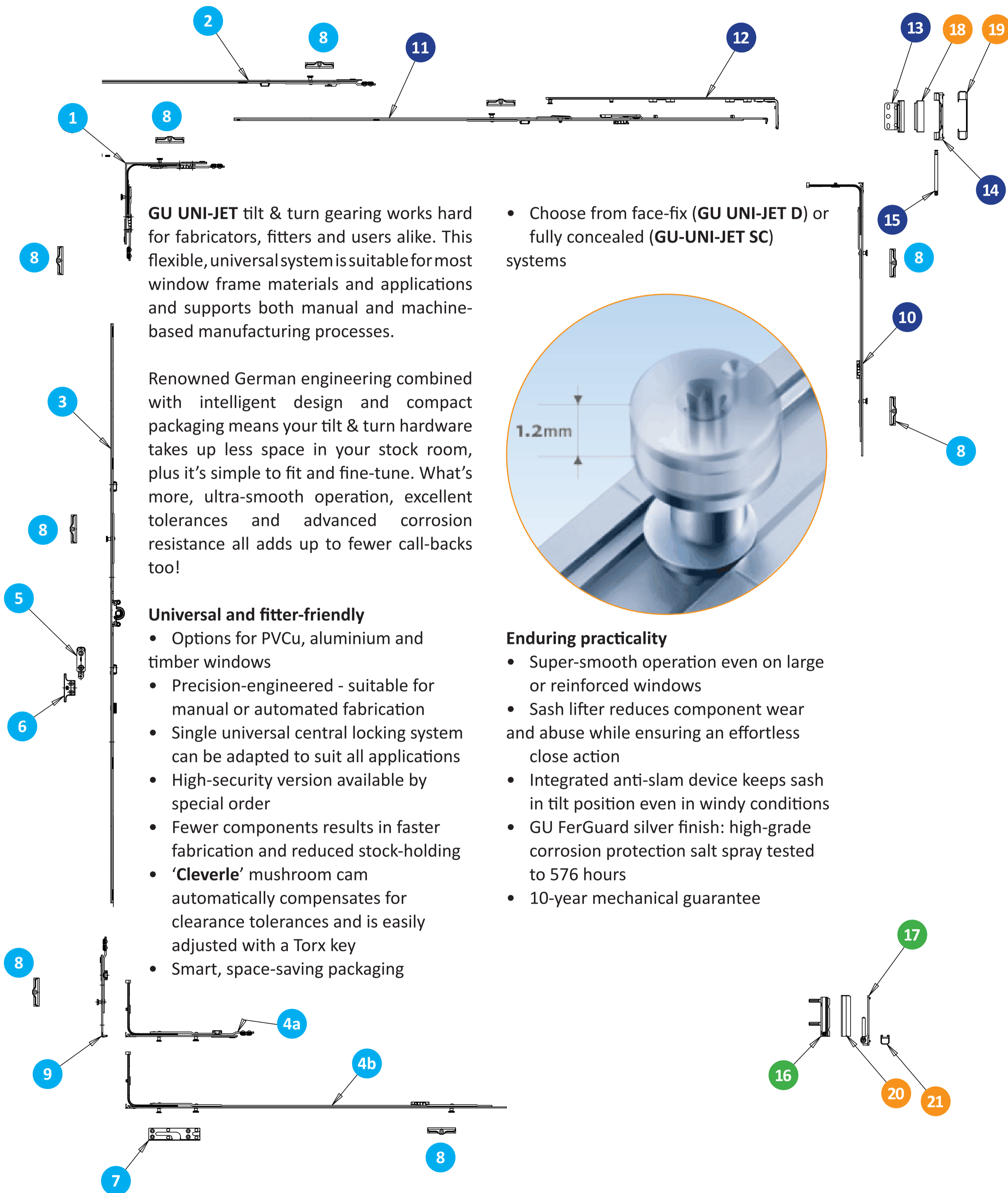




GU UNI-JET D Tilt & Turn Hardware Range



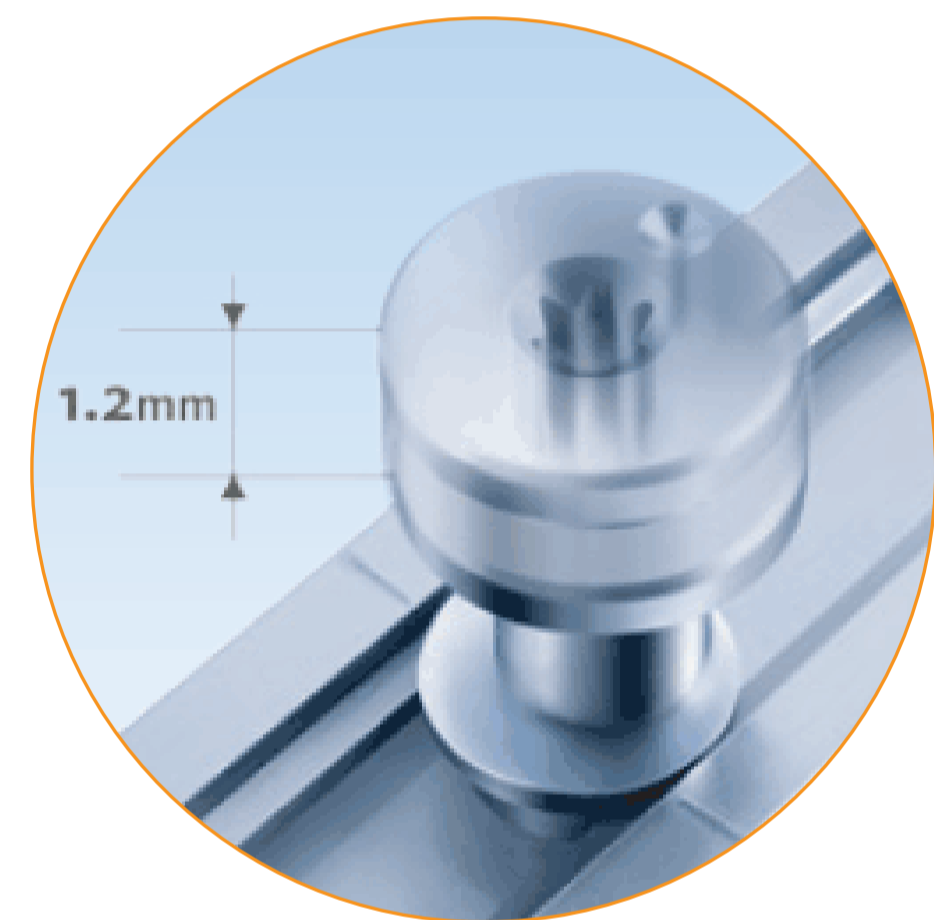
GU UNI-JET tilt & turn gearing works hard for fabricators, fitters and users alike. This flexible, universal system is suitable for most window frame materials and applications and supports both manual and machine-based manufacturing processes.

Renowned German engineering combined with intelligent design and compact packaging means your tilt & turn hardware takes up less space in your stock room, plus it's simple to fit and fine-tune. What's more, ultra-smooth operation, excellent tolerances and advanced corrosion resistance all adds up to fewer call-backs too!

Universal and fitter-friendly

- Options for PVCu, aluminium and timber windows
- Precision-engineered - suitable for manual or automated fabrication
- Single universal central locking system can be adapted to suit all applications
- High-security version available by special order
- Fewer components results in faster fabrication and reduced stock-holding
- 'Cleverle' mushroom cam automatically compensates for clearance tolerances and is easily adjusted with a Torx key
- Smart, space-saving packaging

- Choose from face-fix (GU UNI-JET D) or fully concealed (GU-UNI-JET SC) systems



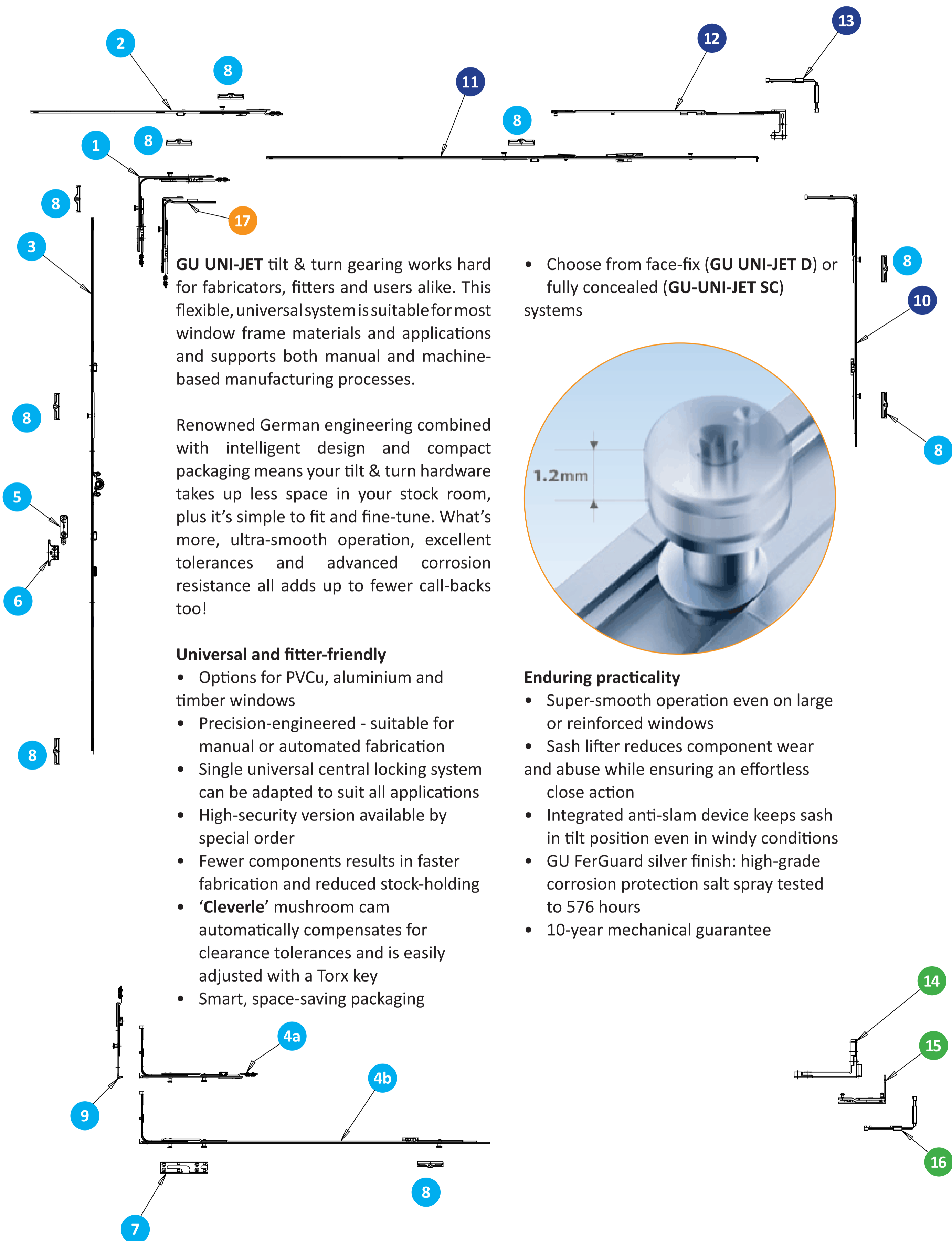
Enduring practicality

- Super-smooth operation even on large or reinforced windows
- Sash lifter reduces component wear and abuse while ensuring an effortless close action
- Integrated anti-slam device keeps sash in tilt position even in windy conditions
- GU FerGuard silver finish: high-grade corrosion protection salt spray tested to 576 hours
- 10-year mechanical guarantee

	DESCRIPTION	SASH REBATE WIDTH	REQUIRED KEEPS	PART CODE		BOX QTY.	
1	Corner Transmission	500-1400mm	1	GUT32021		10	
2	Extension Piece	500mm	1	GUT32142		10	
				3a	7.5 Backset	3b	15mm Backset
3	Drive Gear	480-590mm	1	-	GUT22080	10	
		510-590mm	1	GUT22100	-	10	
		591-750mm	1	GUT22101	GUT22081	10	
		751-1200mm	1	GUT22102	GUT22082	10	
		951-1450mm	1	GUT22103	GUT22083	10	
		1201-1700mm	1	GUT22004	GUT22084	10	
		1451-1950mm	1	GUT22105	GUT22085	10	
		1951-2450mm	1	GUT22106	GUT22086	10	
4a	Centre Lock Bottom	280-750mm	0	GUT32612		10	
4b		751-950mm	1	GUT32605		10	
		951-1200mm	1	GUT32607		10	
		1201-1600mm	1	GUT32610		10	
5	Sash Positioner/Lifter	591-2090	0	GUT29987		100	
6	Sash Lifter	591-2090mm	-	PROFILE RELATED		100	
7	Locking Plate		-	PROFILE RELATED			
8	Roller Keep		-	PROFILE RELATED		100	
9	Drive Gear Extension		1	GUT33205		10	
	TOP HINGE						
10	Centre Lock Side	721-1100mm	2	GUT32705		10	
		1101-1350mm	2	GUT32707		10	
		1351-1850mm	2	GUT32712		10	
		1851-2100mm	2	GUT32715		10	
		2101-2350mm	2	GUT32719		10	
11	Stay Arm Connect Plate	401-500mm	1	GUT31503		10	
		501-750mm	1	GUT31506		10	
		751-950mm	1	GUT31508		10	
		951-1200mm	1	GUT31510		10	
		1201-1450mm	1	GUT31512		10	
12	Stay Arm	280-500mm	0	GUT36824		10	
		501-750mm	0	GUT36833		10	
		751-1200mm	0	GUT36847		10	
		1201-1600mm	0	GUT36863		10	
13	Stay Arm Connector	9/13mm Eurogroove	-	GUT36043		100	
14	Stay Arm Bearing		-	GUT36026		100	
15	Stay Arm Bearing Pin		-	GUT48898		100	
	BOTTOM HINGE						
16	Square Hinge		-	GUT36101		100	
17	Pivot Post	9/13mm Eurogroove	-	GUT36822		100	
	HINGE COVER CAPS			WHITE	BROWN	CREAM RAL9001	BLACK
18-21	Cover Cap Kit for Square Stay Hinge			GUT18607	GUT18605	GUT18601	-
19	Stay Bearing Cover			GUT47337	GUT47335	-	-
20	Stay Hinge Cover			GUT47797	GUT47795	GUT47791	-
21	Rebate Hinge Cover	Left Hand		GUT47827L	GUT47825L	GUT47801L	-
		Right Hand		GUT47827R	GUT47825R	GUT47801R	-



GU UNI-JET SC Tilt & Turn Hardware Range



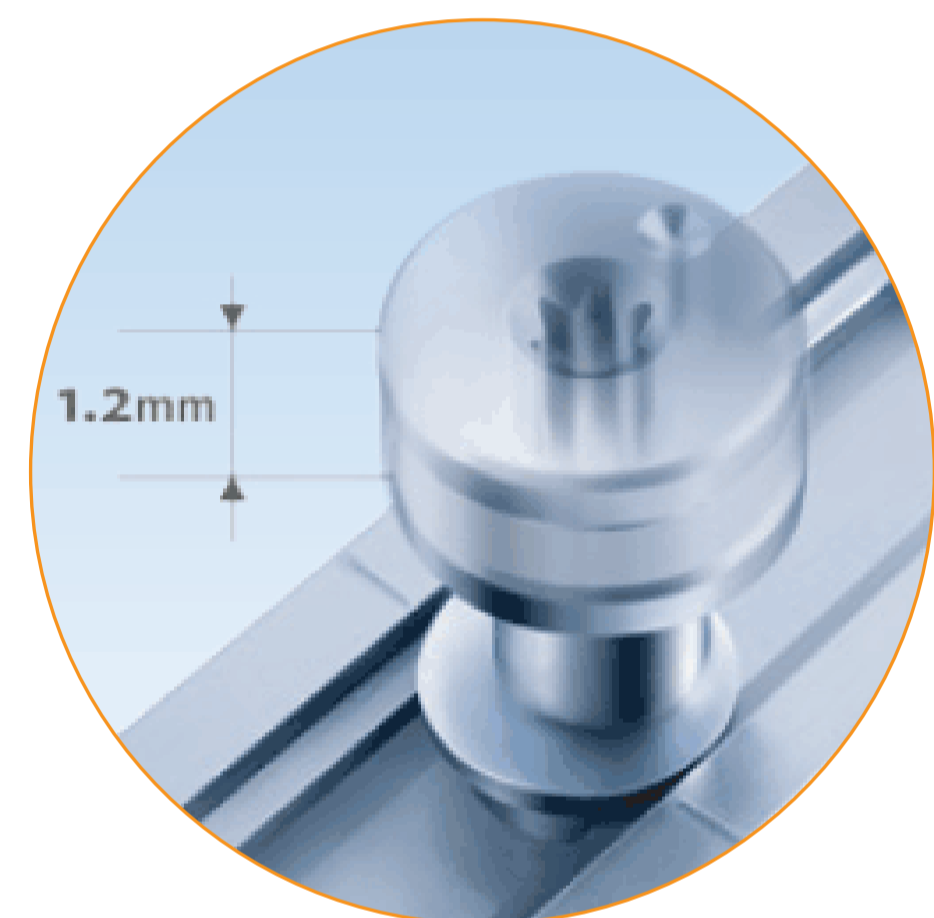
GU UNI-JET tilt & turn gearing works hard for fabricators, fitters and users alike. This flexible, universal system is suitable for most window frame materials and applications and supports both manual and machine-based manufacturing processes.

Renowned German engineering combined with intelligent design and compact packaging means your tilt & turn hardware takes up less space in your stock room, plus it's simple to fit and fine-tune. What's more, ultra-smooth operation, excellent tolerances and advanced corrosion resistance all adds up to fewer call-backs too!

Universal and fitter-friendly

- Options for PVCu, aluminium and timber windows
- Precision-engineered - suitable for manual or automated fabrication
- Single universal central locking system can be adapted to suit all applications
- High-security version available by special order
- Fewer components results in faster fabrication and reduced stock-holding
- 'Cleverle' mushroom cam automatically compensates for clearance tolerances and is easily adjusted with a Torx key
- Smart, space-saving packaging

- Choose from face-fix (GU UNI-JET D) or fully concealed (GU-UNI-JET SC) systems



Enduring practicality

- Super-smooth operation even on large or reinforced windows
- Sash lifter reduces component wear and abuse while ensuring an effortless close action
- Integrated anti-slam device keeps sash in tilt position even in windy conditions
- GU FerGuard silver finish: high-grade corrosion protection salt spray tested to 576 hours
- 10-year mechanical guarantee

	DESCRIPTION	SASH REBATE WIDTH	REQUIRED KEEPS	PART CODE		BOX QTY.
1	Corner Transmission	500-1400mm	1	GUT32021		10
2	Extension Piece	500mm	1	GUT32142		10
				3a 7.5 Backset	3b 15mm Backset	
3	Drive Gear	480-590mm	1	-	GUT22080	10
		510-590mm	1	GUT22100	-	10
		591-750mm	1	GUT22101	GUT22081	10
		751-1200mm	1	GUT22102	GUT22082	10
		951-1450mm	1	GUT22103	GUT22083	10
		1201-1700mm	1	GUT22004	GUT22084	10
		1451-1950mm	1	GUT22105	GUT22085	10
		1951-2450mm	1	GUT22106	GUT22086	10
4a	Centre Lock Bottom	280-750mm	0	GUT32612		10
4b		751-950mm	1	GUT32605		10
		951-1200mm	1	GUT32607		10
		1201-1600mm	1	GUT32610		10
5	Sash Positioner/Lifter	591-2090mm	-	GUT29987		100
6	Sash Lifter	591-2090mm	-	PROFILE RELATED		100
7	Locking Plate		-	PROFILE RELATED		100
8	Roller Keep		-	PROFILE RELATED		100
9	Drive Gear Extension		1	GUT33205		10
TOP HINGE						
10	Centre Lock Side	480-720mm	2	GUT32100		10
		721-1100mm	2	GUT32805		10
		1101-1350mm	2	GUT32807		10
		1351-1700mm	2	GUT32812		10
		1701-2100mm	2	GUT32815		10
		2101-2350mm	2	GUT32819		10
11	Stay Arm Connect Plate	420-750mm	1	GUT34006		10
		751-950mm	1	GUT34008		10
		951-1200mm	1	GUT34010		10
		1201-1300mm	1	GUT34012		10
				LEFT HAND	RIGHT HAND	
12	Stay Arm	390-750mm	0	GUT37031L	GUT37031R	10
		751-1400mm	0	GUT37046L	GUT37046R	10
13	Concealed Hinge Packer	No. 1	-	GUT44401L	GUT44401R	100
		No. 2	-	GUT44402L	GUT44402R	100
		No. 3	-	GUT44403L	GUT44403R	100
		No. 5	-	GUT44405L	GUT44405R	100
		No. 7	-	GUT44407L	GUT44407R	100
		No. 28	-	GUT44428L	GUT44428R	100
		No. 28	-	GUT49628L	GUT49628R	100
BOTTOM HINGE						
14	Sash Bearing	13mm Eurogroove	-	GUT34013L	GUT34013R	50
15	Corner Bearing		-	GUT34095L	GUT34095R	50
16	Hinge Packer	Pair	-	PROFILE RELATED		
ALTERNATIVE PARTS						
17	Corner Transmission	400-500mm	1	GUT32238		10