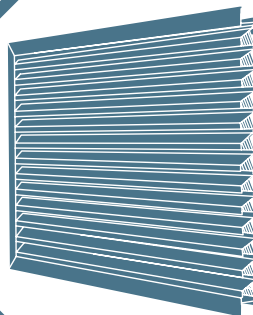
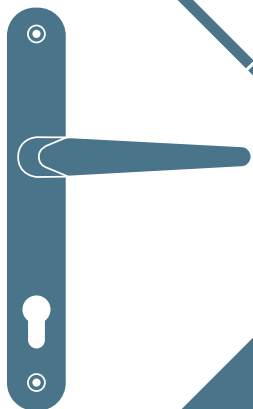
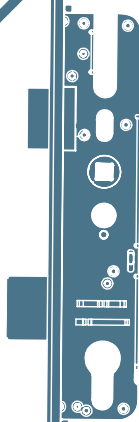
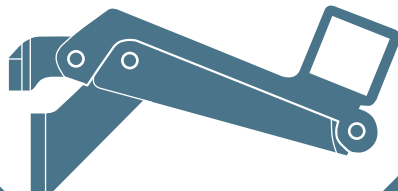
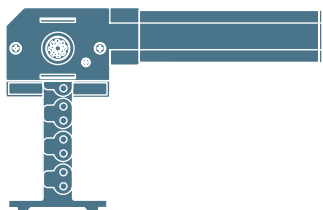


HARDWARE FOR
ALUMINIUM PROFILES

2022

**WINDOW
WARE**

We've got it





Hardware for Aluminium Profile Systems

WIDE CHOICE WITHOUT THE LEGWORK

When it comes to sourcing quality furniture and fittings to kit out aluminium door and window systems, fabricators regularly rely on several suppliers to satisfy their hardware requirements. That can often mean extra paperwork, multiple shipments, increased carriage costs and greater chance of delay for hard-pressed production managers.

Window Ware provides the perfect remedy to hardware sourcing headaches. We stock a comprehensive range of aluminium-compatible products all under one roof so that fabricators can check off their parts list without overcomplicating their supply chain.

This catalogue brings together practically everything a fabricator might need to fit out both aluminium doors and windows, while meeting specification on security, safety and ventilation. So whether you're working on residential applications or commercial contracts, we've got all aspect of aluminium hardware covered!

Window manufacturers can create full-functioning casements with our extensive selection of handles, hinges, espagnolette bars, folding openers and manual or automatic gearing.

Meet even intensive ventilation specifications with off-the-shelf trickle vents or custom-built glazed-in ventilators for windows, and made-to-measure aluminium louvre grilles to suit any installation.

Door fabricators can pick their preferred locking action from our selection of lever operated and slam door locks. **Fulfil security requirements** with 1 star and 3 star

cylinders, multi-point door locks, 2 star slim-backset door handles, plus certified hardware that meets PAS 24, Secured by Design, TS 007 and TS 008 accreditations such as the Yale Postmaster Professional – one of the most secure letterplates on the market. **Provide a fast and easy emergency exit** with our reliable panic bar hardware. **Add the finishing touches to any door** with an impressive array of escutcheons, spyholes, door chains, hooks, knockers, pull handles, numerals and more. **Stick to preferred and trusted manufacturers** with quality, proven hardware from leading brands like Yale, Trojan, Eurospec, Duco, RW Simon, Securistyle, Cotswold Architectural Products, Axim, Omec and more!

To top it all off, you'll find our professional team is a pleasure to work with! With several service awards under our belts and a post-COVID average monthly OTIF that currently hovers around +94%, you can expect a professional, friendly customer experience and timely delivery of your goods.

Let Window Ware take the hassle out of sourcing your aluminium door and window hardware.

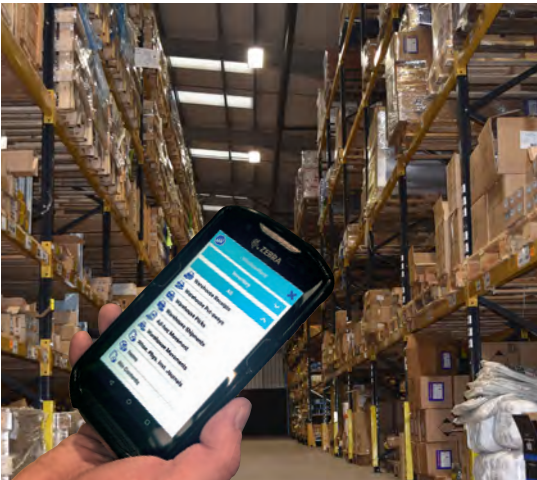
Hardware for Aluminium Profiles

Window Hardware 6-60
Door Hardware 61-110

Tools & Consumables

111-127

Supporting fabricators from start to finish



Capacity 36,000 ft² premises

Availability £3 million stockholding

Reliability 94% of orders arrive On Time In Full

Choice 1,000 products from 30 of the industry's leading brands



Superior service as standard



Dependable deliveries

Our post-COVID +94% average OTIF means you get the hardware you want, when and where you need it



Fast response

95% of calls answered in 3 rings or less by real people rather than robots



Dedicated sales support

Giving you consistent, familiar points of contact for a closer supply partnership



Extra effort

Last year, we sourced 1524 non-stocked items because customers asked for them



Always in the loop

Stay informed with email order confirmations, back order notifications & delivery tracking



Quality & choice

5,000+ quality branded products from a single source with an ultra-low 0.12% return rate



7 ways to do business

Place your orders by email, phone, fax or web and pay by BACS, credit card or online



Expertise on tap

From a clued-up crew of industry experts, ex-fitters and fabricators with wisdom to share

Where fabricators and installers go for the industry's leading brands.

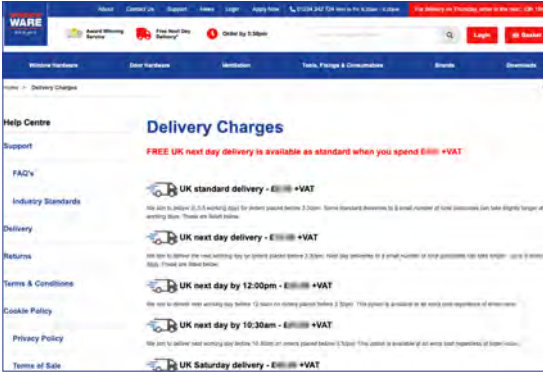


How can we help?



Specialist expertise

Our fenestration-trained staff are a knowledgeable bunch. Over 50% have worked for us for 10 years or more, giving you the very best advice, from the very best people.



Delivery:

Please visit our website www.windowware.co.uk for the latest delivery rates and FREE delivery thresholds

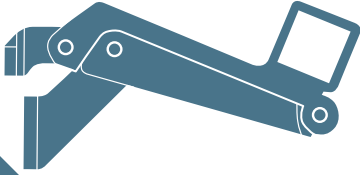


Get in touch:

T 01234 242724
F 01234 242700
E sales@windowware.co.uk
W www.windowware.co.uk

Window Ware
Telford Way, Cross Park
Bedford MK42 0PQ





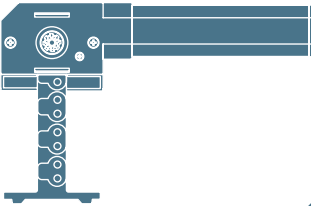
Friction Hinges	6-19
Kore	7-19
Cotswold	10-14
Securistyle	15-18
Trojan	19

Espagnolette Bars	20
Kenrick	20

Restrictors	21-24
Cotswold	22
Cubelock	23
Kore	24-25
JJ Banks	24
Yale	25

Cockspur Handles	26-27
Trojan	27
Securistyle	27

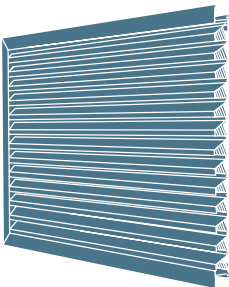
Espagnolette Handles	26 & 28-29
Yale	28
Securistyle	29



Folding Openers	30-33
Caldwell	30-31
Strand Duoflex	32-33

Highline Window Controls	34-49
Manual Controls	34-43
Electrical Controls	44-48
Order/Quote Form	49

Ventilation	50-54
Trickle Vents	50
Over Glass	51
Glazed-in	51
Duco Louvres	52-59



FRICION HINGE OVERVIEW



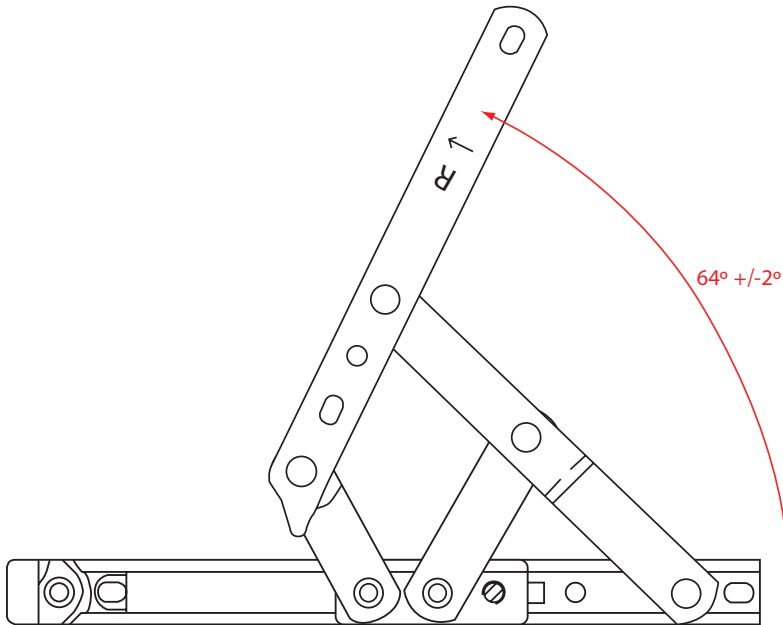
HINGE TYPE	POSITION		SIZE (INCH)							STACK HEIGHT (mm)			MAX WEIGHT	OPENING ANGLE	BRAND	PAGE		
	TOP	SIDE	6	8	10	12	13	16	20	24	13	16					17	
Slimline	•			•	•	•		•	•	•			•	12-35kg	37.5-80°	Securistyle	16	
		•			•			•					•	22-24kg	60°	Securistyle	16	
Standard	•			•	•	•		•	•	•	•		•	10-50kg	38-62°	Cotswold	10	
	•			•	•	•		•	•	•	•		•	10-50kg	38-87°	Kore	7	
	•		•	•	•	•		•	•	•	•		•	10-35kg	37.5-80°	Securistyle	15	
		•				•		•					•	20, 26kg	51-60°	Cotswold	10	
		•					•	•					•	18, 24kg	84°, 87°	Kore	7	
		•					•	•					•	22, 24kg	60°	Securistyle	15	
Restricted	•						•	•				•	•	20, 24kg	48°, 59°	Cotswold	11	
	•						•	•	•	•		•	•	20-35kg	37.5-65°	Securistyle	17	
		•					•	•	•	•		•	•	20-32kg	45-59°	Cotswold	11	
		•					•	•				•	•	22, 24kg	60°	Securistyle	17	
Egress Only		•			•			•				•	•	21kg	85-90°	Cotswold	12	
		•					•	•				•	•	16-22kg	84-88°	Kore	8	
		•		•							13.5	16.5		33kg	90°	Trojan	19	
Egress Easy Clean		•			•			•				•	•	21kg	80-84°	Cotswold	13	
		•					•	•				•	•	18-21kg	80-88°	Kore	9	
		•					•	•				•	•	22, 24kg	80°, 90°	Securistyle	18	
Mega Egress Only		•		•							13.5	16.5		33kg	90°	Trojan	19	
Egress Easy Clean Extreme		•					•	•				•	•	30-35kg	85°	Cotswold	14	
Mega Egress Easy Clean		•						•				13.5	16.5		40kg	90°	Trojan	19



Kore Standard Friction Hinges



- Manufactured from 430 grade stainless steel
- All hinges achieved BS6375-2 and all hinges tested to Class 2 - 10,000 cycles
- Standard range available in 8, 10, 12, 16, 20 & 24 inch top hung and 12 & 16 inch side hung
- 18mm track width
- Maximum weight load: 10-50kg



TYPE	SIZE	WEIGHT	MAX VENT		OPENING ANGLE	STACK HEIGHT		BOX QTY.
			WIDTH	HEIGHT		13mm	17mm	
Top Hung	8 inch	10kg	1200mm	300mm	64°	HIN51208	HIN51408	25 Pairs
Top Hung	10 inch	16kg	1200mm	450mm	86°	HIN51210	HIN51410	25 Pairs
Top Hung	12 inch	21kg	1200mm	600mm	87°	HIN51212	HIN51412	25 Pairs
Top Hung	16 inch	22kg	1200mm	750mm	84°	HIN51216	HIN51416	25 Pairs
Top Hung	20 inch	24kg	1200mm	900mm	42°	HIN51220	HIN51420	25 Pairs
Top Hung	24 inch	50kg	1200mm	1500mm	38°	HIN51224	HIN51424	25 Pairs
Side Hung	12 inch	18kg	650mm	1250mm	87°	HIN52212	HIN52412	25 Pairs
Side Hung	16 inch	24kg	700mm	1300mm	84°	HIN52216	HIN52416	25 Pairs

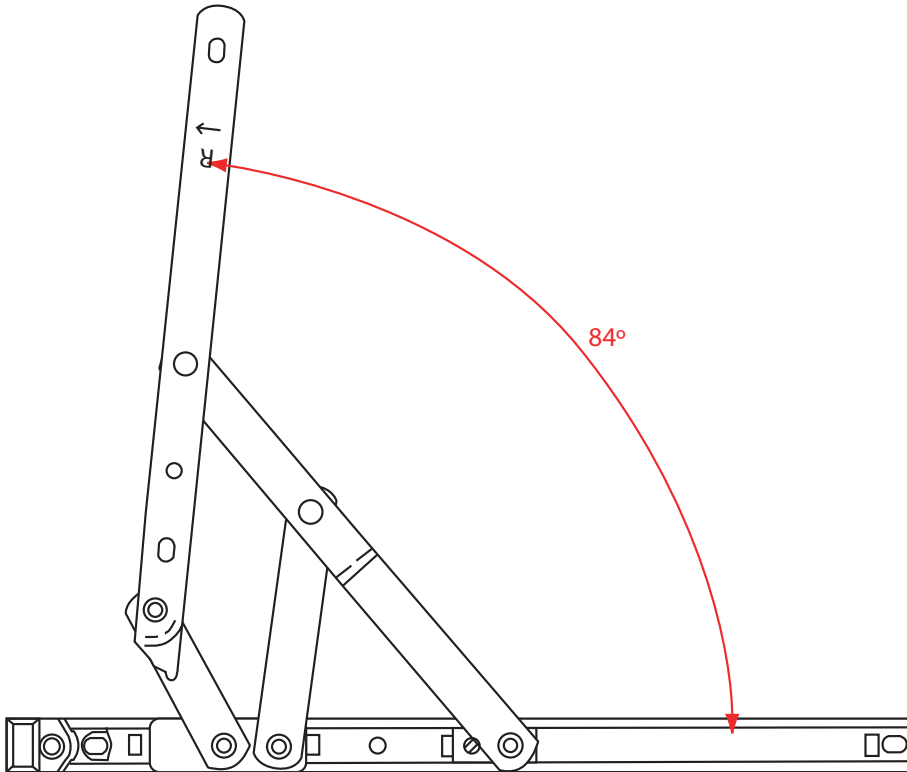
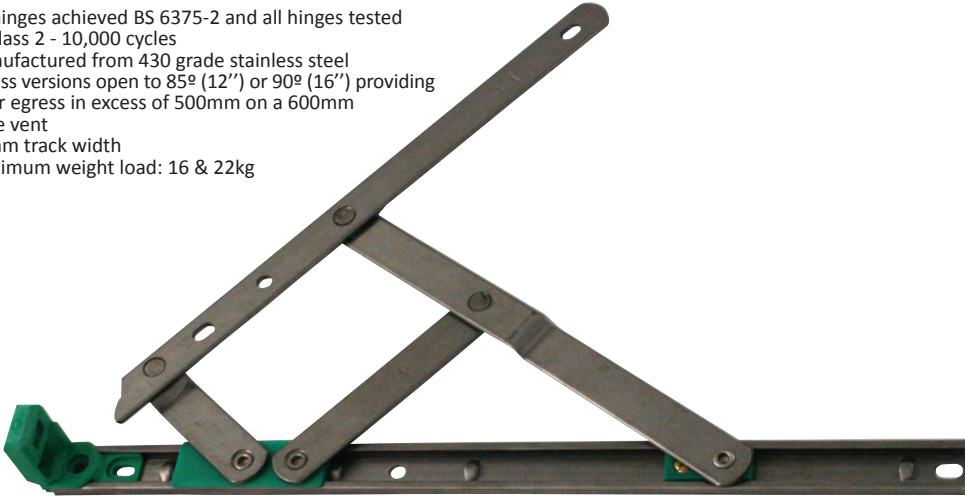
KORE FRICTION HINGES



**Kore Egress Only
Friction Hinges**



- All hinges achieved BS 6375-2 and all hinges tested to Class 2 - 10,000 cycles
- Manufactured from 430 grade stainless steel
- Egress versions open to 85° (12") or 90° (16") providing clear egress in excess of 500mm on a 600mm wide vent
- 18mm track width
- Maximum weight load: 16 & 22kg



TYPE	SIZE	WEIGHT	MAX VENT		OPENING ANGLE	STACK HEIGHT		BOX QTY.
			WIDTH	HEIGHT		13mm	17mm	
Side Hung	12 inch	16kg	600mm	1250mm	84°	HIN52612	HIN52712	25 Pairs
Side Hung	16 inch	22kg	650mm	1300mm	88°	HIN52616	HIN52716	25 Pairs

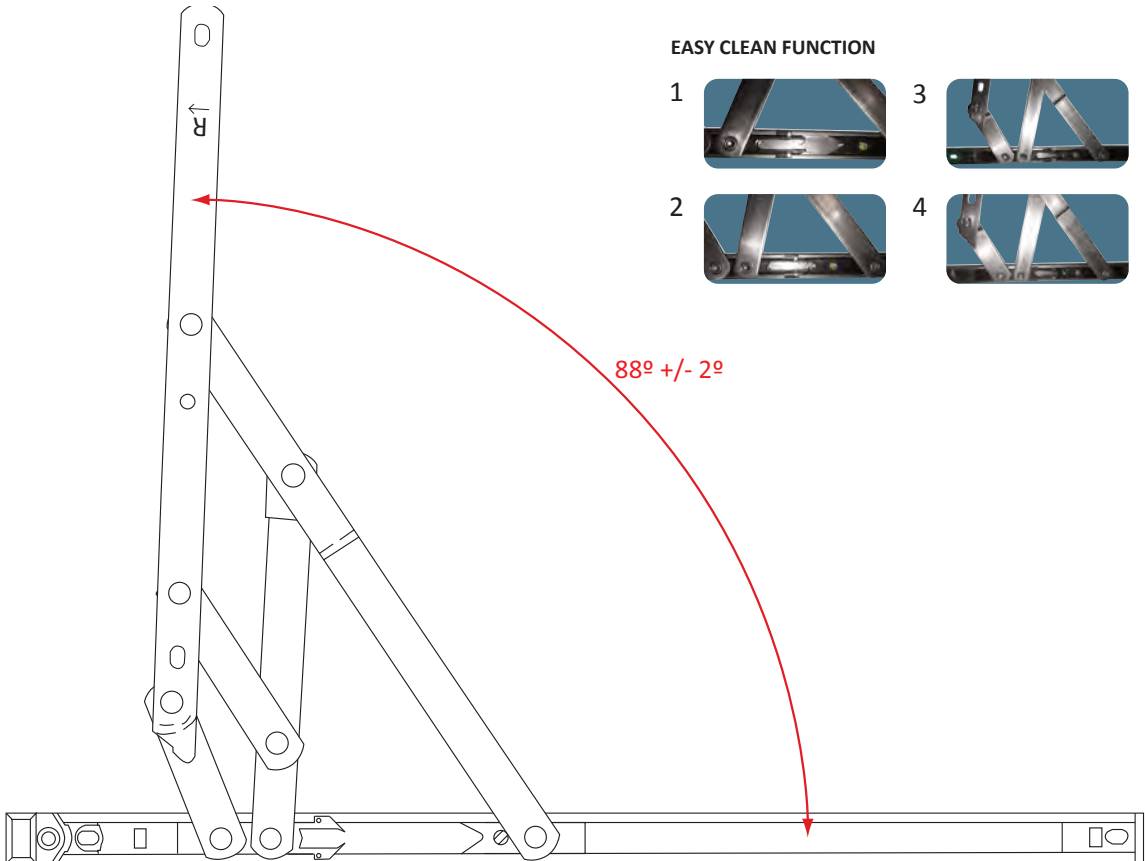
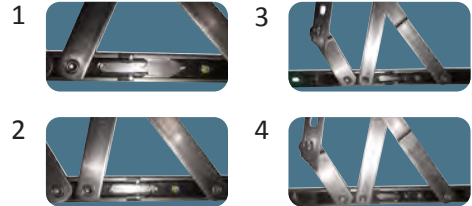


Kore Egress Easy Clean Friction Hinges



- All hinges achieved BS 6375-2 and all hinges tested to Class 2 - 10,000 cycles
- Manufactured from 430 grade stainless steel
- Egress versions open to 85° (12'') or 90° (16'') providing clear egress in excess of 500mm on a 600mm wide vent
- Patented easy clean mechanism allows window to slide across without the need to operate any awkward buttons
- 18mm track width
- Maximum weight load: 18 & 21kg

EASY CLEAN FUNCTION



TYPE	SIZE	WEIGHT	MAX VENT		OPENING ANGLE	STACK HEIGHT		BOX QTY.
			WIDTH	HEIGHT		13mm	17mm	
Side Hung	12 inch	18kg	600mm	1200mm	80°	HIN52612EC	HIN52712EC	25 Pairs
Side Hung	16 inch	21kg	700mm	1300mm	88°	HIN52616EC	HIN52716EC	25 Pairs

COTSWOLD FRICTION HINGES



Sinidex Standard Friction Hinges

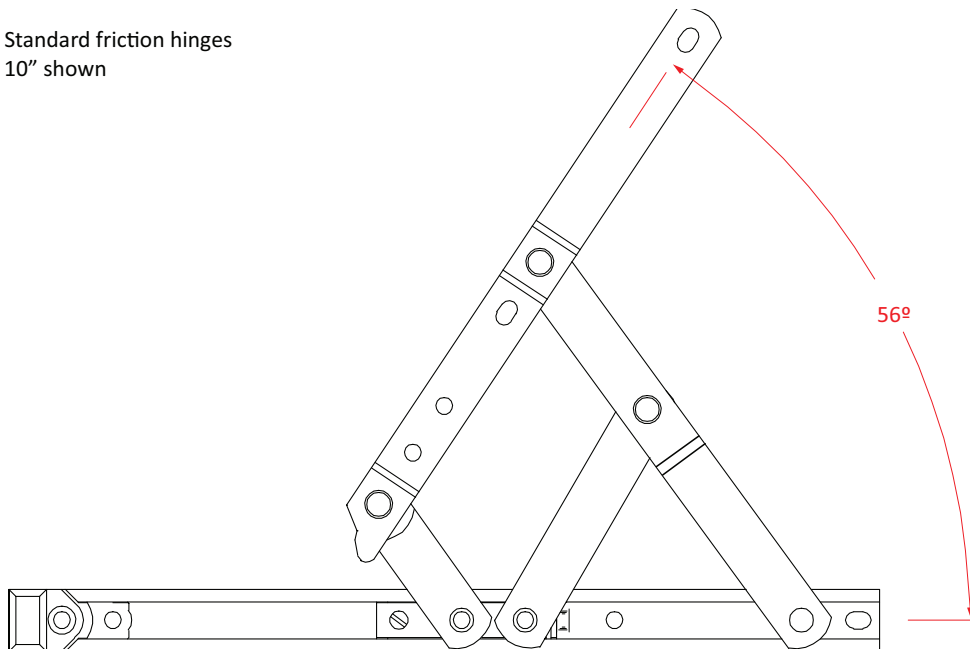
10
YEAR GUARANTEE



- BBA approved, conforms to BS 6375 parts 1 & 2 proven to a lifetime 30,000 cycle guarantee
- Corrosion resistant to BS 7479, manufactured using ferritic 430 stainless steel
- Salt spray tested to 240 hours Grade 4 BS EN 1670
- 18mm track width
- Maximum weight load: 10-50kg
- 10 year guarantee



Standard friction hinges
10" shown



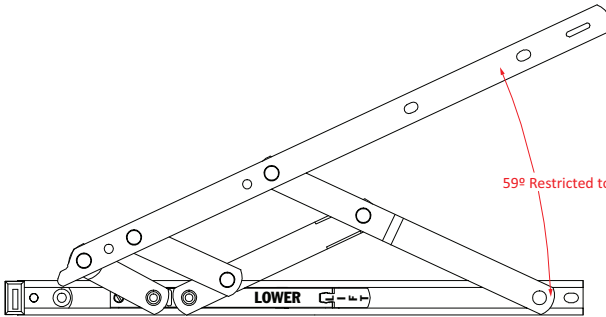
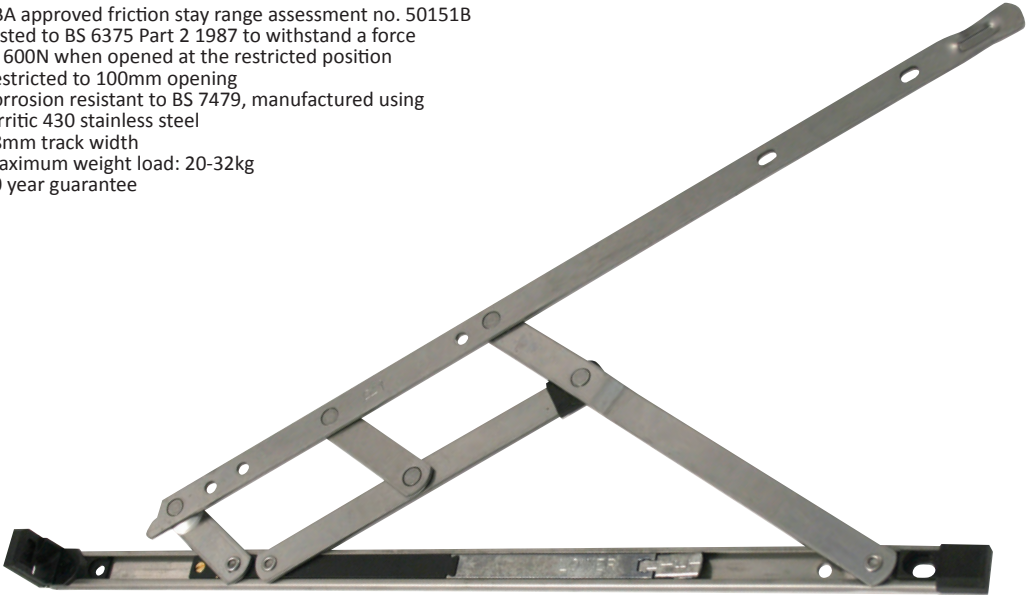
TYPE	SIZE	WEIGHT	MAX VENT		OPENING ANGLE	STACK HEIGHT		BOX QTY.
			WIDTH	HEIGHT		13mm	17mm	
Top Hung	8 inch	10kg	1200mm	300mm	62°	HIN06108	HIN07108	50 Pairs
Top Hung	10 inch	16kg	1200mm	450mm	56°	HIN06110	HIN07110	50 Pairs
Top Hung	12 inch	21kg	1200mm	600mm	64°	HIN06112	HIN07112	25 Pairs
Top Hung	16 inch	22kg	1200mm	750mm	51°	HIN06116	HIN07116	25 Pairs
Top Hung	20 inch	24kg	1200mm	900mm	42°	HIN06120	HIN07120	25 Pairs
Top Hung	24 inch	50kg	1200mm	1500mm	38°	HIN06124	HIN07124	25 Pairs
Side Hung	12 inch	20kg	650mm	1250mm	60°	HIN06212	HIN07212	25 Pairs
Side Hung	16 inch	26kg	700mm	1300mm	51°	HIN06216	HIN07216	25 Pairs



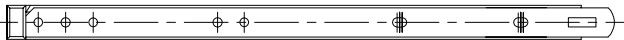
Sinidex Restricted Friction Hinges



- BBA approved friction stay range assessment no. 50151B
- Tested to BS 6375 Part 2 1987 to withstand a force of 600N when opened at the restricted position
- Restricted to 100mm opening
- Corrosion resistant to BS 7479, manufactured using ferritic 430 stainless steel
- 18mm track width
- Maximum weight load: 20-32kg
- 10 year guarantee



Top view of fourth arm vent fixing holes.



All Dimensions in mm

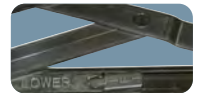
Restricted Operation

- 1 To release the restricted mechanism, (A) pull the window towards you slightly, (B) gently lift the restrictor catch and push the window open
- 2 Pull the window fully closed to activate the automatic re-set facility

A



B



TYPE	SIZE	WEIGHT	MAX VENT		OPENING ANGLE	RESTRICTED ANGLE	13mm STACK HEIGHT		BOX QTY.
			WIDTH	HEIGHT			LEFT HAND	RIGHT HAND	
Top/Side Hung	12 inch	20kg	1200mm	600mm	59°	11°	HIN06512L	HIN06512R	50 Each
Top/Side Hung	16 inch	24kg	1200mm	750mm	48°	10°	HIN06516L	HIN06516R	50 Each
Side Hung	20 inch	24kg	1200mm	900mm	45°	8.5°	HIN06520L	HIN06520R	50 Each
Side Hung	24 inch	32kg	1200mm	1200mm	45°	7.6°	HIN06524L	HIN06524R	50 Each
17mm STACK HEIGHT									
Top/Side Hung	12 inch	20kg	1200mm	600mm	59°	11°	HIN07512L	HIN07512R	50 Each
Top/Side Hung	16 inch	24kg	1200mm	750mm	48°	10°	HIN07516L	HIN07516R	50 Each
Side Hung	20 inch	24kg	1200mm	900mm	45°	8.5°	HIN07520L	HIN07520R	50 Each
Side Hung	24 inch	32kg	1200mm	1200mm	45°	7.6°	HIN07524L	HIN07524R	50 Each

COTSWOLD FRICTION HINGES

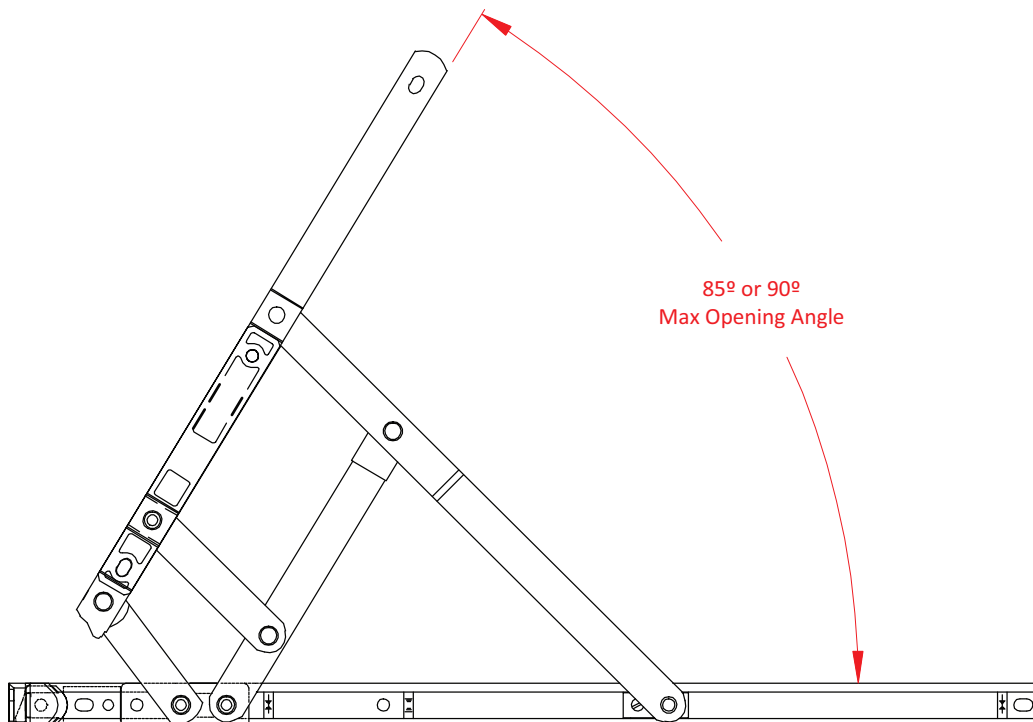


Sinidex Egress Only Friction Hinge

10
YEAR GUARANTEE



- All hinges achieved BS 6375-2 and all hinges tested to Class 2 - 10,000 cycles
- Manufactured from 430 grade stainless steel
- Egress versions open to 85° (12") or 90° (16") providing clear egress in excess of 500mm on a 600mm wide vent
- 18mm track width
- Maximum weight load: 21kg



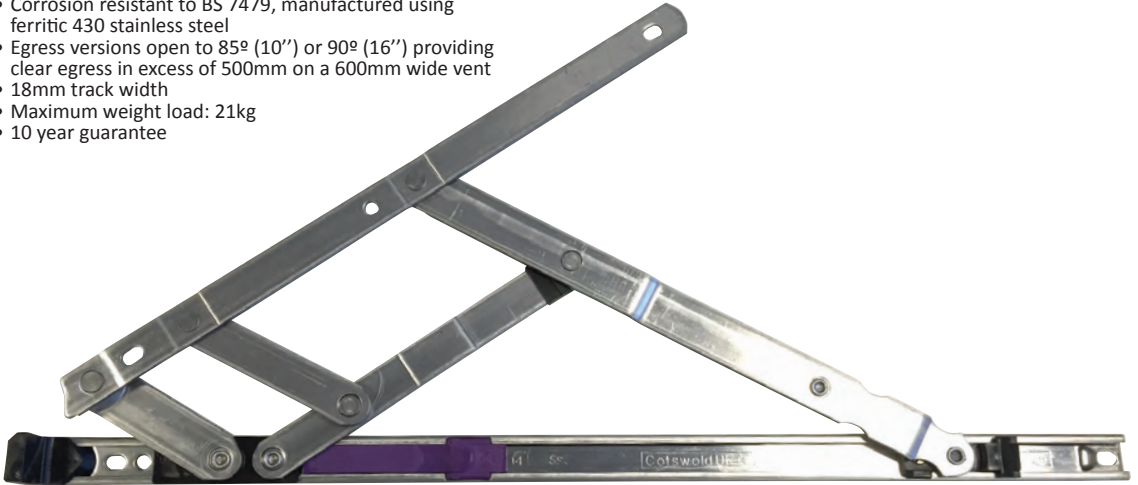
TYPE	SIZE	WEIGHT	MAX VENT		OPENING ANGLE	STACK HEIGHT		BOX QTY.
			WIDTH	HEIGHT		13mm	17mm	
Side Hung	10 inch	21kg	600mm	1200mm	85°	HIN06410	HIN07410	50 Pairs
Side Hung	16 inch	21kg	600mm	1200mm	90°	HIN06416	HIN07416	25 Pairs



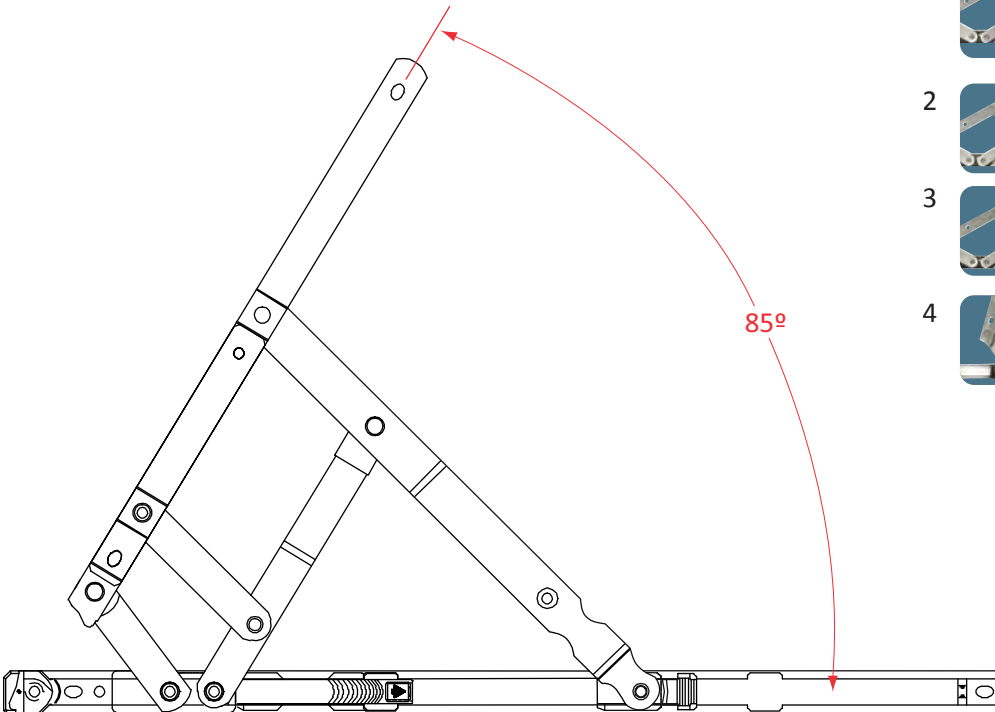
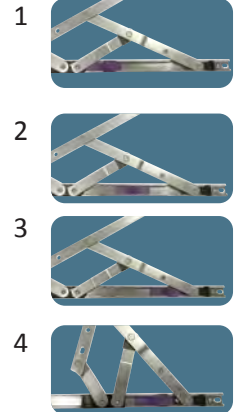
Sinidex Egress Easy Clean Friction Hinges



- BBA approved friction stay range assessment no. 50151B
- Corrosion resistant to BS 7479, manufactured using ferritic 430 stainless steel
- Egress versions open to 85° (10") or 90° (16") providing clear egress in excess of 500mm on a 600mm wide vent
- 18mm track width
- Maximum weight load: 21kg
- 10 year guarantee



Easy Clean Function



TYPE	SIZE	WEIGHT	MAX VENT		OPENING ANGLE	STACK HEIGHT		BOX QTY.
			WIDTH	HEIGHT		13mm	17mm	
Side Hung	10 inch	21kg	600mm	1200mm	80°	HIN06412EC	HIN07412EC	50 Pairs
Side Hung	16 inch	21kg	600mm	1200mm	84°	HIN06416EC	HIN07416EC	25 Pairs



Sinidex Egress Easy Clean Extreme Friction Hinges

10
YEAR GUARANTEE

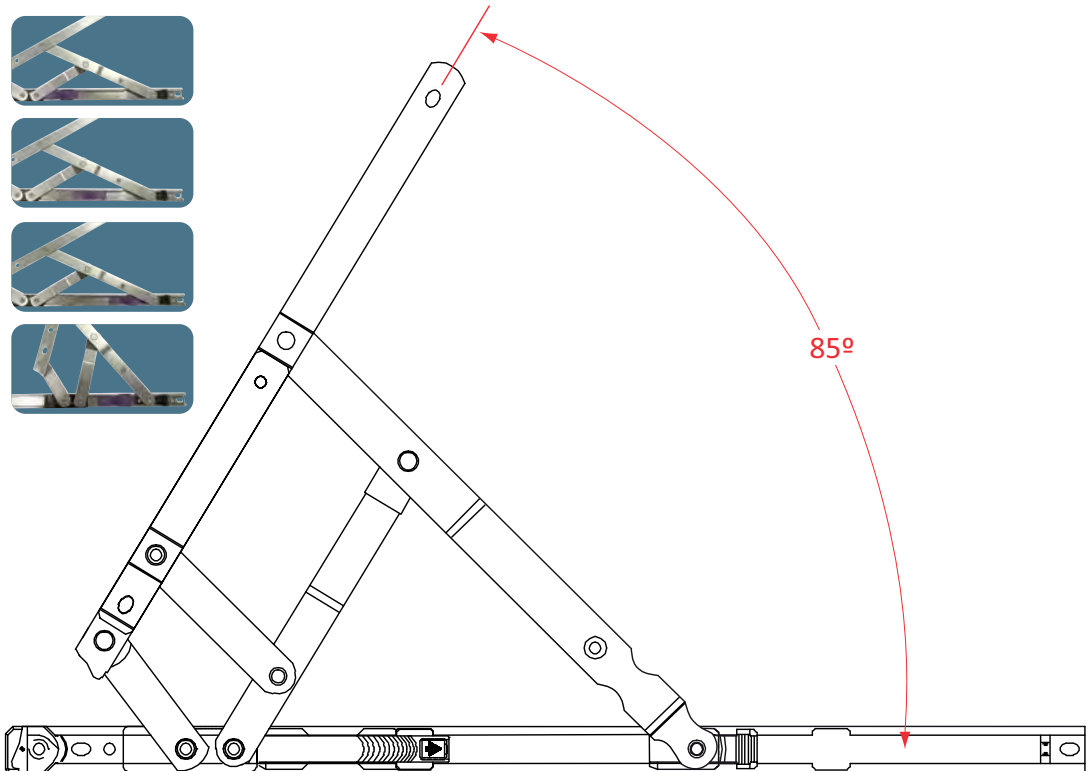
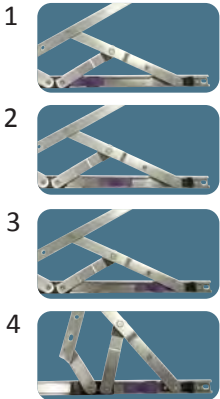
BBA
Approved

Suitable for
triple glazing

- BBA approved friction stay range assessment no. 50151B
- Corrosion resistant to BS 7479
- Increased weight carrying capabilities on both 12" (30kg) & 16" (35kg) hinges
- Patented operation using purple slider to achieve easy clean function
- 18mm track width
- Maximum weight load: 30 & 35kg
- 10 year guarantee



Easy Clean Function



TYPE	SIZE	MAX VENT		OPENING ANGLE	STACK HEIGHT		BOX QTY.
		WEIGHT	WIDTH		13mm	17mm	
Side Hung	12 inch	30kg	700mm	85°	HIN06412ECEX	HIN07412ECEX	25 Pairs
Side Hung	16 Inch	35kg	800mm	85°	HIN06416ECEX	HIN07416ECEX	25 Pairs

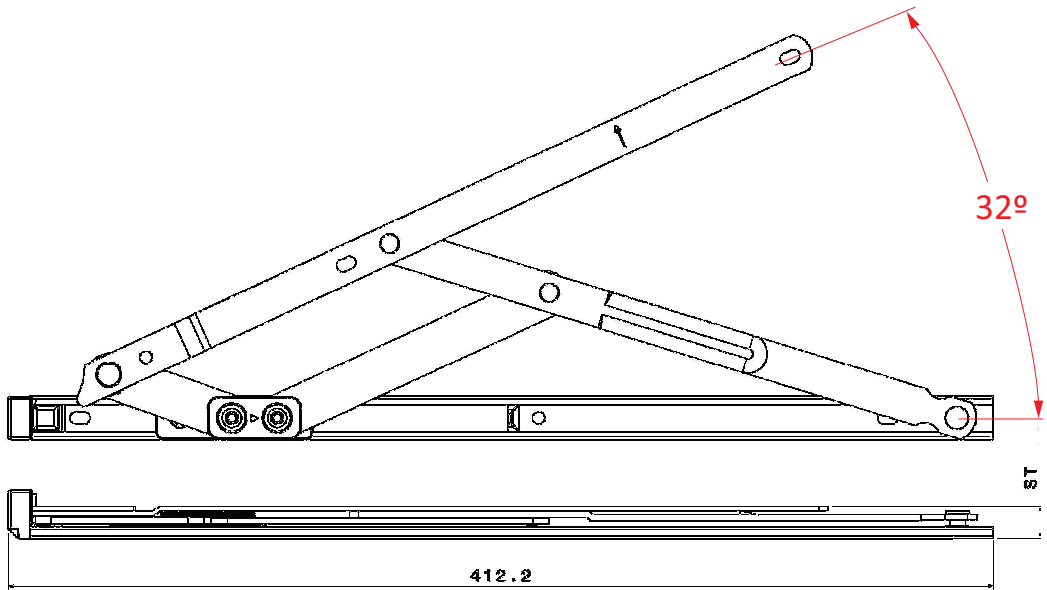
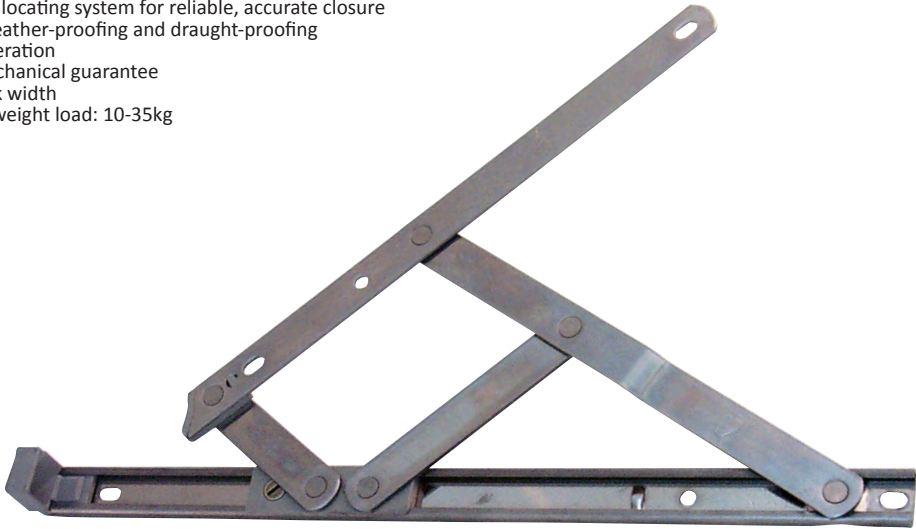
10
YEAR GUARANTEE



Defender Friction Hinge



- A foolproof locating system for reliable, accurate closure
- Effective weather-proofing and draught-proofing
- Smooth operation
- 10 year mechanical guarantee
- 18mm track width
- Maximum weight load: 10-35kg



TYPE	SIZE	WEIGHT	MAX VENT		OPENING ANGLE	STACK HEIGHT		BOX QTY.
			WIDTH	HEIGHT		13mm	17mm	
Top Hung	6 inch	10kg	300mm	150mm	50°	HIN81206	-	50 Pairs
Top Hung	8 inch	12kg	350mm	200mm	50°	HIN81208	HIN81408	25 Pairs
Top Hung	10 inch	16kg	400mm	275mm	80°	HIN81210	HIN81410	25 Pairs
Top Hung	12 inch	20kg	550mm	350mm	80°	HIN81212	HIN81412	25 Pairs
Top Hung	16 inch	21kg	750mm	500mm	80°	HIN81216	HIN81416	25 Pairs
Top Hung	20 inch	24kg	1000mm	700mm	50°	HIN81220	HIN81420	25 Pairs
Top Hung	24 inch	35kg	1200mm	850mm	37.5°	HIN81224	HIN81424	25 Pairs
Side Hung	12 inch	22kg	600mm	300mm	60°	HIN82212	HIN82412	25 Pairs
Side Hung	16 inch	24kg	700mm	400mm	60°	HIN82216	HIN82416	25 Pairs

SECURISTYLE FRICTION HINGES

Securistyle Defender Slimline Friction Hinge

10
YEAR GUARANTEE

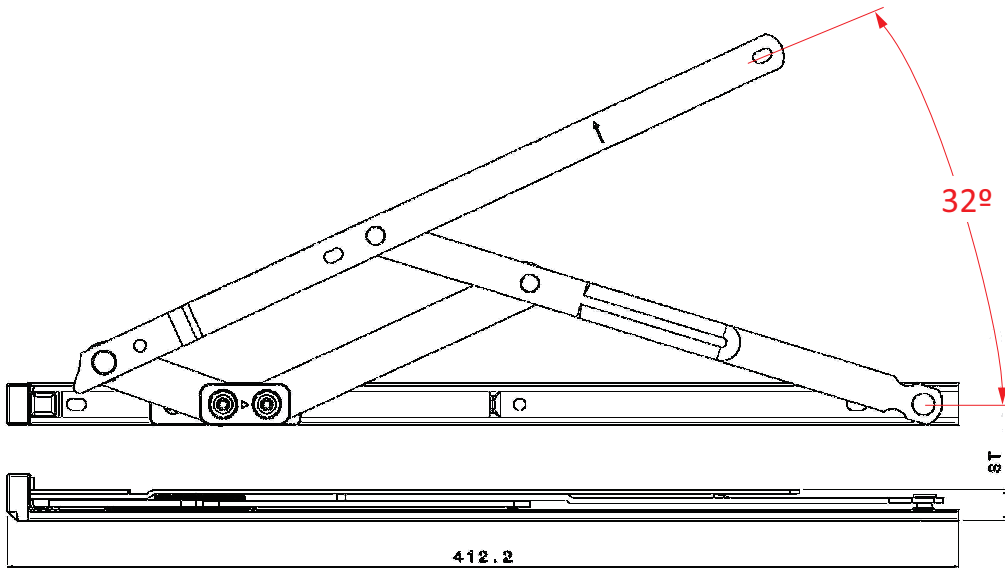
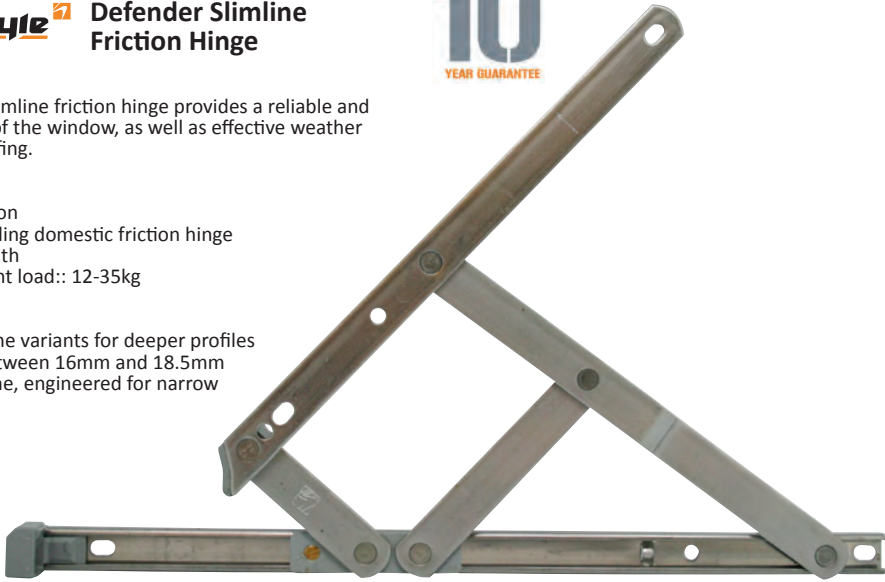
This Securistyle slimline friction hinge provides a reliable and accurate closure of the window, as well as effective weather and draught proofing.

Features:

- Smooth operation
- World's best-selling domestic friction hinge
- 15mm track width
- Maximum weight load:: 12-35kg

Variations:

- Defender highline variants for deeper profiles with cavities between 16mm and 18.5mm
- Defender slimline, engineered for narrow profile channels



TYPE	SIZE	WEIGHT	MAX VENT WIDTH	HEIGHT	OPENING ANGLE	STACK HEIGHT 17mm	BOX QTY.
Top Hung	8 inch	12kg	350mm	200mm	50°	HIN81508	25
Top Hung	10 inch	16kg	400mm	275mm	80°	HIN81510	25
Top Hung	12 inch	20kg	550mm	350mm	80°	HIN81512	25
Top Hung	16 inch	21kg	750mm	500mm	80°	HIN81516	25
Top Hung	20 inch	24kg	1000mm	700mm	50°	HIN81520	25
Top Hung	24 inch	35kg	1200mm	850mm	37.5°	HIN81524	25
Side Hung	10 inch	22kg	600mm	300mm	60°	HIN82512	25
Side Hung	16 inch	24kg	700mm	400mm	60°	HIN82516	25

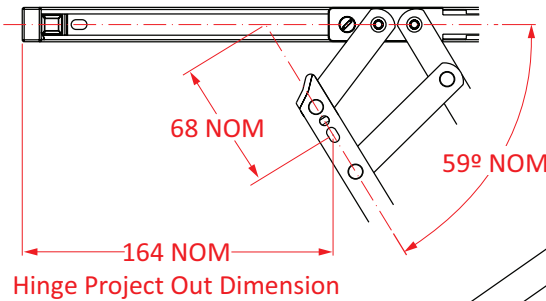
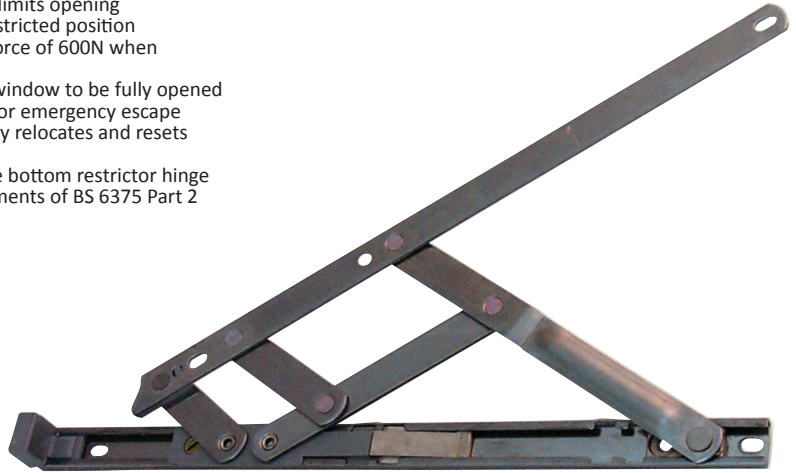
10
YEAR GUARANTEE



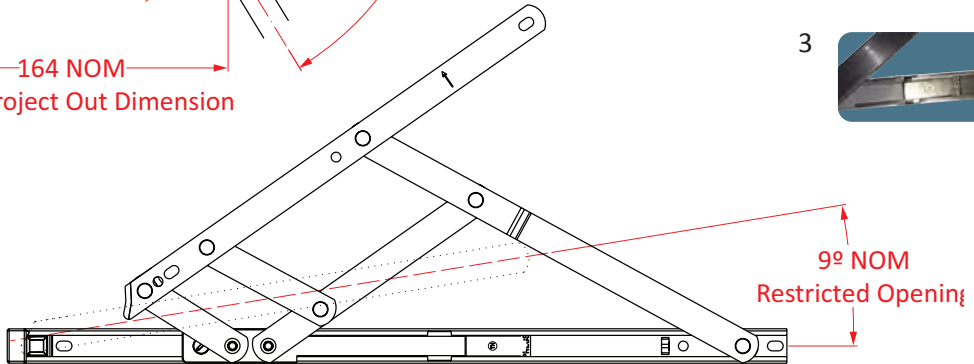
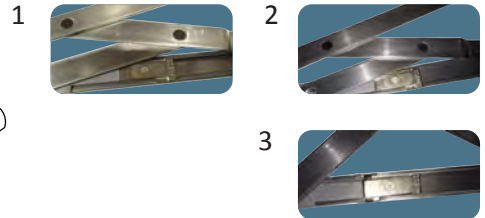
Defender Restricted Friction Hinge



- Built-in child-resistant mechanism limits opening to a maximum of 100mm in the restricted position
- Tested to BS 6375 to withstand a force of 600N when opened to its restricted position
- Built-in quick release levers allow window to be fully opened for easy cleaning, total ventilation or emergency escape
- Restrictor mechanism automatically relocates and resets as the window is closed
- On side hung applications, only the bottom restrictor hinge needs fitting to satisfy the requirements of BS 6375 Part 2
- 18mm track width
- Maximum weight load: 20-35kg
- 10 year mechanical guarantee



Restricted Operation



TYPE	SIZE	WEIGHT	MAX VENT		OPENING ANGLE	RESTRICTED ANGLE	STACK HEIGHT		BOX QTY.
			WIDTH	HEIGHT			13mm	17mm	
Top Hung	12 inch	20kg	550mm	350mm	65°	15°	HIN81812	HIN81812H	25 Pairs
Top Hung	16 inch	21kg	750mm	500mm	60°	10°	HIN81816	HIN81816H	25 Pairs
Top Hung	20 inch	24kg	1000mm	700mm	50°	8°	HIN81820	HIN81820H	25 Pairs
Top Hung	24 inch	35kg	1200mm	850mm	37.5°	7°	HIN81824	HIN81824H	25 Pairs
Side Hung - LH	12 inch	22kg	600mm	300mm	60°	13°	HIN82812	HIN82812H	50 Each
Side Hung - RH	12 inch	22kg	600mm	300mm	60°	13°	HIN83812	HIN83812H	50 Each
Side Hung - LH	16 inch	24kg	700mm	400mm	60°	12°	HIN82816	HIN82816H	50 Each
Side Hung - RH	16 inch	24kg	700mm	400mm	60°	12°	HIN83816	HIN83816H	50 Each
Side Hung	16 inch	24kg	700mm	400mm	60°	12°	-	HIN84816H	25 Pairs
Side Hung	16 inch	24kg	700mm	400mm	60°	12°	-	HIN85816H	25 Pairs

Securistyle Defender Egress Easy Clean Friction Hinge

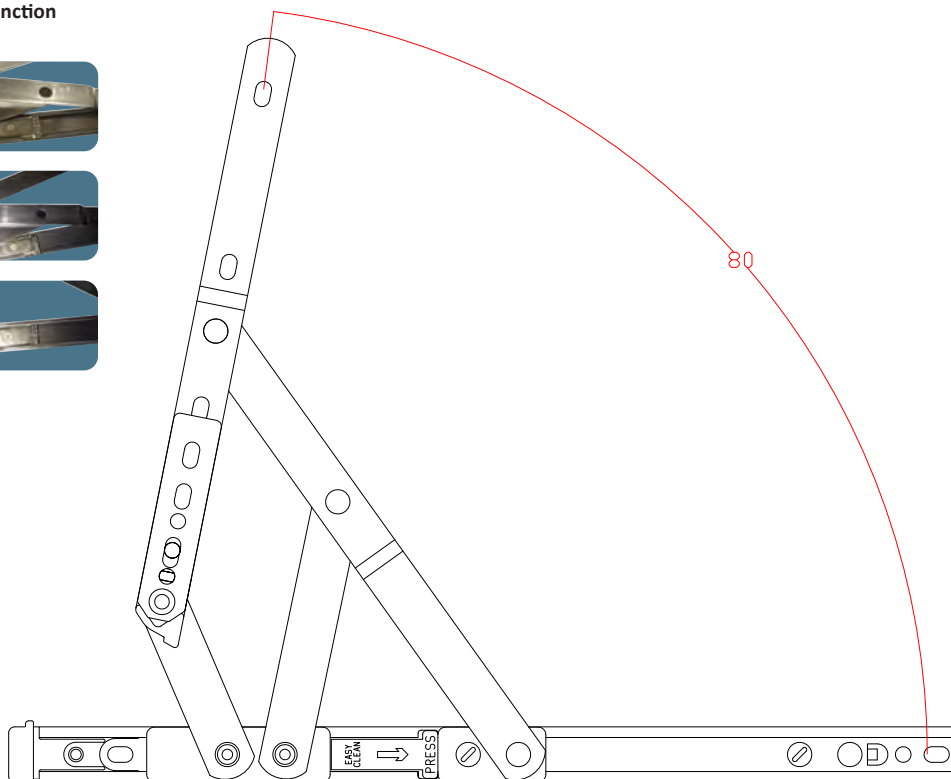
10
YEAR GUARANTEE



- Unique controllable friction device eliminates need for a peg stay to hold the window open
- Unique locating system for reliable closing
- Built-in second slider – invisible when the window is closed – gives easy clean facility at the press of a lever
- 18mm track width
- Maximum weight load: 22 & 24kg
- 10 year mechanical guarantee



Easy Clean Function



TYPE	SIZE	WEIGHT	MAX VENT		OPENING ANGLE	STACK HEIGHT			BOX QTY.
			WIDTH	HEIGHT		13mm	16mm	17mm	
Side Hung	12 inch	22kg	300mm	600mm	80°	HIN82712	HIN82712G	HIN82712H	25 Pairs
Side Hung	16 inch	24kg	400mm	700mm	90°	HIN82716	HIN82716G	HIN82716H	25 Pairs



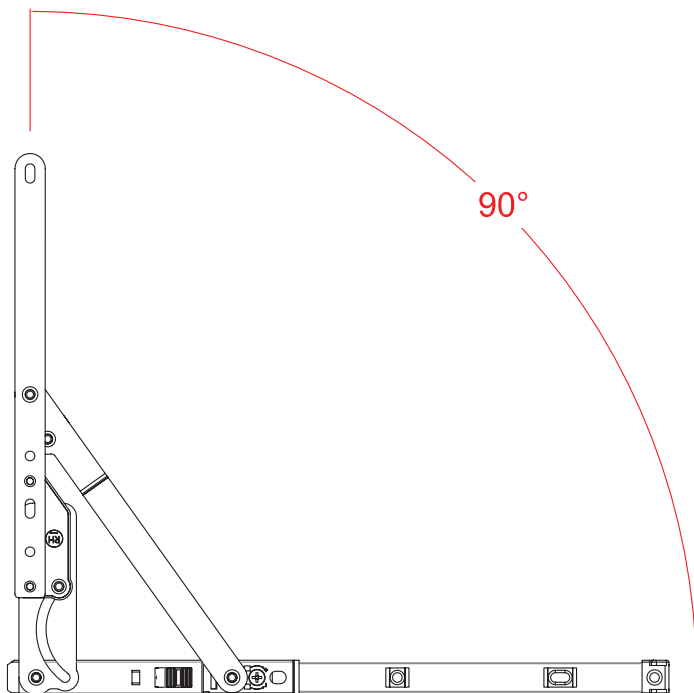
Trojan Mega Easy Clean Friction Hinge



- Good for triple glazed applications
- Suitable for all side hung applications
- Maximum weight load 33 & 40kg
- Due to its superior integral strength, one hinge covers all frame widths up to 900mm
- 10 year mechanical guarantee

Recommendations:

Immobilizer to be fitted to Easy Clean feature on sash widths above 600mm
 80° restrictor to be fitted where sash would otherwise clash with wall on full opening.



TYPE	SIZE	MAX VENT		OPENING ANGLE	STACK HEIGHT		BOX QTY.
		WEIGHT	WIDTH		13.5mm	16.5mm	
Side Hung - Egress Only	8 inch	33kg	600mm	90°	HIN01135	HIN01165	25 Pairs
Side Hung - Egress Easy Clean	13 inch	40kg	900mm	90°	HIN00135	HIN00165	25 Pairs
						PART CODE	
Mega Egress Immobilizer					HIN00100		1



Nemesis Twin Cam Espagnolette Bar



BS EN 1670:2007

This multi-point window lock from Kenrick fulfils fabricator demand for a high-quality locking system capable of delivering the superior performance and proven reliability fit for increasingly popular high-end aluminium windows. PAS 24:2016 and SBD accredited, the crime preventing credentials of this security window lock are second to none. It's fitter-friendly too, with a fast-fix design and adjustable mushroom cams to +/- 1mm, ensuring even compression and an optimum seal.

Key Features

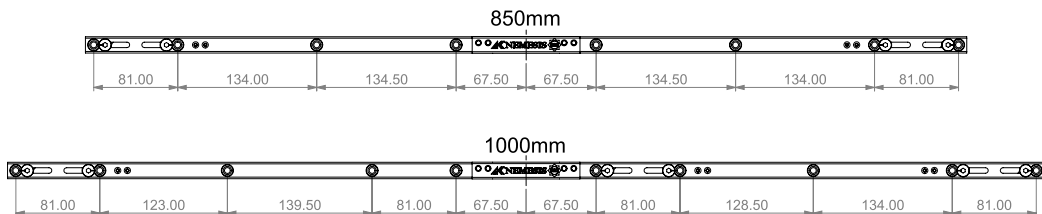
- Multi-point locking system with a robust offset gearbox suitable for aluminium profiles
- High-security bi-directional twin cam
- U-Rail faceplate which also works within a eurogroove
- Available with 5 or 7mm cam heights
- Made from durable high-grade 304 austenitic stainless steel

Guarantees & Certificates

- Security tested to PAS 24: 2016 & Secured by Design certified
- Tested to 100,000 cycles with 10-year mechanical guarantee
- Corrosion resistant to BS EN 1670: 2007 Grade 4 240 hours salt spray



For further technical drawings please ask our sales office or visit www.windowware.co.uk



SIZE	HANDING	MUSHROOM HEIGHT		NUMBER OF KEEPS REQUIRED	BOX QTY
		5mm	7mm		
280mm	Left	KNE2050280L	KNE2070280L	2 per lock	20
280mm	Right	KNE2050280R	KNE2070280R	2 per lock	20
400mm	Left	KNE2050400L	KNE2070400L	2 per lock	20
400mm	Right	KNE2050400R	KNE2070400R	2 per lock	20
550mm	Left	KNE2050550L	KNE2070550L	2 per lock	20
550mm	Right	KNE2050550R	KNE2070550R	2 per lock	20
700mm	Left	KNE2050700L	KNE2070700L	2 per lock	20
700mm	Right	KNE2050700R	KNE2070700R	2 per lock	20
850mm	Left	KNE2050850L	KNE2070850L	2 per lock	20
850mm	Right	KNE2050850R	KNE2070850R	2 per lock	20
1000mm	Left	KNE2051000L	KNE2071000L	3 per lock	20
1000mm	Right	KNE2051000R	KNE2071000R	3 per lock	20
1150mm	Left	KNE2051150L	KNE2071150L	3 per lock	20
1150mm	Right	KNE2051150R	KNE2071150R	3 per lock	20
1300mm	Left	KNE2051300L	KNE2071300L	4 per lock	20
1300mm	Right	KNE2051300R	KNE2071300R	4 per lock	20

Please contact our sales department for a keep to suit your profile



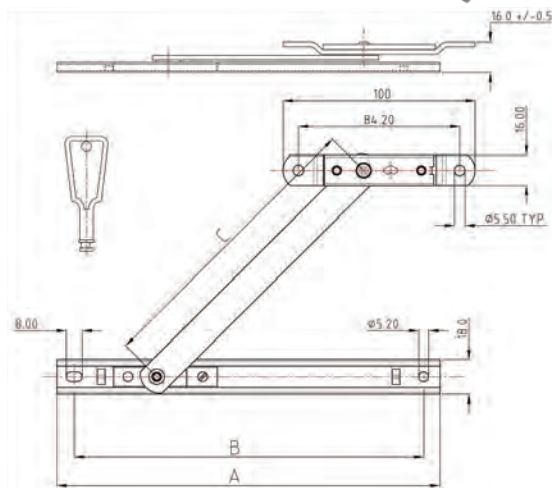
BRAND	TYPE				SIZE					HAND-ING			FINISH			RESTRICTION			SUIT-ABLE		PART CODES	PAGE				
	RELEASABLE	NON-LOCKING	LOCKING	CABLE	FIXED	6 INCH	8 INCH	10 INCH	14 INCH	200MM	UPSTAND (MM)	LEFT	RIGHT	NON	WHITE	BROWN	TAN	ANGLE	DISTANCE (mm)	FORCE (N)			WINDOWS	DOORS	BS EN	
Cotswold	•		•			•								•							•			CRS21060	22	
Cotswold	•		•				•							•							•			CRS21080	22	
Cotswold		•			•			•						•				90°			•	•		STY23103	22	
Cotswold		•			•				•					•				90°			•	•		STY23143	22	
CubeLock	•		•	•						•				•	•			89	1971		•			13126-5	RST90000	23
CubeLock	•		•	•						•				•	•			89	1971		•			13126-5	RST91000	23
CubeLock	•		•	•						•				•	•			89	1971		•			13126-5	RST92000	23
J Banks	•		•									•						100			•			6375	RST50001	24
J Banks	•		•										•					100			•			6375	RST50002	24
Kore	•	•										•									•			6375	RST42011	24
Kore	•	•											•								•			6375	RST42012	24
Kore	•	•								17-21				•	•						•	•			SJA95000	25
Kore	•	•								17-21				•		•					•	•			SJA95009	25
Kore	•	•								17-21				•		•					•	•			SJA95008	25
Kore	•		•							17-21				•	•						•	•			SJA95110	25
Kore	•		•							17-21				•		•					•	•			SJA95119	25
Kore	•		•							17-21				•		•					•	•			SJA95118	25
Yale	•	•								17-21				•	•						•	•			SJA92000	25
Yale	•		•							17-21				•	•						•	•			SJA92100	25
Yale	•		•							17-21				•	•						•	•			SJA92109	25



Cotswold Architectural Products

Releasable Stay

- Locking friction arm mechanism is released using the key
- This allows the vent to open to its full opening potential, facilitating the cleaning of the exterior glass from inside the property, before being re-engaged to retain the restricted opening
- For use in a 16mm cavity
- Manufactured in austenitic steel
- Non-handed product
- Easy to fit, no routing required
- Can be used on windows without reinforcement



SIZE	DIM A	DIM B	DIM C	PART CODE	BOX QTY.
6 inch	49.5	140.5	101.6	CRS21060	25 Pairs
8 inch	199.5	182.0	152.0	CRS21080	25 Pairs
KEY	-	-	-	CRS21999	250

Cotswold Architectural Products

Restrictor Stay

- 90° door restrictor
- Suitable for use on doors or side hung windows
- Concealed when the door or vent is closed and offers no internal obstruction when opened
- Suitable for PVCu
- Non-handed
- Simple and fast to fit



14 inch version

10 inch version

10 inch	14 inch	BOX QTY.
STY23103	STY23143	100



BS EN 13126-5:2011



1971N

Window Restrictors



- Suitable for use on wood, aluminium, PVCu and steel window frames
- Cable length: 200mm
- Allows maximum 89mm opening to comply with child safety function of BS EN 13126-5:2011
- Independently tested to withstand a breaking force of 1971N
- (RST90000) CLS1 and (RST91000) CLS3 combi restrictors are both secured with a standard key mechanism
- (RST92000) CLB1 restrictor has a captive key disc lock mechanism, so the key won't get lost when open
- The sash fixing point for the CLS3 combi Cubelock fits behind the window handle and the locking mechanism fits directly below on the frame
- Includes tamper-proof screws to reduce the likelihood of abuse



CLS1



CLS3



CLB1

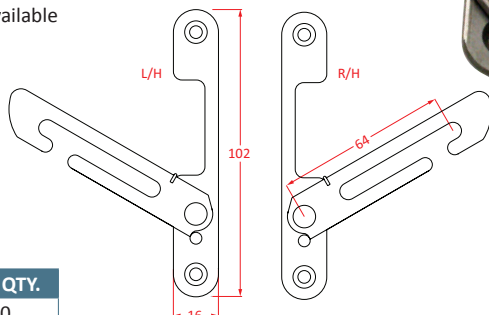
TYPE		LOCK MECHANISM	FINISH	BOX QTY.	PART CODE
	<p>CLS1 Supplied with key, tamper proof screws, and sash & frame parts</p>	Standard Key	White	10	RST90000
	<p>CLS3 Combi Supplied with key, tamper proof screws, and sash & frame parts (handle not included)</p>	Standard Key	White	10	RST91000
	<p>CLB1 Supplied with key, tamper proof screws, and sash & frame parts</p>	Captive Key	White	10	RST92000



Concealed Restrictors

- Spring-loaded releasable arm
- Manufactured from stainless steel
- Complies to BS 6375 : Part 2 : 1987
- Ideal for retrofitting
- Different restrictor stud heights available for different profile stack heights

NB: studs are ordered separately.
See below for details

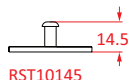
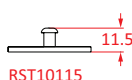
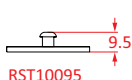


LEFT HAND	RIGHT HAND	BOX QTY.
RST42011	RST42012	50



Concealed Restrictor Studs

- Restrictor stud for use with Kore concealed restrictors
- Profile stud heights related to friction hinge stack height i.e. 13mm stack = 9.5mm and 17mm stack = 14.5mm stud heights



9.5mm	11.5mm	14.5mm	BOX QTY.
RST10095	RST10115	RST10145	50



Res-Lok Concealed Restrictor

- Designed to suit side or top hung applications
- Auto-locking
- Key releasable
- Suitable for PVCu, aluminium & timber
- Eurogroove or surface mounted
- Can be retrofitted
- Restricts sash to 100mm
- Conforms to BS 6375 Part 2:1987
- Constructed from stainless steel & zinc alloy

NB: screws & studs sold separately



LEFT HAND	RIGHT HAND	BOX QTY.
RST50001	RST50002	50

STUDS	BOX QTY.
RST51115	100



Non-locking



Key Locking

Sash Blocker



- Includes 3 sizes of buttons
- Available in white, tan & brown
- Complete with screws & screw covers
- Key locking or non-locking versions
- Suitable for upstands of 17–21mm



TYPE	WHITE	BROWN	TAN	BOX QTY.
Non-locking	SJA95000	SJA95009	SJA95008	10
Locking	SJA95110	SJA95119	SJA95118	10



Non-locking



Key Locking

Sash Blocker



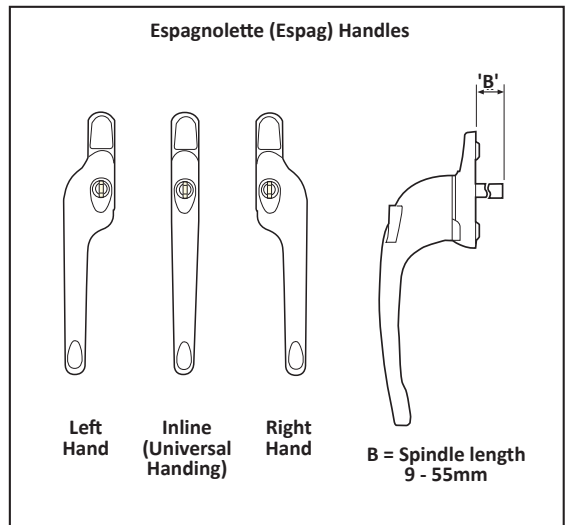
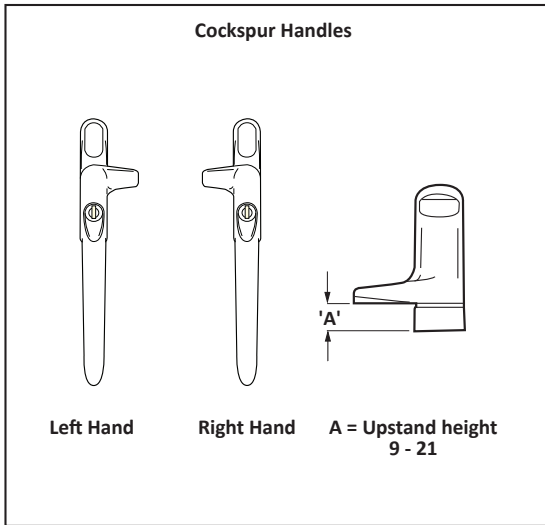
- Suitable for windows and doors
- Offers additional security to both new & existing doors & windows
- Easily retrofitted
- Available in white or brown
- Allen key locking and non-locking versions available
- Suitable for upstands of 17–21mm
- Includes coloured screw cover caps and 3 arm packers, sizes 1.5, 3 & 5mm



TYPE	WHITE	BROWN	BOX QTY.
Non-locking	SJA92000	-	10
Locking	SJA92100	SJA92109	10

WINDOW HANDLE ID AND OVERVIEW

Required Measurements



securistyle

TROJAN
...The Strength of Hardware Design



HANDLE TYPE	HANDING			UPSTAND 'A' (mm)			SPINDLE 'B' (mm)			LOCKING		FINISH						GUARANTEES				BRAND	PAGE
	LEFT	RIGHT	INLINE	9	15.5	21	9	10	15	NON-LOCKING	KEY LOCKING	WHITE	CHROME	SILVER	GOLD	BRASS	BLACK	MECHANICAL	CORROSION BS EN	BBA	SBD		
Cockspur	•	•		•	•	•				•	•	•	•	•	•	•	•	10 Years	1670			Trojan	27
	•	•		•		•					•	•	•	•	•	•	•	2 Years	240hrs	•		Securistyle	27
Espagnolette	•	•	•					•	•	•	•	•	•	•	•	•	•	10 Years	1670			Yale	28
	•	•	•				•				•	•	•		•	•	•	10 Years	240hrs		•	Securistyle	29

Trojan Sparta
Locking/Non-locking
Cockspur Handles



- Ergonomically designed, push to release espagnolette handle
- Positive Stop ensures correct closure position
- High quality die-cast barrel



UPSTAND	BUTTON COLOUR	BLACK	BLACK	BLACK	BLACK	BOX QTY.
	HANDING/ COLOUR	WHITE	CHROME	PVD GOLD	BLACK	
9mm	Left Hand	HDL09903	-	-	-	10
9mm	Right Hand	HDL09904	-	-	-	10
15.5mm	Left Hand	HDL15903	HDL15923	-	HDL15953	10
15.5mm	Right Hand	HDL15904	HDL15924	-	HDL15954	10
21mm	Left Hand	HDL21703	HDL21713	HDL21793	-	10
21mm	Right Hand	HDL21704	HDL21714	HDL21794	-	10
ACCESSORIES		WHITE	CHROME	GOLD	BLACK	
Cover Caps		ESP99700	ESP99702	ESP99709	ESP99705	80
Key		-	ESP99799	-	-	1

2

YEAR GUARANTEE

Securistyle Virage
Locking
Cockspur Handles



- Ergonomically designed, push to release espagnolette handle
- Positive Stop ensures correct closure position
- High quality diecast barrel
- 2 year guarantee



UPSTAND	BUTTON COLOUR	WHITE	BLACK	BLACK	BLACK	BOX QTY.
	HANDING/ COLOUR	WHITE	BLACK	SILVER	GOLD	
9mm	Left Hand	HDL10903	HDL10953	HDL10913	HDL10993	25
9mm	Right Hand	HDL10904	HDL10954	HDL10914	HDL10994	25
21mm	Left Hand	HDL21903	-	-	HDL21903	25
21mm	Right Hand	HDL21904	-	-	HDL21904	25



Striker plates
for Cockspur Handles



COLOUR	2mm	3mm	4mm	5mm	6mm	8mm	BOX QTY.
White	STR10012	STR10013	STR10024	STR10035	STR10046	STR10068	100
White	-	STR100013	STR100024	STR100035	STR100046	-	1000
Black	-	STR15013	-	STR15035	-	STR15068	100



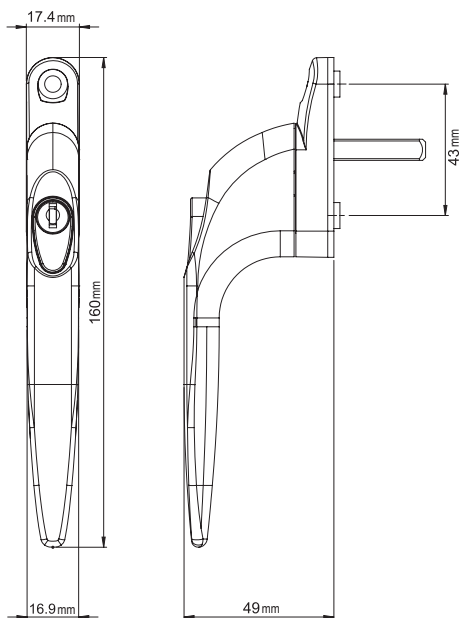
Yale Quartus Espagnolette Handle



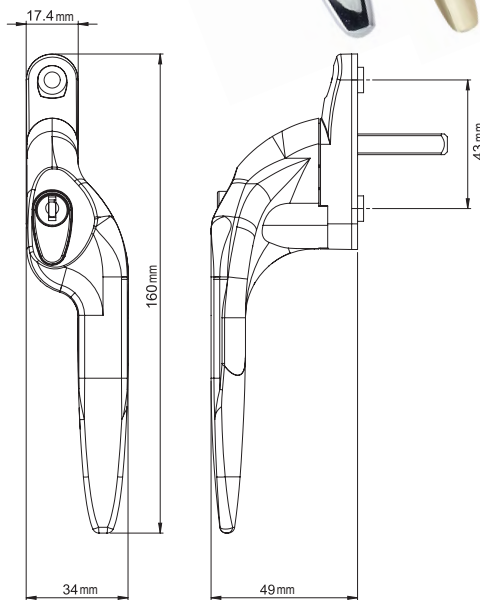
- Key lockable window handle for added security and safety
- Push to unlatch
- Available in inline or cranked/offset designs
- Supplied with 1 x Yale-branded key, screws, colour-matched screw cover caps, cylinder plug matched to the button and a green plug to denote a egress fire escape window
- Spare keys and screw cover caps available on request
- Cylinder plugs convert handles to a non-locking solution
- Available in a choice of popular solid colours and metallic finishes
- Fixed spindle as standard
- Available from stock in 10, 15, 30 & 40mm spindle lengths, please call for part codes or visit www.windowware.co.uk
- Made from Zinc alloy and Aluminium Alloy
- Designed to suite with existing Yale and Trojan hardware ranges

Warranties and accreditation:

- 10-year mechanical guarantee
- 10-year surface finish guarantee
- Corrosion tested to BS EN 1670:2007 Grade 4 240hrs salt spray
- Performance tested to BS 6375 Part 2 (Classification EN 12400) Class - 20,000 cycles



Inline



Offset

SPINDLE LENGTH	BUTTON COLOUR	WHITE	BLACK	BLACK	BLACK	BLACK	BOX QTY.
	HANDING/ COLOUR	WHITE	F1 SILVER	CHROME	BLACK	CHAMPAGNE GOLD	
10mm	Inline	ESP10500	ESP10510	ESP10520	ESP10550	ESP10590	10
10mm	Left Hand	ESP10503	ESP10513	ESP10523	ESP10553	ESP10593	10
10mm	Right Hand	ESP10504	ESP10514	ESP10524	ESP10554	ESP10594	10
15mm	Inline	ESP15500	ESP15510	ESP15520	ESP15550	ESP15590	10
15mm	Left Hand	ESP15503	ESP15513	ESP15523	ESP15553	ESP15593	10
15mm	Right Hand	ESP15504	ESP15514	ESP15524	ESP15554	ESP15594	10

10
YEAR GUARANTEE

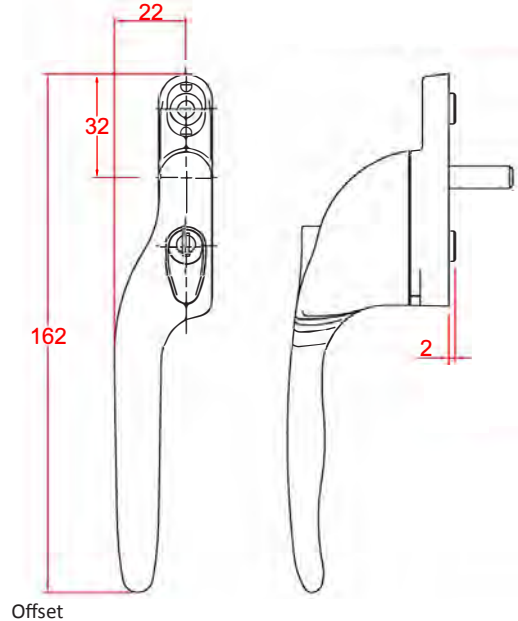
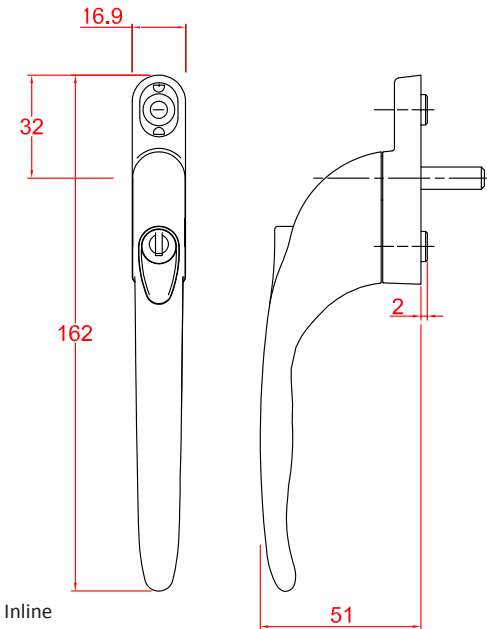
SBD
Approved

Virage Locking Espagnolette Handle

securistyle[®]



- Ergonomically designed, push to release espagnolette handle
- Positive stop ensures correct closure position
- High quality diecast barrel
- 10 year mechanical guarantee
- Available in 5 spindle lengths; 9, 15, 20, 30 & 40mm (for 15, 20, 30 & 40mm part codes please enquire)



SPINDLE LENGTH	BUTTON COLOUR	WHITE	BLACK	BLACK	BLACK	BLACK	BOX QTY.
	HANDING/ COLOUR	WHITE	BLACK	SATIN CHROME	CHROME	BRASS	
9mm	Inline	ESP09105	ESP09155	ESP09145	ESP09125	ESP09195	25
9mm	Left Hand	ESP09103	ESP09153	ESP09143	ESP09123	ESP09193	25
9mm	Right Hand	ESP09104	ESP09154	ESP09144	ESP09124	ESP09194	25
NON-LOCKING							
9mm	Inline	ESP09100	ESP09150	ESP09140	ESP09120	ESP09190	25
9mm	Left Hand	ESP09101	ESP09151	ESP09141	ESP09121	ESP09191	25
9mm	Right Hand	ESP09102	ESP09152	ESP09142	ESP09122	ESP09192	25



Caldwell folding openers provide a safe, hard-wearing, simple-to-use and cost-effective way to achieve restricted opening on casement windows in public or commercial buildings like schools, hotels, hospitals and offices. They are gravity dependant and therefore best suited to top hung windows, although they may also be fitted to fully reversible and pivot windows. The wide range of fixing brackets available on folding openers mean they are suitable for use on aluminium, PVCu, timber, steel and composite windows.

When it comes to building a best-fit folding opener system, product selection depends, in the first instance, upon the position of the window i.e. is pole operation required? This dictates the type of folding opener used. The next key consideration is the

step size and screw centre. These measurements vary according to the casement profile and are critical to achieving a robust, full-functioning system.

Key Features:

- Configurations to suit virtually any profile
- Standard folding openers give a sash movement of 150mm, shorter openers are available on request
- Resilient anodised satin silver finish
- Quality manufactured to **BS EN ISO 9001: 2008**
- Corrosion resistant to **BS 7412: 2007**
- Open/close cycle tested in excess of 100,000 cycles



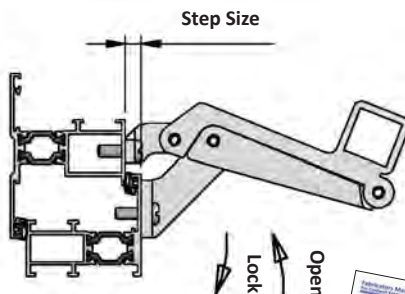
Hand operated system shown

Pole operated systems

Wherever windows are high up or hard-to-reach due to obstructions, pole-operated folding openers provide a more durable and economical manual way to control windows remotely compared to electronic systems. The recommended high-level configuration usually comprises of 110/111 series or 'pork chop' folding openers, a pre-drilled tandem bar and a 263 tandem eye which can be operated easily and effectively by a boss pole.



110 Type High-level Folding Opener



Hand operated systems

On low-level or easily accessible windows that can be safely operated by hand, the type 112 opener is the recommended choice. These openers can be linked by an undrilled tandem bar as there is no need for a tandem eye.



112 Type Low-level Folding Opener



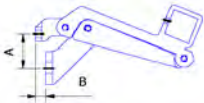
Call sales on **01234 242724** to request your printed copy of our Fabricators Manual or to download a PDF *scan the code*



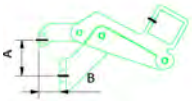
Folding Openers



Low-level Folding Openers



**112, 113, 117,
130 & 190**



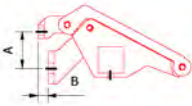
180, 183 & 187

** The folding openers marked red are end of line and low stock. For latest stock, please visit our website*



FO TYPE	DIMENSION A (VERTICAL SCREW FIXINGS)	PLATE HEIGHT		DIMENSION B (Step)				
		FRAME FIX	SASH FIX	FLUSH	5mm	7mm	11mm	16mm
112	25mm	25mm	10mm	CFO11200	CFO11205	CFO11207	CFO11207 + 2 x 2mm Packers CFO90002	CFO11216
113	15mm	17mm	9mm	-	-	CFO11307	CFO11307 + 2 x 2mm Packers CFO90002	-
117	32mm	-	-	CFO11700	-	-	-	-
117	32mm	25mm	10mm	-	CFO11700 + 5mm Packer CFO90005	CFO11707	CFO11707 + 2 x 2mm Packers CFO90002	CFO11716*
130	45mm	25mm	10mm	CFO13005 + 5mm Frame Packer CFO91005	-	-	-	-
130	38mm	25mm	10mm	-	CFO13005	-	-	CFO13016
180	25mm	25mm	10mm	CFO18005* + 5mm Frame Packer CFO91005	CFO18005*	CFO18005* + 2mm Packer CFO90002	CFO18005* + 5mm Packer CFO90005 & 1mm Packer CFO90001	-
183	32mm	25mm	10mm	-	CFO18305*	CFO18305 + 2mm Packer CFO90002	CFO18305* + 5mm Packer CFO90005 & 1mm Packer CFO90001	-
187	48mm	25mm	10mm	-	-	-	CFO18716* + 5mm Frame Packer CFO91005	CFO18716*
190	53mm	25mm	10mm	CFO19005 + 5mm Frame Packer CFO91005	-	-	-	-
190	48mm	25mm	10mm	-	CFO19005	CFO19005 + 2mm Packer CFO90002	CFO19016 + 5mm Frame packer CFO91005 or CFO19005 + 5mm Packer CFO90005 & 1mm Packer CFO90001	CFO19016

High-level Folding Openers



111, 131, & 191

FO TYPE	DIMENSION A (VERTICAL SCREW FIXINGS)	PLATE HEIGHT		DIMENSION B (Step)				
		FRAME FIX	SASH FIX	FLUSH	5mm	7mm	11mm	16mm
111	25mm	25mm	10mm	-	-	CFO11107	CFO11107 + 2 x 2mm Packers CFO90002	-
131	38mm	25mm	10mm	-	-	-	CFO13116 + 5mm Frame Packer CFO91005	CFO13116
191	48mm	25mm	10mm	-	-	-	CFO19116 + 5mm Frame Packer CFO91005	CFO19116

Folding opener accessories

These accessories enable you to refine your folding opener system to achieve a perfect fit and a professional finish every time. Our selection of different width packers let you accommodate intermediate step sizes, while tandem bar ends caps ensure a neat finish and a solid build.



KEY	DESCRIPTION	SIZE	TANDEM EYE TYPE	PART CODE
A	Operating Pole / Boss Pole	1.4m	262/263	CFO14000S
A	Operating Pole / Boss Pole	2m	262/263	CFO20000S
B	Tandem Bar	600mm	-	CFO20016
B	Tandem Bar	800mm	-	CFO20018
B	Tandem Bar	1m	-	CFO20100
B	Tandem Bar	2.4m	-	CFO22400
C	Tandem Bar End Cap	-	-	CFO25064
C	Tandem Bar Middle Cover	-	-	CFO25064M
C	Tandem Bar End Cap Screws	-	-	CFO99999
D	Tandem Bar Eyes	Large	262	CFO26200
E	Tandem Bar Eyes	Small	263	CFO26300
F	Folding Opener Packer	2mm	-	CFO90002
F	Folding Opener Packer	3mm	-	CFO90003
F	Folding Opener Packer	5mm	-	CFO91005
F	Folding Opener Packer - Nylon	5mm	-	CFO90005



Flush & Stepped DuoFlex Folding Openers

Flush DuoFlex folding openers

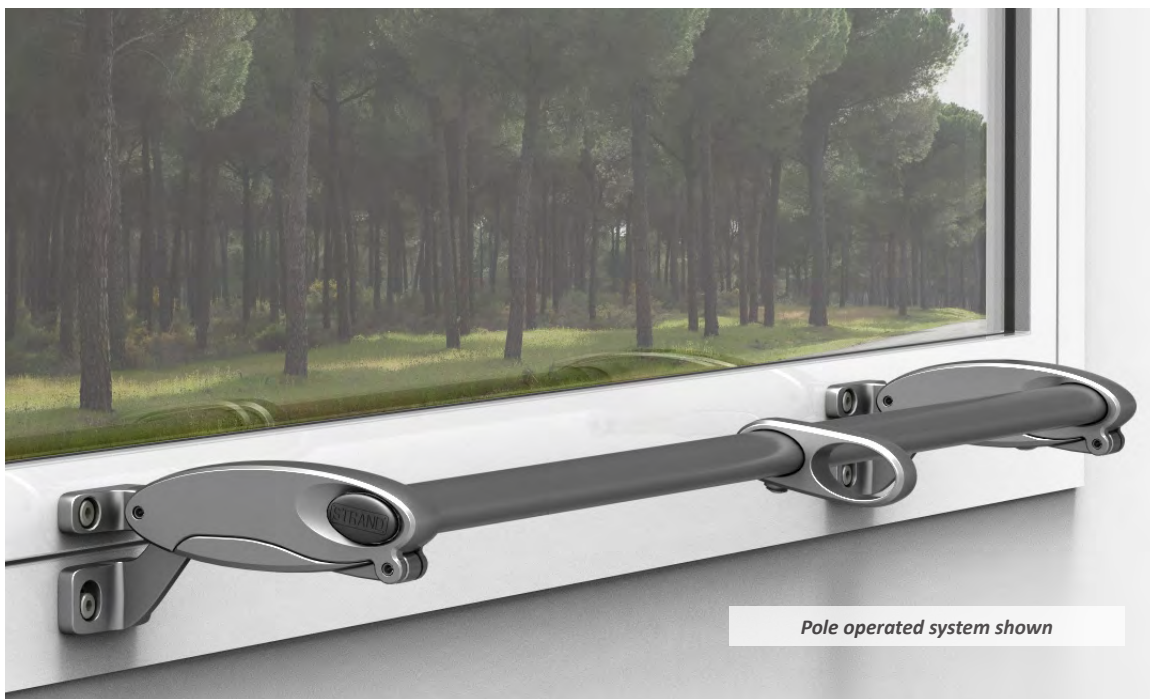
With flexible, fully-adjustable, packer-free fitting, this DuoFlex window opener can ably achieve safe, secure restricted opening on a range of open-out, flush-style window frames made from timber, aluminium or steel. Cycle tested to beyond 100,000 operations and constructed from strong, corrosion-resistant aluminium, these openers promise enduring, trouble-free service and superior pristine aesthetics.



- Fits most timber, aluminium or steel window frames
- Suitable for open-out top hung and centre pivot sashes
- Attractive and stylish design
- Fitter-friendly and easy to adjust to suit 0-10mm sash step sizes

- No need for packers
- Distance between fixing centres: 29mm
- Minimum sash height: 250mm on windows with butt hinges. 400mm where friction hinges are used.
- 150mm throw when opening and closing sash
- Over centre design gives a secure lock when the window is closed
- Cycle tested to over 100,000 operations
- Available in silver grey and white finish. Other RAL colours available on request
- Made in UK
- Materials: Aluminium alloy with plastic washers or bushes fitted to all moving joints

Tip: We advise that you use a single opener on sash width up to 500mm, two openers plus link bar on sash widths 600 to 900mm and three openers plus link bar for sash widths 900mm to 1500mm.



Pole operated system shown

Stepped DuoFlex folding openers

These great-looking, curvy folding openers achieve the perfect balance of form and functionality! Modern aesthetics combine with flexible design features to produce an adaptable folding opener system that gives secure restricted opening and can easily accommodate a range of step sizes from 0-26mm with simple adjustment and no need for packers. That makes DuoFlex stepped openers ideally suited to most types of top-hung or centre-pivot outward opening PVC-u windows.



- Suitable for use on PVCu window frames
- Contemporary, sleek styling
- Easy-fitting and completely adjustable without packers to accommodate 0-26mm step sizes

- Distance between fixing centres: 48mm
- Minimum sash height: 250mm on windows with butt hinges. 400mm where friction hinges are used.
- Gives 150mm throw when opening and closing sash
- Over centre design gives secure locking when the window is closed
- Cycle tested to over 100,000 operations
- Available in silver grey and white finish. Other RAL colours available on request
- Made in UK
- Materials: Aluminium alloy with plastic washers or bushes fitted to all moving joints

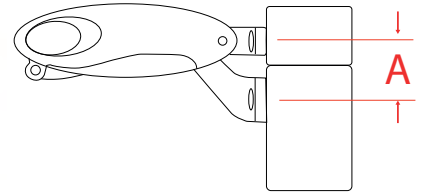
Tip: We recommend you use a single opener on sash width up to 500mm, two openers plus link bar on sash widths 600 to 900mm and three openers plus link bar for sash widths 900 to 1500mm.

Flush & Stepped DuoFlex Folding Openers



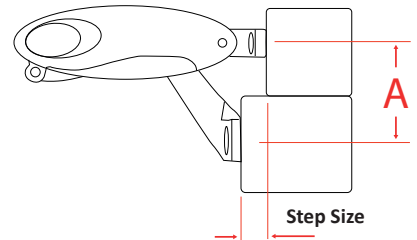
Flush Folding Openers for Aluminium

DIMENSION A (VERTICAL SCREW FIXINGS)	PLATE HEIGHT		THROW	STEP	FINISH	
	FRAME FIX	SASH FIX			SILVER	WHITE
29mm	19mm	11.5mm	150mm	0-10mm	SDF100220	SDF100225



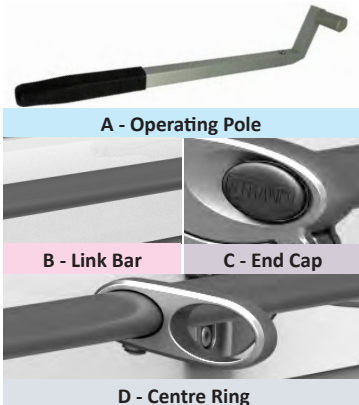
Stepped Folding Openers for PVCu

DIMENSION A (VERTICAL SCREW FIXINGS)	PLATE HEIGHT		THROW	STEP	FINISH	
	FRAME FIX	SASH FIX			SILVER	WHITE
48mm	19mm	11.5mm	150mm	0-26mm	SDF100320	SDF100325



Folding opener accessories

These accessories enable you to refine your folding opener system to achieve a perfect fit and a professional finish every time. Choose from link bars and operating poles in a choice of lengths, as well as centre rings and bar end caps. If you use a single opener on its own, but you need a pole, you will also require the pole adaptor listed below.



Accessories

KEY	DESCRIPTION	SIZE	BLACK	SILVER	WHITE
A	Operating Pole	1000mm	-	SDF501000	-
A	Operating Pole	1500mm	-	SDF501500	-
A	Operating Pole	2000mm	-	SDF502000	-
-	Pole Adaptor	-	-	SDF59999	-
B	Link Bar	300mm	-	SDF210300	SDF200300
B	Link Bar	600mm	-	SDF210600	SDF200600
B	Link Bar	900mm	-	SDF210900	SDF200900
B	Link Bar	1000mm	-	SDF211000	SDF201000
C	Link Bar End Caps	-	SDF30005	-	-
D	Centre Ring	-	-	SDF40001	SDF40000

Caldwell or Duoflex Folding Opener

Order Form

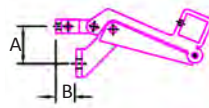
Window Ware
Telford way, Cross Park,
Bedford MK42 0PQ
phone | 01234 242724

Please tick one option below & complete the rest of this form.			
Caldwell	<input type="checkbox"/>	Duoflex	<input type="checkbox"/>

Company Name	<input type="text"/>	Contact	<input type="text"/>
	<input type="text"/>	Email	<input type="text"/>
Delivery Address	<input type="text"/>	Tel No.	<input type="text"/>
	<input type="text"/>	Fax No.	<input type="text"/>
	<input type="text"/>	Date	<input type="text"/>
	<input type="text"/>	Required Delivery Date	<input type="text"/>



Please Tick		Dimensions: Refer to pages 31 or 33		Width of Window (If the windows is wider than 900mm it will require 3 folding openers)	Part No. if known	Qty. Required
High Level	Low Level	Step DIM B	Vertical Fixings DIM A			
<input type="checkbox"/>	<input type="checkbox"/>	<input type="checkbox"/>	<input type="checkbox"/>	<input type="text"/>	<input type="text"/>	<input type="text"/>
<input type="checkbox"/>	<input type="checkbox"/>	<input type="checkbox"/>	<input type="checkbox"/>	<input type="text"/>	<input type="text"/>	<input type="text"/>
<input type="checkbox"/>	<input type="checkbox"/>	<input type="checkbox"/>	<input type="checkbox"/>	<input type="text"/>	<input type="text"/>	<input type="text"/>
<input type="checkbox"/>	<input type="checkbox"/>	<input type="checkbox"/>	<input type="checkbox"/>	<input type="text"/>	<input type="text"/>	<input type="text"/>
<input type="checkbox"/>	<input type="checkbox"/>	<input type="checkbox"/>	<input type="checkbox"/>	<input type="text"/>	<input type="text"/>	<input type="text"/>
<input type="checkbox"/>	<input type="checkbox"/>	<input type="checkbox"/>	<input type="checkbox"/>	<input type="text"/>	<input type="text"/>	<input type="text"/>
<input type="checkbox"/>	<input type="checkbox"/>	<input type="checkbox"/>	<input type="checkbox"/>	<input type="text"/>	<input type="text"/>	<input type="text"/>
<input type="checkbox"/>	<input type="checkbox"/>	<input type="checkbox"/>	<input type="checkbox"/>	<input type="text"/>	<input type="text"/>	<input type="text"/>
<input type="checkbox"/>	<input type="checkbox"/>	<input type="checkbox"/>	<input type="checkbox"/>	<input type="text"/>	<input type="text"/>	<input type="text"/>
<input type="checkbox"/>	<input type="checkbox"/>	<input type="checkbox"/>	<input type="checkbox"/>	<input type="text"/>	<input type="text"/>	<input type="text"/>
<input type="checkbox"/>	<input type="checkbox"/>	<input type="checkbox"/>	<input type="checkbox"/>	<input type="text"/>	<input type="text"/>	<input type="text"/>
<input type="checkbox"/>	<input type="checkbox"/>	<input type="checkbox"/>	<input type="checkbox"/>	<input type="text"/>	<input type="text"/>	<input type="text"/>
<input type="checkbox"/>	<input type="checkbox"/>	<input type="checkbox"/>	<input type="checkbox"/>	<input type="text"/>	<input type="text"/>	<input type="text"/>
<input type="checkbox"/>	<input type="checkbox"/>	<input type="checkbox"/>	<input type="checkbox"/>	<input type="text"/>	<input type="text"/>	<input type="text"/>
<input type="checkbox"/>	<input type="checkbox"/>	<input type="checkbox"/>	<input type="checkbox"/>	<input type="text"/>	<input type="text"/>	<input type="text"/>
<input type="checkbox"/>	<input type="checkbox"/>	<input type="checkbox"/>	<input type="checkbox"/>	<input type="text"/>	<input type="text"/>	<input type="text"/>
<input type="checkbox"/>	<input type="checkbox"/>	<input type="checkbox"/>	<input type="checkbox"/>	<input type="text"/>	<input type="text"/>	<input type="text"/>



Bar	Please Tick			Size/Type	Part No. if known	Qty. Required
	Tandem Eye	Packers	Pole			
<input type="checkbox"/>	<input type="checkbox"/>	<input type="checkbox"/>	<input type="checkbox"/>	<input type="text"/>	<input type="text"/>	<input type="text"/>
<input type="checkbox"/>	<input type="checkbox"/>	<input type="checkbox"/>	<input type="checkbox"/>	<input type="text"/>	<input type="text"/>	<input type="text"/>
<input type="checkbox"/>	<input type="checkbox"/>	<input type="checkbox"/>	<input type="checkbox"/>	<input type="text"/>	<input type="text"/>	<input type="text"/>
<input type="checkbox"/>	<input type="checkbox"/>	<input type="checkbox"/>	<input type="checkbox"/>	<input type="text"/>	<input type="text"/>	<input type="text"/>
<input type="checkbox"/>	<input type="checkbox"/>	<input type="checkbox"/>	<input type="checkbox"/>	<input type="text"/>	<input type="text"/>	<input type="text"/>
<input type="checkbox"/>	<input type="checkbox"/>	<input type="checkbox"/>	<input type="checkbox"/>	<input type="text"/>	<input type="text"/>	<input type="text"/>
<input type="checkbox"/>	<input type="checkbox"/>	<input type="checkbox"/>	<input type="checkbox"/>	<input type="text"/>	<input type="text"/>	<input type="text"/>
<input type="checkbox"/>	<input type="checkbox"/>	<input type="checkbox"/>	<input type="checkbox"/>	<input type="text"/>	<input type="text"/>	<input type="text"/>
<input type="checkbox"/>	<input type="checkbox"/>	<input type="checkbox"/>	<input type="checkbox"/>	<input type="text"/>	<input type="text"/>	<input type="text"/>
<input type="checkbox"/>	<input type="checkbox"/>	<input type="checkbox"/>	<input type="checkbox"/>	<input type="text"/>	<input type="text"/>	<input type="text"/>
<input type="checkbox"/>	<input type="checkbox"/>	<input type="checkbox"/>	<input type="checkbox"/>	<input type="text"/>	<input type="text"/>	<input type="text"/>
<input type="checkbox"/>	<input type="checkbox"/>	<input type="checkbox"/>	<input type="checkbox"/>	<input type="text"/>	<input type="text"/>	<input type="text"/>
<input type="checkbox"/>	<input type="checkbox"/>	<input type="checkbox"/>	<input type="checkbox"/>	<input type="text"/>	<input type="text"/>	<input type="text"/>
<input type="checkbox"/>	<input type="checkbox"/>	<input type="checkbox"/>	<input type="checkbox"/>	<input type="text"/>	<input type="text"/>	<input type="text"/>
<input type="checkbox"/>	<input type="checkbox"/>	<input type="checkbox"/>	<input type="checkbox"/>	<input type="text"/>	<input type="text"/>	<input type="text"/>
<input type="checkbox"/>	<input type="checkbox"/>	<input type="checkbox"/>	<input type="checkbox"/>	<input type="text"/>	<input type="text"/>	<input type="text"/>
<input type="checkbox"/>	<input type="checkbox"/>	<input type="checkbox"/>	<input type="checkbox"/>	<input type="text"/>	<input type="text"/>	<input type="text"/>



262 Tandem Eye



263 Tandem Eye

Factory tools, glazing tools & machinery consumables available next day

see pages 91-107



Xpert

HIGHLINE MANUAL WINDOW CONTROLS



Technical Data

Minimum window height for full 250mm travel of T100 - 500mm

Chain openers fitted on windows less than recommended height must have opening restricted to 30% of the vent height using the T700 spring stop or T720 brass stop to shorten the cable run.

For safety reasons we recommend fitting side support stays to all bottom hung, open-in windows. For bottom hung applications you must fit the THL8200/0/1/5 fixing kit (see page 38) (sold separately).



Maximum Control Run

OPERATOR	MAXIMUM CONTROL RUN
T200	30 metres
T250	18 metres
T300	18 metres

Spent Travel Conduit

To allow for the forward/backward movement of the inner cable, a length of "spent travel" conduit must be fitted at either end of the control path i.e. past the last chain/screw jack and below the operator (except the T250 midi operator (see page 38) which has an integral "spent travel" tube).

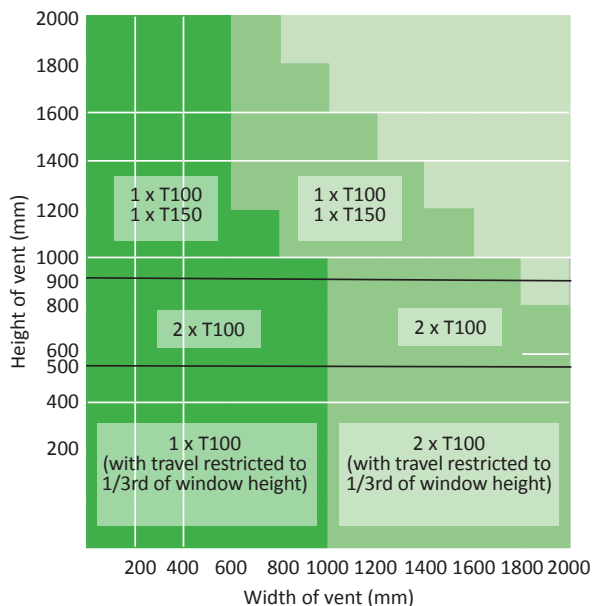
TYPE OF OPERATOR	SPENT TRAVEL CONDUIT
SJ138600 Screw Jack	2.5m (for full 380mm travel)
T100 Chain Opener	0.3m



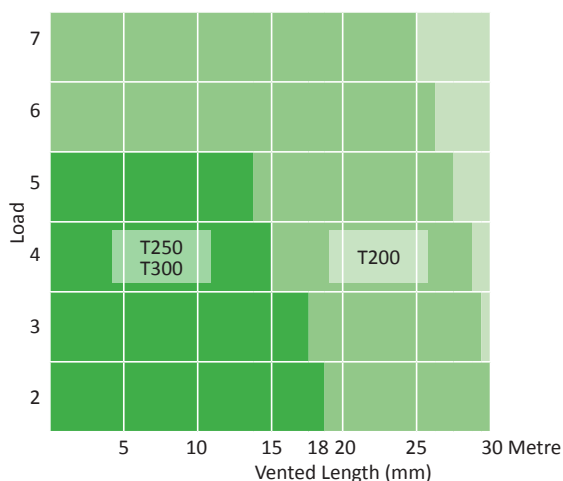
Call sales on **01234 242724** to request your printed copy of our Highline Brochure & Order Form, or download PDF versions scan the code



Number Of Openers Per Vent



Type Of Operation

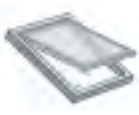


LOAD = No. of chain openers + No. of bends in conduit

The above figures are based on a single bend in the conduit path. For each additional bend deduct 1 metre from the Vented Length total.

The figures used in these charts are based on windows with 4mm double glazed units fitted to butt hinges or free pivots, not friction stays. Please refer to our sales or technical department for advice if friction stays are fitted.

Window Types



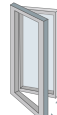
Roof Vent
Roof Light



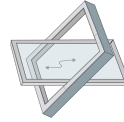
Top Hung
Awning



Bottom Hung
Hopper



Side Hung
Casement

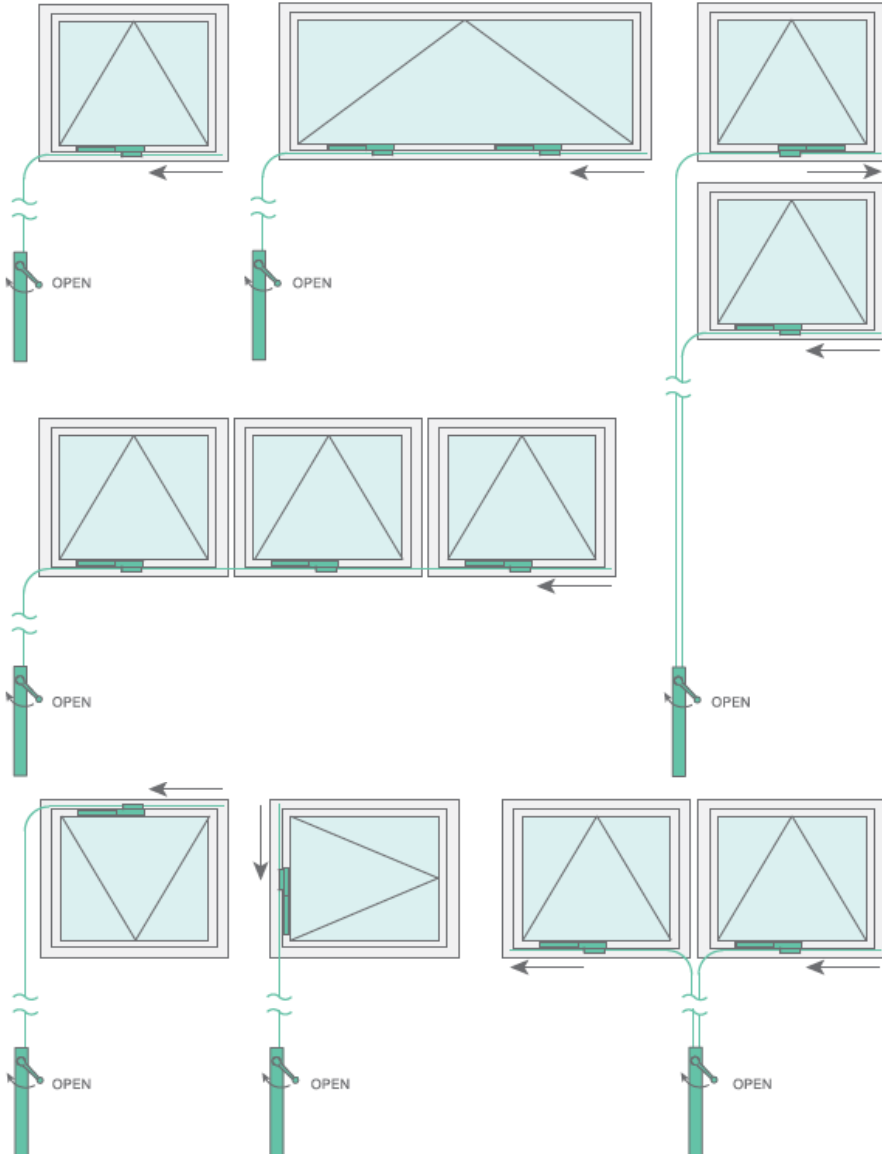


Horizontal
Pivot



Dome

Installation Examples



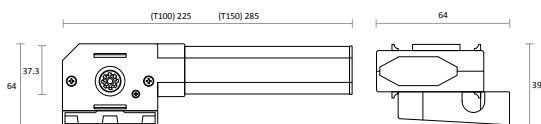
HIGHLINE MANUAL WINDOW CONTROLS

HIGHLINE® T100 Chain Openers WINDOW CONTROLS

This compact window opener is one of the most popular choices in the range. It's neat, discreet and can be fitted to most top, bottom, and side hung windows to give a generous 250mm opening stroke for excellent natural ventilation.

- 250mm travel length (also available in 380mm)
- Made to last from substantial zinc castings and aluminium extrusion
- Can be fitted on its own or linked with multiple T100 openers and controlled from a single T250, T200 or T300 mini operator
- Fixing plates and bracket fixing kits available to suit most window profiles
- Available in white, grey and black

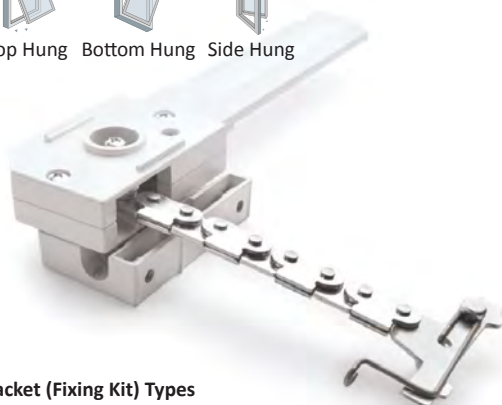
TIP: As a rule, frames wider than 1200mm should be fitted with a pair of chain openers.



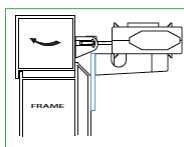
COLOUR	STROKE	PART CODE	BOX QTY
White RAL9010	250mm	THL10000	40
Grey RAL9006	250mm	THL10001	40
Black RAL9005	250mm	THL10005	40



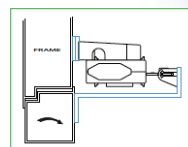
Top Hung Bottom Hung Side Hung



Bracket (Fixing Kit) Types



Open-out PVCu
See below for codes



Bottom-hung Open-in
See below for codes

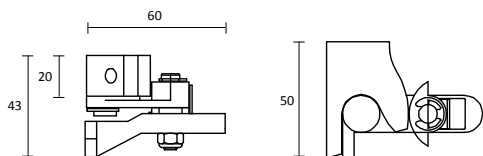
COLOUR	OPEN OUT	OPEN IN	BOX QTY
White	THL81000	THL82000	10
Grey	THL81001	THL82001	10
Black	THL81005	THL82005	10

HIGHLINE® T175 Locking Manual Openers Bottom Hung Open-In

This opener is ideally suited to bottom-hung windows fitted with butt hinges or 'Hopper' style casements that open inwards. It's small enough to fit snugly where space is limited between the reveal and moving frame. Because the moving sash is opened by the strength of the cable alone without the support of any conduit, this opener is better suited to small vents only.

- Works with the helical steel cable (THL41000)
- Used with the T250 or T300 operator on bottom hung windows
- Maximum opening stroke 250mm
- Supplied with mounting brackets
- Available in white, grey and black

TIP: Operate multiple vents by linking locking openers using a rotary junction box.



COLOUR	STROKE	PART CODE	BOX QTY
White	250mm	THL17500	10
Grey	250mm	THL17501	10
Black	250mm	THL17505	10



Bottom Hung



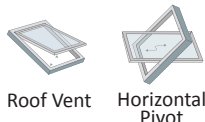
Compatible With



Midi Handle Operator
See Page 39



Maxi Handle Operator
See Page 40



Roof Vent Horizontal Pivot

SJ138600 Screw Jack Opener



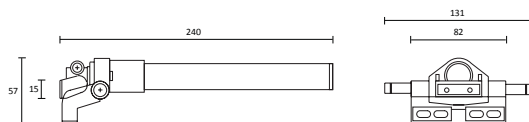
This strong and rigid screw jack actuator gives great opening power, perfectly suited to single or multi-operation of banks of medium-sized (>500mm) and heavier casements. It's particularly useful for controlling the opening pitch of roof lights, as well as operating top-hung windows and horizontal pivoting windows. One thing to bear in mind is that, depending on the application, there can be a lot of spent travel to accommodate (see page 36). This will need taking into consideration with the positioning of the system.

- Sill-mounted screw jack used with T200 maxi handle
- High-powered opener strong enough for use on heavy casements
- Maximum opening stroke: 380mm
- Available in white

Compatible With



Maxi Handle Operator
See Page 40



COLOUR	SIZE	PART CODE	BOX QTY
White	380mm	THL13860	25



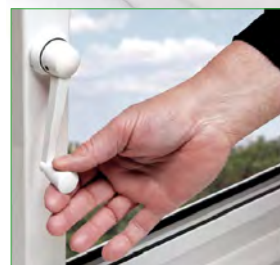
Top Hung Bottom Hung Side Hung

T250 Manual Midi Operator with Handle



This midi window winder is a popular choice to operate manual window opening systems. Any spent travel (see page 36) is neatly and safely enclosed inside the casing, well away from prying fingers, making it ideal for use in schools and hospitals.

- Can only be used with the T100 and T175 manual openers due to restrictions on the amount of spent travel the casing can accommodate. This allows for a maximum opening of 250mm
- Includes T275 handle, T410 spent travel tube and T720 brass stop
- Remember to allow room for the handle to rotate through 360° (diameter of at least 220mm)
- Use the brass stop included to set the opening size anywhere from 0-250mm
- Available in white, grey and black



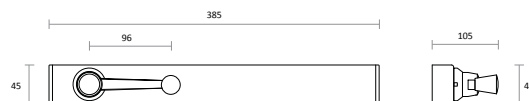
Compatible With



Chain Opener
See Page 38



Locking Manual Openers
See Page 38



COLOUR	SIZE	MIDI	BOX QTY
White RAL9010	45 x 385mm	THL20000	20
Grey RAL9006	45 x 385mm	THL20001	20
Black RAL9005	45 x 385mm	THL20005	20

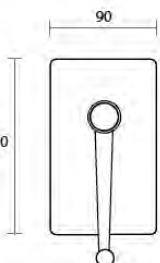
HIGHLINE MANUAL WINDOW CONTROLS

HIGHLINE® T200 Maxi Operators inc. Handles



If you need to control multiple windows or vents with linked cable runs from a single window winder, or you need to work heavier casements, then this capable, robust manual operator is your best choice thanks to its powerful gearing and heavy-duty construction.

- Capable of operating multiple windows
- Heavy-duty metal case
- Compatible with the T100 chain opener and T175 locking manual opener
- Includes T275 handle and fixings
- Remember to allow room for the handle 150 to rotate through 360° (diameter of at least 220mm)
- Available in white, grey and black



TIP: Ideal for operating multiple windows in schools if the conduit is covered.

Compatible With



Chain Opener
See Page 38



Locking Manual
Openers See Page 38



Screw Jack Opener
See Page 39

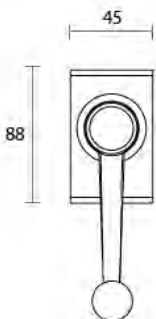
COLOUR	SIZE	MAXI	BOX QTY
White RAL9010	90 x 150mm	THL20010	1
Grey RAL9006	90 x 150mm	THL20011	1
Black RAL9005	90 x 150mm	THL20015	1

HIGHLINE® T300 Mini Operators inc. Handles



This compact metal-cased operator is capable of controlling single or several light windows. It's one of our most affordable options, although the spent cable is exposed, and this might be a consideration if the system is going to be installed in a school or public building.

- Compatible with the T100 chain opener and T175 locking manual opener
- Includes T275 handle and fixings
- Remember to allow room for the handle to rotate through 360° (diameter of at least 220mm)
- Available in white, grey and black



Compatible With



Chain Opener
See Page 38



Locking Manual Openers
See Page 38

Need to control heavier roof vents?
Check out the powerful Maxi operator above.

Colour	Size	MINI	Box Qty
White RAL9010	45 x 88mm	THL20020	1
Grey RAL9006	45 x 88mm	THL20021	1
Black RAL9005	45 x 88mm	THL20025	1

Rotary Junction Box

HIGHLINE[®]
WINDOW CONTROLS



This junction box connects drivers for satellite openers to the main conduit control system allowing multiple openers to be operated from a single winder. Available in white, grey and black.

COLOUR	PART CODE	BOX QTY
White RAL9010	THL51000	1
Grey RAL9006	THL51001	1
Black RAL9005	THL51005	1

Cable Conduit 3 Metre

HIGHLINE[®]
WINDOW CONTROLS



This plastic-covered metal tube protects the control cable that connects a window operator to a chain opener. It features a nylon lining for smooth operation and longer life. Supplied in 3-metre lengths. Available in white, grey and black finish.

COLOUR	SIZE	PART CODE	BOX QTY
White RAL9010	3m	THL40000	20
Grey RAL9006	3m	THL40001	20
Black RAL9005	3m	THL40005	20

Conduit End Cap

HIGHLINE[®]
WINDOW CONTROLS



This moulded plastic conduit plug seals off the end of the conduit run which houses spent travel for a neat, fully enclosed finish. Available in white, grey and black finish.

COLOUR	PART CODE	BOX QTY
White RAL9010	THL83000	100
Grey RAL9006	THL83001	100
Black RAL9005	THL83005	100

HIGHLINE[®] Window Control Cable

WINDOW CONTROLS

This dry-lubricated helical cable runs inside the conduit to drive the window opener from the winder operator handle. Available in 1-metre lengths.

Remember to allow enough cable for spent travel

To allow for the forward/backward movement of the inner cable, a length of "spent travel" conduit must be fitted at either end of the control path i.e. past the last chain/screw jack and below the operator (except the T250 midi operator (see page 38) which has an integral "spent travel" tube).

TYPE OF OPERATOR	SPENT TRAVEL CONDUIT
SJ138600 Screw Jack	2.5m (for full 380mm travel)
T100 Chain Opener	0.3m

DESCRIPTION	SIZE	PART CODE	BOX QTY
Inner Cable	1m	THL41000	50m



HIGHLINE[®] 3-Piece Conduit Saddle Bracket

WINDOW CONTROLS

This neat, 3-piece saddle bracket can be fitted to non-masonry surfaces such as window frames to hold the conduit for winding gear firmly in position. This helps to create a professional, tidy finish. Available in white, grey and black.



COLOUR	PART CODE	BOX QTY
White RAL9010	THL80000	100
Grey RAL9006	THL80001	100
Black RAL9005	THL80005	1

HIGHLINE[®] Plastic Conduit Saddle Bracket

WINDOW CONTROLS

This moulded plastic saddle bracket is quick and easy to fit straight to the window frame to secure the conduit for winding gear in place. Available in white, grey and black.



COLOUR	PART CODE	BOX QTY
White RAL9010	THL80010	10
Grey RAL9006	THL80011	10
Black RAL9005	THL80015	10

Cable Conduit Connector

HIGHLINE
WINDOW CONTROLS



This three-part metal connector is used to connect two lengths of conduit together to create a longer run of conduit. Each connector consists of a two-part metal sleeve and a plastic collar for a secure fit. Available in white, grey and black.

COLOUR	PART CODE	BOX QTY
White RAL9010	THL50000	10
Grey RAL9006	THL50001	10
Black RAL9005	THL50005	10



Swage Tool

HIGHLINE
WINDOW CONTROLS

This swage or conduit tool is an essential piece of kit for Highline window control systems. It's used to form the groove in the end of the conduit so it can be securely located into the ridges on the collar of the operator or opener.



DESCRIPTION	PART CODE	BOX QTY
Swage Tool	THL99999	10



Conduit Bend Former

HIGHLINE
WINDOW CONTROLS

If you're installing Highline manual window controls, you'll need this bend forming tool to create the ideal curve in your conduit with a radius of 90mm for smooth, unhindered cable travel.



DESCRIPTION	PART CODE	BOX QTY
Bend Former	THL99998	10

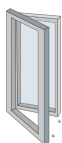
Window Types



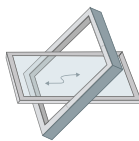
Top Hung
Awning



Bottom Hung
Hopper



Side Hung
Casement



Horizontal
Pivot



Dome

Product Information

The Highline electric window controls range offers reliable, flexible and cost-effective systems to automate the opening of vents and high-level windows for natural ventilation. Natural ventilation improves the air quality of inside spaces by allowing clean, fresh air to enter the building while letting stale air out.

Our range of motorised single chain actuators are controllable from either a simple switch or a digital control panel with temperature, wind or rain activation. The 230V AC actuators featured in this brochure all run off standard mains electricity and are available from stock. 24V models for use in bathrooms and kitchens are also available by special order only.

Highlights of the range include the ever-popular ACK4 chain actuator (sometimes referred to as the MAC) with its 7 opening positions ranging between 100mm to 400mm and fitting brackets for most applications. Then there's the newer Micro EVO Actuator. Versatile enough to adapt to any application, it incorporates a synchronisation feature which lets you easily link several actuators together on the same window – perfect for operating wider casements.

We also have access to lots of other actuators and controls not shown in this brochure, so if you need something you can't see here, why not give our technical team a call on 01234 242724 to discuss your specific requirements.



Call sales on **01234 242724** to request your printed copy of our Highline Brochure & Order Form, or download PDF version scan the code



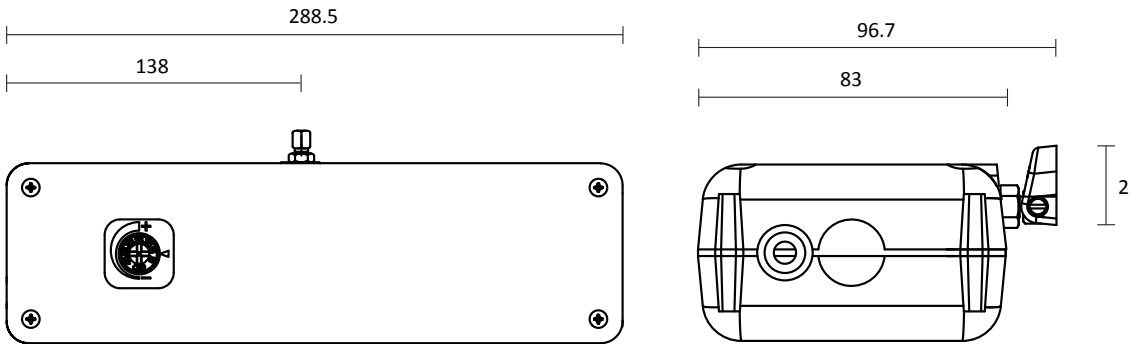


ACK4 Chain Actuators 300N

HIGHLINE
WINDOW CONTROLS

If you want complete control over how far your vents open, then the ACK4 electric chain actuator gives no less than 7 different stroke positions from 100mm up to 400mm, so you can achieve your desired level of ventilation. With a strong die-cast aluminium casing, a robust double-link stainless steel chain and a maximum thrust force of 300N, the ACK4 actuator is a hard-working, reliable choice for your window control system.

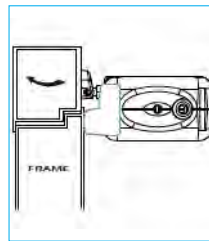
- Suitable for use on most windows and lightweight roof vents and domes
- Adjustable opening stroke with 7 positions from 100-400mm
- Strong die-cast aluminium casing
- Robust double-link stainless steel chain
- High protection class IP 55 rated
- All electrical parts are double insulated
- Audible alarm sounds when installed incorrectly
- Supplied with 1.5m cable
- Brackets and fixings available to most applications (all sold separately)
- Available in white



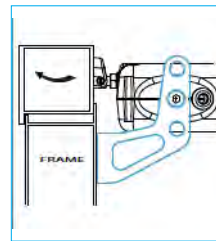
Technical Specifications

VOLTAGE	230VAC
STROKE	100-400mm
THRUST FORCE	300N
ABSORBED CURRENT	0.32A
SPEED	27mm/s
PROTECTION CLASS	IP55
FLEX	1.5m (3 CORE)
LIMIT STOP	Electronic
SAFETY STOP	Electronic
MAX WINDOW WIDTH	<1.5m

Accessories & Bracket Types



Standard for Ali
ELH30000



Large for PVCu
ELH30010



1 Gang Switch & Box
EHL20000

EX. PIN SIZE	STEP SIZE	PART CODE	BOX QTY
37mm	10-20mm	EHL40000	1
47mm	20-30mm	EHL40001	1
57mm	30-40mm	EHL40002	1

DESCRIPTION	COLOUR	SIZE	PART CODE	BOX QTY
Actuator	White	288.5 x 83 x 47.8mm	EHL10000	1
Bracket for Ali	White	Standard	ELH30000	1
Bracket for PVCu	White	Large	ELH30010	1

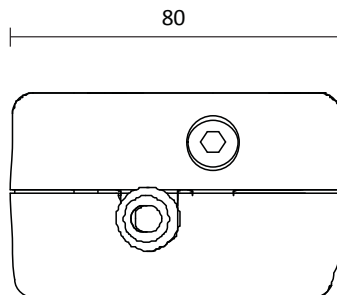
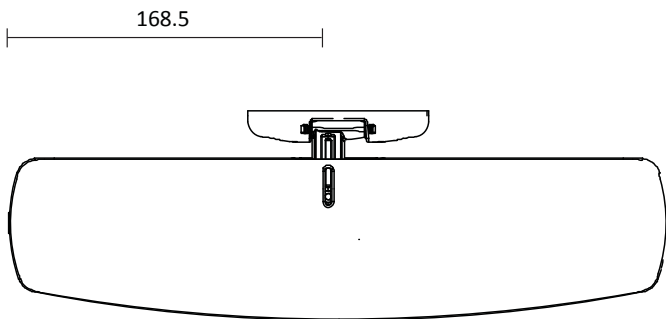
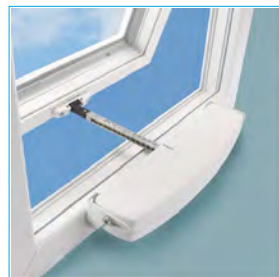
HIGHLINE ELECTRICAL WINDOW CONTROLS

HIGHLINE® C30 Chain Actuators WINDOW CONTROLS 330N

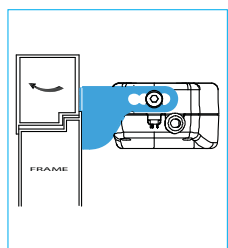


This single-chain actuator comes as standard with a selection of different brackets making it suitable for mounting onto top and bottom hung windows. It delivers a maximum push/pull thrust force of 300N which is sufficient to operate most windows, lightweight roof vents and domes. The opening stroke can quickly and easily be adjusted at 200mm or 380mm simply by turning a knob on the outside of the casing.

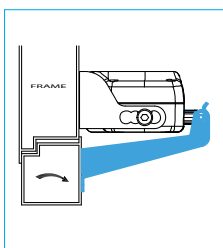
- Single chain actuator with 2 travel positions (200mm or 380mm)
- Strong composite casing
- All electrical parts are double insulated
- High protection class IP 30 rated
- Features a robust centrally positioned double-link stainless steel chain with a buzzer alarm that sounds in the event of incorrect installation
- Supplied with 1.5m cable
- Comes complete with C30/SB standard bracket and C30/BHB bottom hung bracket
- Available in white



Accessories & Included Bracket Types



Standard



Bottom Hung



1 Gang Switch & Box
EHL20000

Technical Specifications

VOLTAGE	230V AC
STROKE	200-380mm
THRUST FORCE	300N
ABSORBED CURRENT	0.26A
SPEED	27mm/s
PROTECTION CLASS	IP30
FLEX	1.5m (3 CORE)
LIMIT STOP	Electronic
SAFETY STOP	Electronic
MAX WINDOW WIDTH	<1.5m

DESCRIPTION	COLOUR	SIZE	PART CODE	BOX QTY
Actuator	White	337 x 80 x 49 mm	EHL10020	1



Top Hung



Bottom Hung



Side Hung



Horizontal Pivot



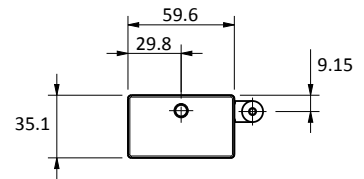
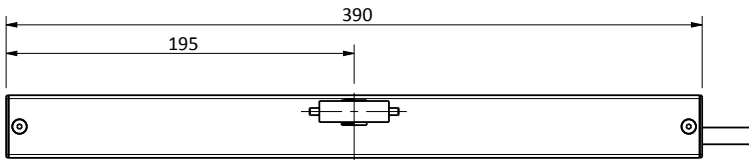
Dome

Micro EVO Actuator 230v



If you need high-level electric window controls for a wide casement, then the Micro EVO actuator is just the job. Its integrated synchronisation function means you can easily link up as many as 4 actuators to work together on single window on site and straight out of the box - no need for a separate sync module.

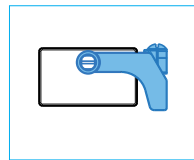
- 4 selectable opening strokes (100-400mm)
- Suitable for most window types and roof vents
- Soft-stop closing for reduced wear on the window frame and actuator
- All electrical parts are double-insulated - Class II AC version – Class III DC version.
- Aluminium casing
- High protection class IP 32 rated
- Double-link chain with anti-corrosion treatment
- Can be easily synced on site to work as a group of up to 4 actuators on wider casements
- Supplied with standard and bottom hung quick-release fixing brackets



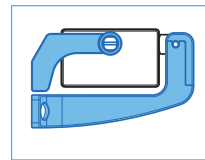
Technical Specifications

VOLTAGE	230V AC
STROKE (SELECTABLE)	100-200-300-400mm
THRUST FORCE	300 N
ABSORBED CURRENT	-
SPEED	12.5mm/s
PROTECTION CLASS	IP 32
FLEX	1.5m (3 CORE)
LIMIT STOP	-
SAFETY STOP	Yes
MAX WINDOW WIDTH	<1.5m

Included Bracket Types



Standard



Bottom Hung

Accessories



1 Gang Switch & Box
EHL20000



Large Bracket
EHL31010

DESCRIPTION	COLOUR	SIZE	PART CODE	BOX QTY
EVO Actuator	White RAL9003	390 x 35 x 59mm	EHL10010	1
Additional Bracket	White	Large	EHL31010	1

HIGHLINE® 1 Gang Switch & Box

WINDOW CONTROLS

This S50-1 Rocker switch is part of the Highline electric window controls range and can be used to control the open/close operation of both 230V AC actuators and 24V DC actuators (via 24V DC controllers) which are available by special order.

- 2-way centre off retractive switch
- 10 Amp (max)
- 1-Gang (2-Gang, 3-Gang and 4-Gang versions available upon request)
- Controls the movement of 230V AC window actuators (or 24V DC controllers if required)
- Supplied with surface-mounted box
- Dimensions: 86 x 86 x 28mm



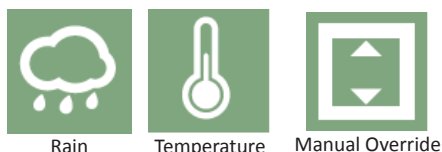
COLOUR	PART CODE	BOX QTY
White	EHL20000	1

HIGHLINE® Control Unit For Natural Ventilation Window Controls

WINDOW CONTROLS

This compact window control unit is a great way to automatically achieve natural ventilation and ensure a more comfortable environment in stuffy rooms or stifling conservatories. With the digital display, it's quick and easy to program the system to automatically open and close windows or roof vents to achieve a specific room temperature, as well as ensure windows are shut and watertight whenever it rains.

- Control unit for 230V AC Window actuators (max output 8 Amp)
- Automatically opens windows if room gets too hot and closes them according to temperature or when it rains.
- Rain sensor and temperature sensor included
- Digital display for simple programming of the desired room temperature
- High protection class IP 4X rated
- Open and close buttons on front of control panel for direct control



Rain

Temperature

Manual Override



Technical Specifications

VOLTAGE	230V AC
OUTPUT CURRENT	8A
PROTECTION CLASS	IP 4X
DIMENSIONS	146 x 86 x 28mm
INPUTS	Rain Sensor, Temperature Probe

Accessories Included Items



Rain Sensor



Temperature Probe

COLOUR	SIZE	PART CODE	BOX QTY
White	230v	EHL40010	1

HIGHLINE Manual and Electric Controls Enquiry Form

A copy of this form is available to download from www.windowware.co.uk/highline-window-controls-brochure
 Please complete & email to sales@windowware.co.uk



Window Ware
 Telford way, Cross Park,
 Bedford MK42 0PQ
 Phone | 01234 242724

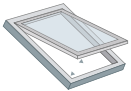
Please Tick	Quote	Order
Company Name		
Delivery Address		

Contact	
Email	
Tel. No.	
Fax No.	
Date	
Required Delivery Date	

Please use one form per vent type and size. For examples please see page 37.

How are the vents hinged - Top Hung, Bottom Hung, Side Hung etc?

Please tick in the box below



Roof Vent or Roof Light

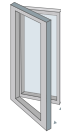
Not suitable for electric control



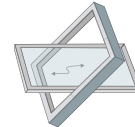
Top Hung Awning



Bottom Hung Hopper



Side Hung Casement



Horizontal Pivot

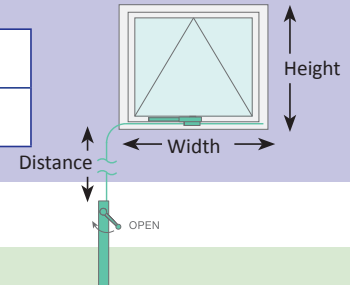


Dome

Dimensions of the opening vent size:

Height:

Width:



Please complete either Manual or Electric controlled

MANUAL CONTROLLED

Handle Distance from vent:

No. of vents:

MATERIAL USED: PVCu:

Aluminium:

Timber:

ELECTRIC CONTROLLED

No. of vents:

How many actuators:

Note: If the vent is wider than 1250mm then 2 or more actuators are required

Control unit:

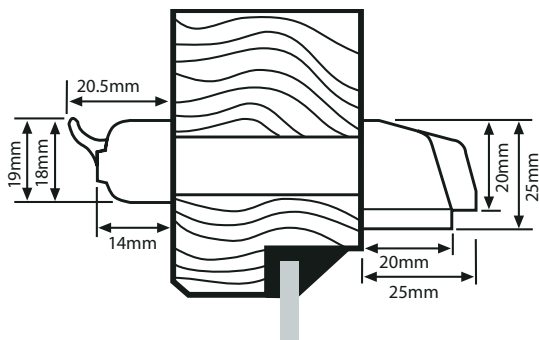
No. of switches:



TTF Slimline Through-Frame Ventilator



- Slim ventilation, perfect for use on aluminium profile systems
- Delivers 2500 EA to comply with Approved Document F 2006
- Available with easy-to-use manual or cord operation to suit most preferences
- Fully controllable and draught-free to **keep homeowners happy**
- Easy installation to **save fitting time and avoid hassle**
- Ideal for new builds and retro-fitting
- Available in 4 single or dual standard colours – HIPCA white (RAL9910), anthracite grey (RAL7016), anodised silver and black (RAL9005)
- Other RAL colours also available on special order
- Produced under ISO 9001 Quality Systems for **improved customer satisfaction**
- Ventilation performance tested to BS EN 13141-1:2004
- Acoustic performance tested to BS EN 20140-10:1992, ISO 140-10:1991.
- Water tightness tested to 400pa

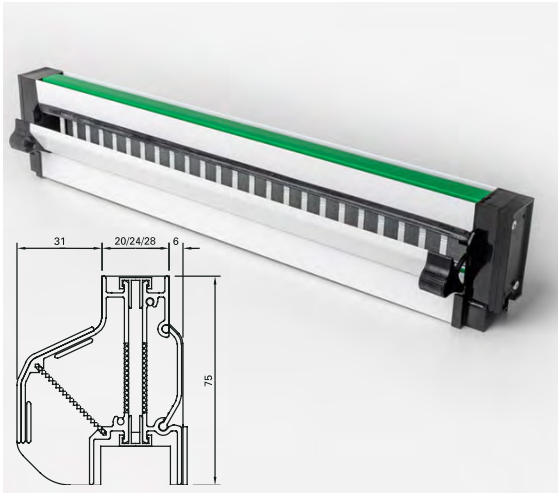


VENT SIZE (mm)	AIR FLOW (mm ²)		SLOT SIZE LENGTH-GAP-LENGTH (mm)	
	INTERNAL	EXTERNAL	INTERNAL	EXTERNAL
300	2500	2500	265	265
375	2500	2500	345	345

Other RAL colours also available on special order, please contact our sales team on 01234 242724

Internal Finish	HIPCA WHITE RAL9910	HIPCA WHITE RAL9910	HIPCA WHITE RAL9910	HIPCA WHITE RAL9910	ANTHRACITE GREY RAL7016	ANODISED SILVER	BLACK RAL9005
External Finish	ANTHRACITE GREY RAL7016	ANODISED SILVER	BLACK RAL9005	HIPCA WHITE RAL9910	ANTHRACITE GREY RAL7016	ANODISED SILVER	BLACK RAL9005
300	RWS325311	RWS325312	RWS325315	RWS325300	RWS325301	RWS325302	RWS325305
375	RWS325111	RWS325112	RWS325115	RWS325100	RWS325101	RWS325102	RWS325105
Box Qty.	100	100	100	100	100	100	100

Airstrip 19000
'Glazed-in' Ventilator



RW Simon Ltd leads the way with this top-performing Airstrip 19000 ventilator, which offers built-in updraught facility and variable operating modes that deliver increased airflow capable of meeting Document F 2010 of building regulations. The Airstrip 19000 is installed between the head of the window profile and held in place by the glazing system. This product is also available as a gas vent, delivering a continuous supply of fresh air in line with Gas Board recommendations. Every ventilator is made to measure to suit your specific application. Please use our custom order form to ensure we have all the relevant information needed to provide you with an accurate quote.

Highlights:

- External hood as standard
- Thermally broken / thermally insulated
- Fitted with storm seal in internal flap. Storm locks available if required
- Flap control offers two opening positions between fully open and fully shut
- Permanent trickle (gas), knob, rod and cord operation available
- Suitable for double glazing thicknesses 20, 24, 28 and 32mm
- Glass height reduction 64mm
- Four standard colour options: Black (RAL9005 matt), White (RAL9910 Hipca satin), Dark Brown Mahogany (RAL8019 matt) & Grey (RAL7016 matt)
- Special colours and dual colours also available

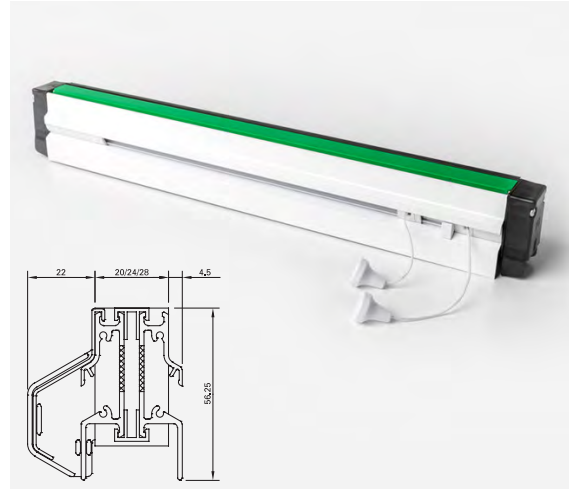
Performance:

- Tested to BS EN 13141-1:2004 achieves 12,931mm² equivalent area
- 5000mm² EA achieved on a length of just 386mm
- 2500mm² EA achieved on a length of just 193mm
- BS 5440-2:2000 compliant
- Water tightness limit of 600pa
- Acoustically tested to BS EN 20140-10:1992, ISO 140-10:1991

Components:

Two aluminium bodies assembled with thermal break, flap with knob controls at both ends (cord/rod control as optional), pair of end caps, 4 x screws, standard fly screen or gas fly screen, glass and ventilator gasket.

Airstrip 400
'Glazed-in' Ventilator



Not only is the Airstrip 400 easy to assemble and simple to install, it's also versatile and achieves superior thermal performance. That's all down to its unique twin shutter system, external hood and thermally broken all-aluminium design, which lets fabricators mix and match the internal/external faces to achieve exactly the look they're after. The Airstrip 400 is installed between the head of the window profile and held in position by the glazing unit. Every ventilator is custom made to suit your requirements. Please use our special order form to ensure we have all the relevant information needed to provide you with an accurate quote.

Highlights:

- Includes external hood
- Thermally broken / thermally insulated design
- Optional internal updraught deflector
- Twin open and close shutters
- Knob and cord operation available
- Trickle ventilation as standard
- Suitable for double glazing thicknesses 20, 24 and 28mm
- Glass height reduction 45mm
- Four standard colour options: Black (RAL9005 matt), White (RAL9910 Hipca satin), Dark Brown Mahogany (RAL8019 matt) & Grey (RAL7016 matt)
- Special RAL colours and dual colours also available

Performance:

- Tested to BS EN 13141-1:2004 achieves 4,103mm² equivalent area
- 5000mm² EA achieved on a length of 1,218mm
- 2500mm² EA achieved on a length of 609mm
- BS 5440-2:2000 compliant
- Water tightness limit of 400pa
- Acoustically tested to BS EN 20140-10:1992, ISO 140-10:1991
- Weather performance tested to BS EN 1026:2016 & BS EN 1027:2016

Components:

Supplied assembled. Aluminium body with thermal break and 2 PVCu shutter strips. External hood and fixing screws. Optional internal updraught deflector and fixing screws. Knob or cord control mechanism. Pair of 16, 20 or 24mm end caps. Trickle ventilation baffle plate. 4 x screws. Fly screen and glazing gasket.

To order either the Airstrip 400 or 19000, please contact our sales team on 01234 242724

DUCO Grille Solid F30Z Glazed-in Window Louvre

Ventilation & Sun Control

Q Quality
BS EN ISO 9001

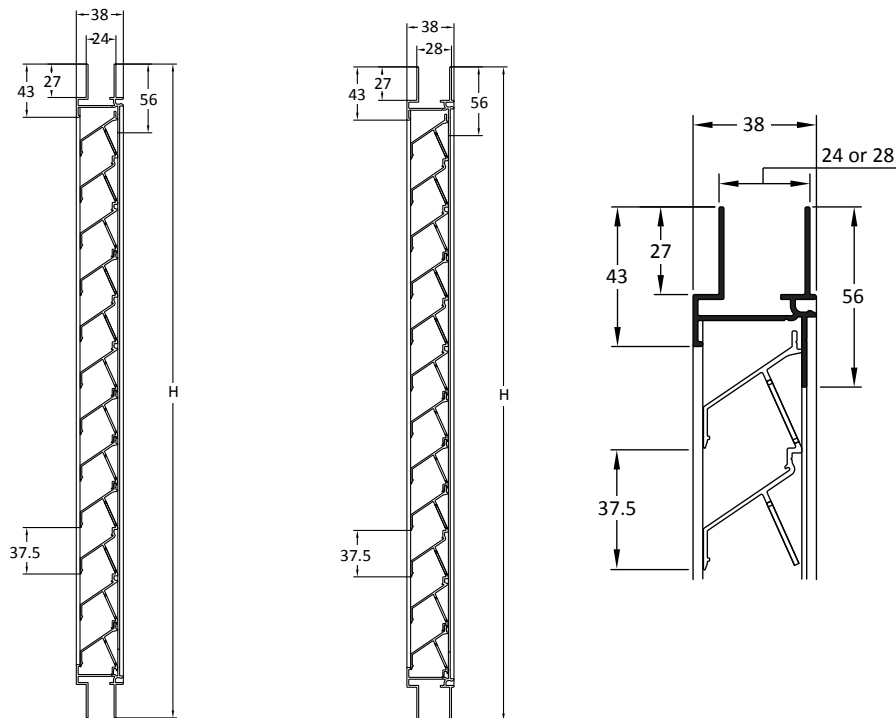
10 Year Finish
Guarantee

 Vandal-proof

 130HP Excellent
Water Resistance

These high-quality aluminium window louvres are custom-made to your exact specifications to fit aluminium, timber & PVCu window frames of any size or finish. DucoGrilles provide intensive ventilation ideally suited to all kinds of industrial and commercial buildings. They let in plenty of fresh air to create a healthy, comfortable environment without compromising security. The unique stackable 'Z' shaped blades in the DucoGrille Solid deliver excellent burglar-resistant, weather-proof strength and durability.

- Available in 24mm or 28mm glazing thickness
- P1 Integrated fly screen as standard. P2 Stainless steel bird mesh or NP non-punched mesh (100% screening louvre) also available
- P2 Bird blade with additional 6mm galvanised mesh meets current gas regulations
- Free area: 34% (with fly screen) or 48% (with bird mesh)
- Blades and frame manufactured from extruded aluminium for strength and precision
- Unique clip-free design ensures blades are held fast by the outer frame and won't rattle in exposed areas or extreme conditions
- Independently tested by the BSRIA for water tightness
- Certified for burglar resistance to European Classification Class 2
- Quality manufactured to BS EN ISO 9001
- RAL polyester powder coated 60-80 microns with a 10-year finish guarantee
- Recessed (with or without flange) and surface mounted wall louvres also available



Solid F30/24Z

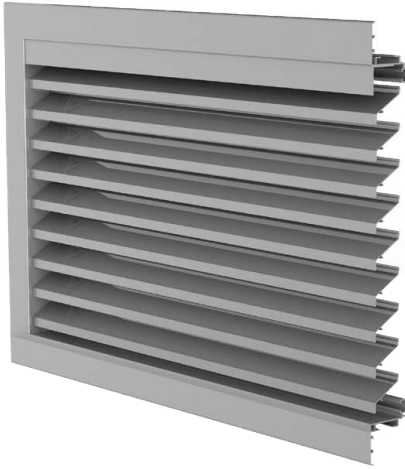
Solid F30/28Z

To compare all louvres or order please see pages 56-58 or contact our sales team on 01234 242724

Q 10

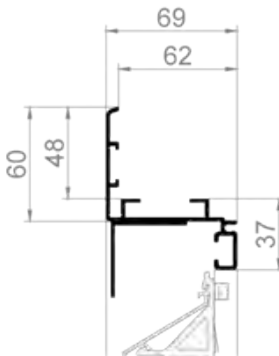
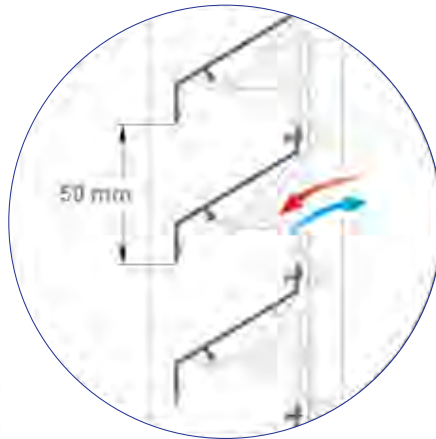
Quality BS EN ISO 9001 Year Finish Guarantee

**Grille Classic 45HP
Glazed-in
Window Louvre**

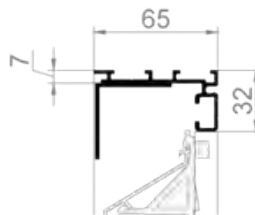


This high-performance aluminium grille has Z-shaped louvre blades which not only look smart but deliver excellent airflow too. As a result, the DucoGrille Classic 45HP is particularly well suited to projects that require intensive ventilation and refined aesthetics. All louvre variants are custom made to order using extruded aluminium for strength and durability. A fine nylon insect mesh is fitted as standard, with other vermin control options available. The DucoGrille Classic F45 HP window louvres suit PVCu, timber and aluminium casements

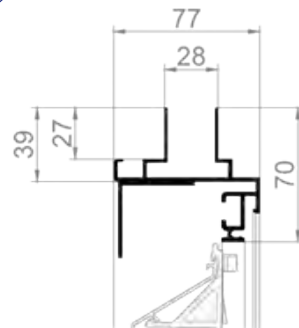
- Available in 24mm or 28mm glazing thickness
- Nylon insect mesh fitted as standard
- Stainless steel 6 x 6mm vermin mesh and 20 x 20mm bird mesh also available
- Physical free area: 60%
- Blades and frame manufactured from extruded aluminium for strength and precision
- Quality manufactured to BS EN ISO 9001
- A choice of finishes available all with a 10-year surface guarantee:
 - Standard aluminium anodised coated 15-20 microns
 - Polyester powder coated 60-80 microns
 - RAL colours and texture available on demand
- Choose from glazed-in window louvres and recessed wall louvres (with or without flange)



Classic G45HP
Recessed wall louvre
with flange



Classic N45HP
Recessed wall louvre
without flange



Classic F45HP
Window louvre

To compare all louvres or order please see pages 56-58 or contact our sales team on 01234 242724

DUCO Grille Classic 50HP Ventilation & Sun Control **Glazed-in Window Louvre**

Q 10

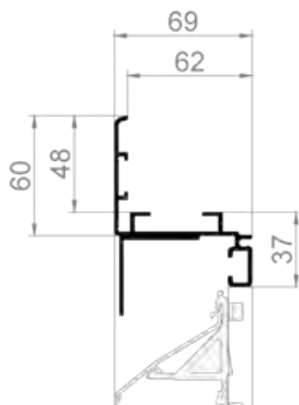
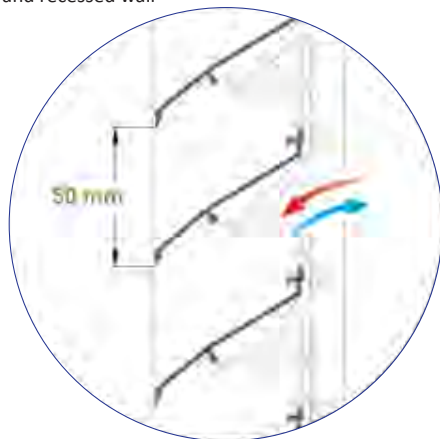
Quality
BS EN ISO 9001

Year Finish
Guarantee

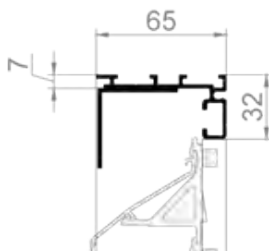
The DucoGrille Classic 50HP has been specially developed for intensive ventilation. The uniquely shaped 'High Performance' 50HP louvre blades on this aluminium architectural louvre have a low resistance factor which allows plenty of air to flow in and out of spaces. That makes the DucoGrille Classic 50HP a perfect choice for intensive ventilation requirements such as commercial air conditioning and heating applications. All louvres are custom manufactured to suit your exact size, performance and finish specifications, with options to suit PVCu, timber and aluminium windows, as well as recessed wall installations.



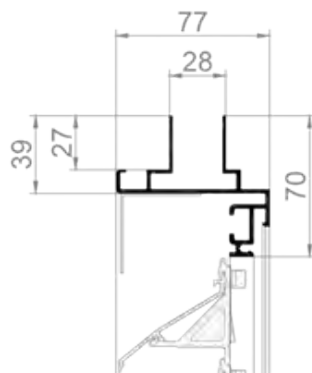
- Nylon insect mesh fitted as standard
- Stainless steel 6 x 6mm vermin mesh and 20 x 20mm bird mesh also available
- Physical free area: 68%
- Blades and frame manufactured from extruded aluminium for strength and precision
- Quality manufactured to BS EN ISO 9001
- A choice of finishes available all with a 10-year surface guarantee:
 - Standard aluminium anodised coated 15-20 microns
 - Polyester powder coated 60-80 microns
 - RAL colours and texture available on demand
- Choose from glazed-in window louvres and recessed wall louvres (with or without flange)



Classic G50HP
Recessed wall louvre
with flange



Classic N50HP
Recessed wall louvre
without flange



Classic F50HP
Window louvre

To compare all louvres or order please see pages 56-58 or contact our sales team on 01234 242724

Q 10
Quality
BS EN ISO 9001

Year Finish
Guarantee

130HP Excellent
Water Resistance

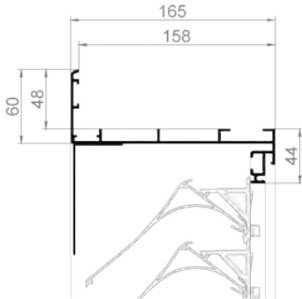
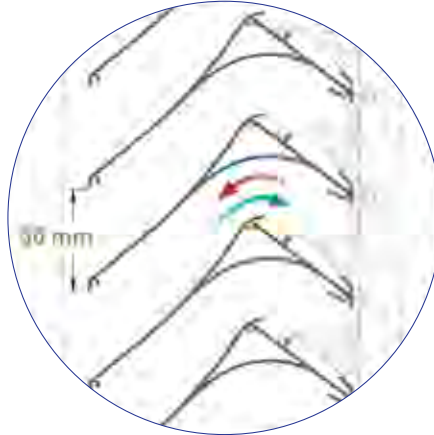
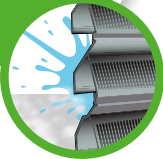
**Grille Classic 130HP
Glazed-in
Window Louvre**



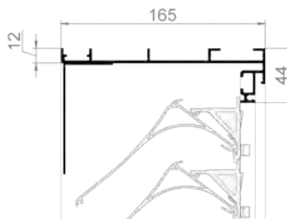
With the DucoGrille Classic 130HP, you get the best of both worlds – very good airflow combined with excellent Class A water resistance! This bespoke, made-to-order built-in wall grille boasts uniquely shaped high performance 130HP blades which achieve low air resistance and first-rate water tightness capable of meeting intensive ventilation requirements particularly in exposed locations or extreme weather conditions.

- Nylon insect mesh fitted as standard
- Stainless steel 6 x 6mm vermin mesh and 20 x 20mm bird mesh also available
- Physical free area: 70%
- Class A water resistance with insect mesh up to 2.5 m/s
- Blades and frame manufactured from extruded aluminium for strength and precision
- Quality manufactured to BS EN ISO 9001
- A choice of finishes available all with a 10-year surface guarantee:
 - Standard aluminium anodised coated 15-20 microns
 - Polyester powder coated 60-80 microns
 - RAL colours and texture available on demand
- Glazed-in & recessed wall louvres (with or without flange) available

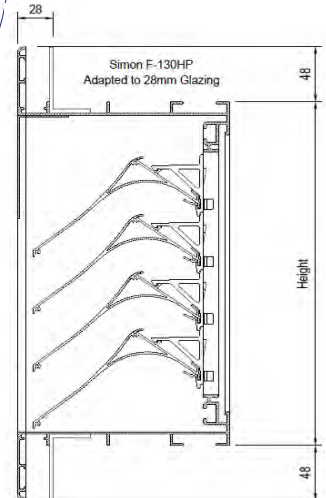
water resistance
CLASS A
up to 2.5 m/s



Classic G130HP
Recessed wall louvre
with flange



Classic N130HP
Recessed wall louvre
without flange



Classic F130HP
Recessed wall louvre
fitted into a window
with an adapter

To compare all louvres or order please see pages 56-58 or contact our sales team on 01234 242724

to order please see page 58
or contact our sales team
on 01234 242724

Louvre Type		
G	Recessed wall louvre with flange	
	Grille Size	Mounting
	Dimension of louvre without flange (installation dimension)	Allow 5 mm clearance (all round) between opening in wall and frame for fixing.
	Width - 10mm x Height - 10mm of the wall opening	
N	Recessed wall louvre without flange	
	Grille Size	Mounting
	Dimension of louvre (installation dimension)	Allow 5 mm clearance (all round) between opening in wall and frame for fixing.
	Width - 10mm x Height - 10mm of the wall opening	
F	Window louvre	
	Grille Size	Mounting
	Total Width x total Height of the louvre grille (overall dimension)	Recessed mounting in window section
M	Surface-mounted wall louvre	
	Grille Size	Mounting
	Total Width x total Height of the louvre grille (overall dimension)	-

Q Quality BS EN ISO 9001	10 Year Finish Guarantee	 Vandal-proof	 130HP Excellent Water Resistance	
VENTILATION VALUES			P1	
Visual free passage			60%	
Physical free passage			34%	
Ce (higher is better)			0.24	
Cd (higher is better)			0.23	
K-FACTOR (lower is better)	INLET		17.70	
	OUTLET		19.13	
WATER RESISTANCE				
Air velocity	0 m/s	C (91.1%)		
Class A = 100-99%	0.5 m/s	C (83.5%)		
Class B = 98.5-95%	1 m/s	D (77.7%)		
Class C = 94.9-80%	1.5 m/s	D		
Class D = <80%	2 m/s	D		
	2.5 m/s	D		
SECURITY				
Vandal-proof grille				
INSECT SCREEN	RESISTANCE TO	SMALL SLOTS		
2.3 x 2.3mm		Perforated louvre blades as insect screen		
6 x 6mm				
20 x 20mm				
FRAME TYPES AND DIMENSIONS				
Louvre pitch			37.5mm	
G	Recessed wall louvre with flange	Recess depth	34.4mm	
		Frame rebate	18.2mm	
N	Recessed wall louvre without flange	Recess depth	34.4mm	
		Frame rebate	18.2mm	
F	Window louvre	Frame depth	38mm	
		Flange width	24 or 28mm	
M	Surface-mounted wall louvre	Recess depth	43mm	
Minimum dimensions W x H			200 x 200mm	

				
P2	NP	45HP	50HP	130HP
86%	0	70%	88%	88%
48%	0	60%	68%	70%
0.28	n/a	0.28	0.46	0.34
0.28	n/a	0.39	0.47	0.27
12.85	n/a	12.66	4.7	8.55
12.90	n/a	6.68	4.55	13.42
				
B (96.1%)	n/a	B	C (92.3%)	A
B (95.9%)	n/a	B	C (89.8%)	A
C (93.5%)	n/a	C	C (86.5%)	A
C (87.6%)	n/a	C	D (79.7%)	A
D (67.3%)	n/a	C	D	A
D	n/a	D	D	A
		n/a	n/a	n/a
LARGE SLOTS	FALSE LOUVRES			
(OPTIONAL) Stainless-steel mesh 2.3 x 2.3 mm	100% Screening Louvre	(STANDARD) Nylon mesh 2.3 x 2.3 mm	(STANDARD) Nylon mesh 2.3 x 2.3 mm	(STANDARD) Nylon mesh 2.3 x 2.3 mm
(OPTIONAL) Stainless-steel mesh 6 x 6 mm	n/a	(OPTIONAL) Galvanised-steel mesh 6 x 6 mm	(OPTIONAL) Galvanised-steel mesh 6 x 6 mm	(OPTIONAL) Galvanised-steel mesh 6 x 6 mm
(STANDARD) Stainless-steel mesh 20 x 20 mm	n/a	(OPTIONAL) Galvanised-steel mesh 20 x 20 mm	(OPTIONAL) Galvanised-steel mesh 20 x 20 mm	(OPTIONAL) Galvanised-steel mesh 20 x 20 mm
37.5mm	37.5mm	50mm	50mm	50mm
34.4mm	34.4mm	62mm	62mm	158mm
18.2mm	18.2mm	48mm	48mm	48mm
34.4mm	34.4mm	65mm	65mm	158mm
18.2mm	18.2mm	0mm	0mm	18.2mm
38mm	38mm	28mm	28mm	28mm with adapter
24 or 28mm	24 or 28mm	77mm	77mm	48mm
43mm	43mm	n/a	n/a	n/a
200 x 200mm	200 x 200mm	250 x 250mm	250 x 250mm	250 x 250mm




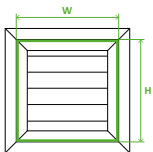

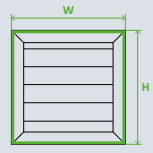

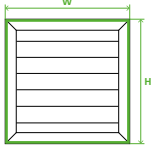
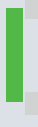
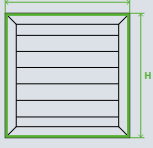
Vandal-proof



130HP Excellent Water Resistance

Quote Request

Company Name		Contact	
		Email	
Delivery Address		Tel No.	Window Ware Telford Way Cross Park Bedford MK42 0PQ
		Fax No.	
		Date	phone 01234 242724
		Required Delivery Date	

Louvre Type		Grille Size	Mounting
G	Recessed wall louvre with flange 	 Dimension of louvre without flange (installation dimension) Width - 10mm x Height - 10mm of the wall opening	Allow 5 mm clearance (all round) between opening in wall and frame for fixing.
N	Recessed wall louvre without flange 	 Dimension of louvre (installation dimension) Width - 10mm x Height - 10mm of the wall opening	Allow 5 mm clearance (all round) between opening in wall and frame for fixing.
F	Window louvre 	 Total Width x total Height of the louvre grille (overall dimension)	Recessed mounting in window section
M	surface-mounted wall louvre 	 Total Width x total Height of the louvre grille (overall dimension)	-

For further info on Louvres see pages 52-57 or contact our sales team on 01234 242724

If you need help working out your airflow rate, surface (m²) or pressure drop (Pa), visit <http://ventilateberekening.duco.eu/en/duco grille>

Grille Type	<input type="checkbox"/> F30PZ P1 Small	<input type="checkbox"/> F30PZ P2 Large	<input type="checkbox"/> F30PZ NP False
	<input type="checkbox"/> 45HP	<input type="checkbox"/> 50HP	<input type="checkbox"/> 130HP
Louvre Type	<input type="checkbox"/> G Recessed with flange	<input type="checkbox"/> N Recessed without flange	<input type="checkbox"/> F Window
	<input type="checkbox"/> M Surface-mounted wall louvre (F30PZ versions only)		
Dimensions	45HP, 50HP & 130HP have a minimum size of 250 x 250mm		
	Width (mm)	Height (mm)	
Insect Mesh Screen Size	Insect mesh screen not available for F30PZ versions		
	<input type="checkbox"/> 2.3 x 2.3mm Nylon	<input type="checkbox"/> 6 x 6mm Galvanised Steel	<input type="checkbox"/> 20 x 20mm Galvanised Steel
Thickness if Glazed-in	<input type="checkbox"/> 28mm For any louvre	<input type="checkbox"/> 28mm For any louvre but 130HP version with an adapter	
Finish	Colour (RAL)	Gloss Level	
Airflow Requirements			



DucoGrille **Classic 20Z**



DucoGrille **Solid 30Z**

DucoGrille **Classic 50Z**



DucoGrille **NightVent**



DucoGrille **NightVent**

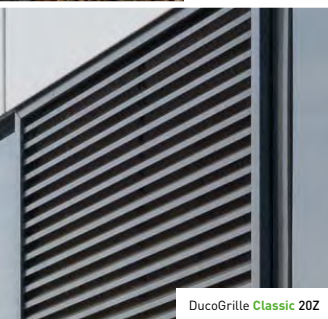


A louvre solution for every project

Our louvre panels can be custom-built to suit virtually any screening or ventilation project. They're guaranteed to look the part, meet specification and comply with building regulations in a whole range of industrial, commercial and residential applications from exterior screening, solar shading and weather protection, to ventilation for flats and offices, as well as plant and generator rooms.

Louvres can be made to order in almost any size or shape (such as round or square grilles, full louvre doors, plenum boxes or roof turrets) and in a choice of finishes and textures to suit the architect's or builder's requirements exactly. An extensive choice of optional accessories such as sound-absorbing acoustic blades, insect and vermin mesh, blanking and insulation panels offers ultimate customisability.

Please call our sales team on 01234 242724 to discuss your particular needs.



DucoGrille **Classic 20Z**



DucoGrille **Classic 20Z**



Seal the world...
reXon



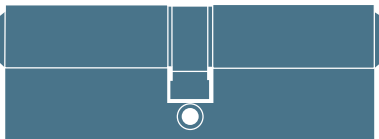
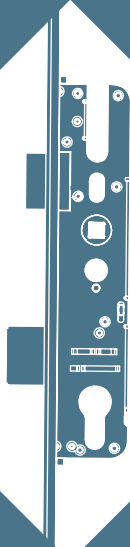
Highly-rated silicones and adhesives
Big choice of RAL colours.

Available from

**WINDOW
WARE**

We've got it





Patio Rollers	62
Indenco	62
Bi-fold Multipoint Door Locks	63-66
Yale	63-66
Bi-fold Gear	67-73
Caldwell	67-73
Flush Bolts	74-76
Axim	74-76
Electric Strikers	77
Axim	77
Deadlatches	78-79
Axim	78-79
Mortice Locks	80-81
Axim	80-81
Push Bars	82-86
Axim	82-83
Strand	84
Yale	85
Omec	86
Door Handles	87-93
Trojan	87-93
Profile Cylinders	94-101
Eurospec	97
Yale	98-101
Letterplates	102-105
Trojan	103
Yale	104-105
Door Closers	106-109
Axim	106-109
Cabin Hooks & Door Chains	110
Carlisle Brass	110
Yale	110



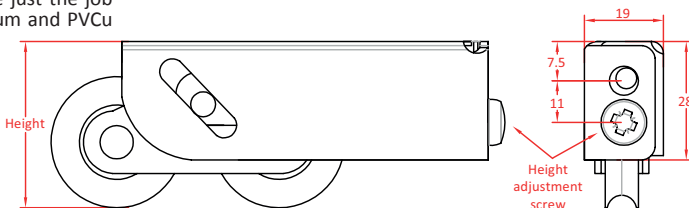
Adjustable Standard and High Lift Tandem Patio Rollers

**94kg
MAX
PER ROLLER**

Need to replace worn out or broken rollers on a sliding door?

These replacement patio rollers / patio wheels are just the job and are suitable for use on most types of aluminium and PVCu patio doors.

- Maximum load per roller: 94Kg
- Height adjustment: **standard lift** 32-42mm
high lift 39-50mm
- 1¼ inch bearings
- Body size 88 x 28 x 19mm (LxHxW)
- Corrosion resistant body - available in passivated steel or premium stainless steel
- Quality manufactured according to BS EN ISO 9001: 2015
- Designed and engineered in the UK
- Suitable for aluminium and PVCu patio doors



PART CODE	BODY COMPOSITION	BEARINGS	
STANDARD LIFT TANDEM ROLLERS			
PRL10000	Passivated Steel	Mild Steel	
PRL10000SS	Passivated Steel	Stainless Steel	
PRL10002SS	Stainless Steel	Stainless Steel	
HIGH LIFT TANDEM ROLLERS			
PRL10001	Passivated Steel	Mild Steel	
PRL10001SS	Passivated Steel	Stainless Steel	



Lockmaster Bi-fold Long with 24mm U-channel for AluK profile

Yale's hugely popular multipoint locking system now comes in a slim 28mm backset gearbox specifically designed to secure aluminium bi-fold doors. This 24mm u-channel variant suits the AluK profile to give fabricators and installers a high-security, top-quality, user-friendly bi-fold locking solution that's backed by one of the best-known brands in the business for added confidence and peace of mind.

Key features

- 24mm Yale-branded u-channel variant to suit the AluK profile
- Lockmaster renowned twin hook and anti-lift bolts for enhanced security, strength & usability.
- Deadbolt centre with an easily reversible latch to minimise stock holding
- 28mm backset with PZ92mm centre case
- Passive mechanism for French doors also available
- 2 lock lengths for flexibility to fit a range of door heights
- Quality manufactured in Britain
- Box quantity – 5 locks

Guarantee & certifications:

- Secure - PAS 24: 2016 compliant
- Long service - Tested to 100,000 cycles with a 10-year mechanical guarantee
- Trusted - Yale Lifetime Security Guarantee
- Durable – Anti-corrosion performance tested to BS EN 1670:2007 Grade 4 with a 10-year surface finish guarantee

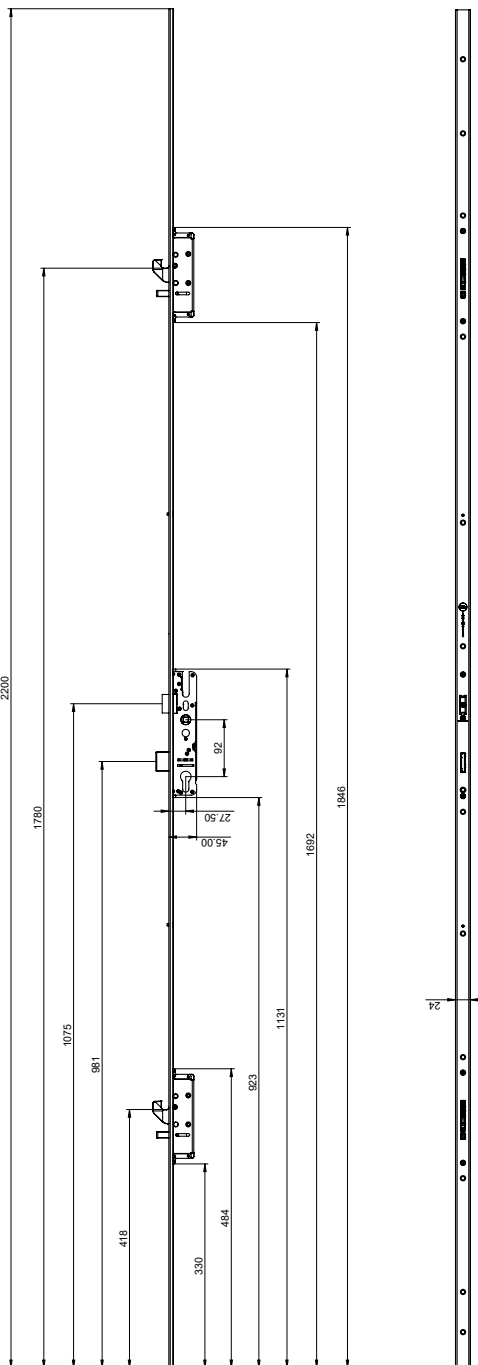
Material Specifications

- Lock Case: Galvanised Mild Steel
- Faceplate : Mild Steel, BZP and Clear Trivalent
- U-channel: Mild Steel CS4 – ST2473
- Deadbolt and Latchbolt: Zinc Alloy Casting
- Keeps : Mild Steel, BZP and Clear Trivalent

KEEPS TO SUIT

3 Piece Keep Set

Left Hand Right Hand
YBF10003 YBF10004



DESCRIPTION	CENTRE CASE	CENTRES	BACKSET	SPINDLE	HOOK & ANTI LIFT PINS	NO. OF KEEPS REQUIRED		PART CODE
						CENTRE	HOOK	
Lockmaster Bi-fold - Long Version	Latch & Deadbolt	92mm	28mm	Twin	2	1	2	YBF00528



Lockmaster Bi-fold Standard with 24mm U-channel for AluK profile



Yale's hugely popular multipoint locking system now comes in a slim 28mm backset gearbox specifically designed to secure aluminium bi-fold doors. This 24mm u-channel variant suits the AluK profile to give fabricators and installers a high-security, top-quality, user-friendly bi-fold locking solution that's backed by one of the best-known brands in the business for added confidence and peace of mind.

Key features

- 24mm Yale-branded u-channel variant to suit the AluK profile
- Lockmaster renowned twin hook and anti-lift bolts for enhanced security, strength & usability.
- Deadbolt centre with an easily reversible latch to minimise stock holding
- 28mm backset with PZ92mm centre case
- Passive mechanism for French doors also available
- 2 lock lengths for flexibility to fit a range of door heights Standard (this version) - top hook and anti-lift bolt is 1644mm from the bottom of the lock. Long (page 63) is 1790mm
- Quality manufactured in Britain
- Box quantity – 5 locks

Guarantee & certifications:

- Secure - PAS 24: 2016 compliant
- Long service - Tested to 100,000 cycles with a 10-year mechanical guarantee
- Trusted - Yale Lifetime Security Guarantee
- Durable – Anti-corrosion performance tested to BS EN 1670:2007 Grade 4 with a 10-year surface finish guarantee

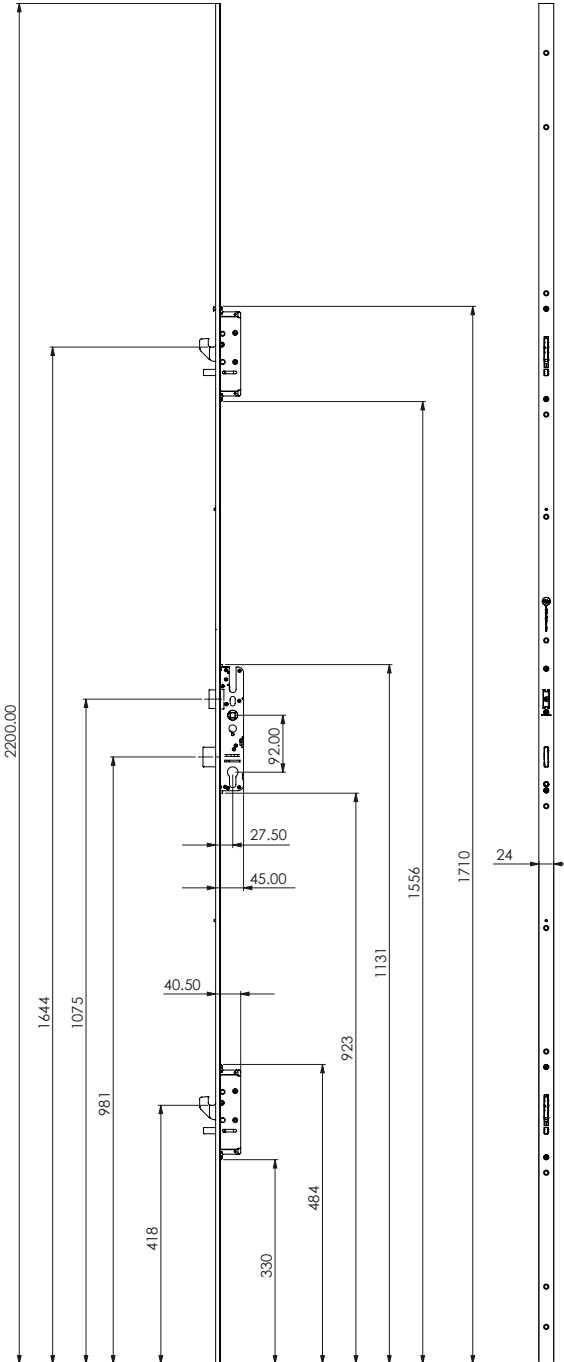
Material Specifications

- Lock Case: Galvanised Mild Steel
- Faceplate : Mild Steel, BZP and Clear Trivalent
- U-channel: Mild Steel CS4 – ST2473
- Deadbolt and Latchbolt: Zinc Alloy Casting
- Keeps : Mild Steel, BZP and Clear Trivalent

KEEPS TO SUIT

3 Piece Keep Set

Left Hand **Right Hand**
 YBF10003 YBF10004



DESCRIPTION	CENTRE CASE	CENTRES	BACKSET	SPINDLE	HOOK & ANTI LIFT PINS	NO. OF KEEPS REQUIRED		PART CODE
						CENTRE	HOOK	
Lockmaster Bi-fold - Standard Version	Latch & Deadbolt	92mm	28mm	Single	2	1	2	YBF00428



Lockmaster Bi-fold Short with 16mm Faceplate for Smarts & Exlabesa profiles

Yale's top-selling multipoint door lock now comes in a 28mm backset gearbox to fit modern narrow door sets and the slim sightline profiles of today's increasingly popular aluminium bi-fold doors. This 16mm euro groove version works with Smarts and Exlabesa profiles, to deliver industry-leading security, British quality, proven usability and long service life. For fabricators that already know and prefer the Lockmaster brand, this latest offering lets them suite across their entire door range.

Key features

- Standard Yale-branded 16mm faceplate to suit Smarts and Exlabesa profiles
- Lockmaster renowned twin hook and anti-lift bolts for enhanced security, strength & usability.
- Deadbolt centre with an easily reversible latch to minimise stock holding
- Pre-compression roller engagements cams achieve excellent weather-proofing
- 28mm backset with PZ92mm centre case
- Passive mechanism for French doors also available
- Quality manufactured in Britain
- Box quantity – 5 locks

Guarantee & certifications:

- Secure - PAS 24: 2016 compliant
- Long service - Tested to 100,000 cycles with a 10-year mechanical guarantee
- Trusted - Yale Lifetime Security Guarantee
- Durable – Anti-corrosion performance tested to BS EN 1670:2007 Grade 4 with a 10-year surface finish guarantee

Material Specifications

- Lock Case: Galvanised Mild Steel
- Faceplate : Mild Steel, BZP and Clear Trivalent
- U-channel: Mild Steel CS4 –ST2473
- Deadbolt and Latchbolt: Zinc Alloy Casting
- Keeps : Mild Steel, BZP and Clear Trivalent

KEEPS TO SUIT

1 Piece Keep includes packers for Smarts

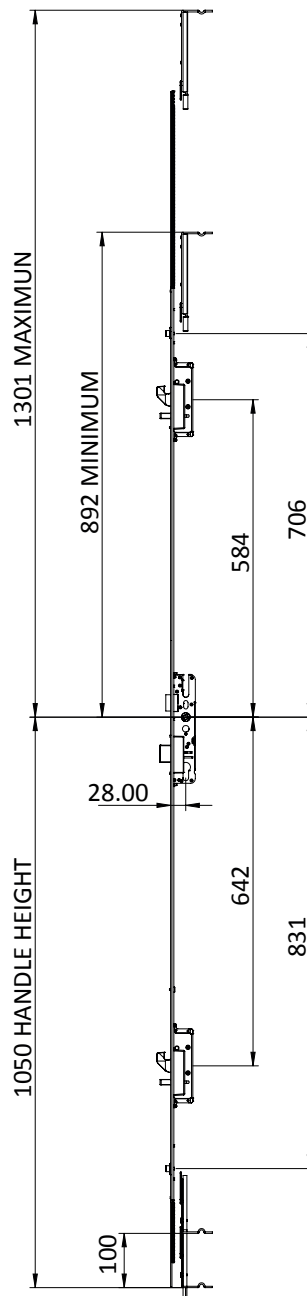
Left Hand Right Hand
YBF11241 YBF11242

1 Piece Keep without packers

Left Hand Right Hand
YBF10001 YBF10002

Seperate packers

Smarts Exlabesa
PAD80124 PAD80027



DESCRIPTION	CENTRE CASE	CENTRES	BACKSET	SPINDLE	ROLLER	HOOK & ANTI LIFT PINS	NO. OF KEEPS REQUIRED		PART CODE
							CENTRE	HOOK	
Lockmaster Bi-fold	Latch & Deadbolt	92mm	28mm	Single	2	2	1 x One Piece Handed		YBF00128
Lockmaster Bi-fold - Passive Lock	No Locking Points	92mm	28mm	Single	-	-	-	-	YBF00328



Lockmaster Double Door Bi-fold Lock with 16mm Faceplate for Smarts & Exlabesa profiles



Yale's top-selling multipoint door lock now comes in a 28mm backset gearbox to fit modern narrow door sets and the slim sightline profiles of today's increasingly popular aluminium bi-fold doors. Available in a **16mm eurogroove** version which works with Smarts profile. For fabricators that already know and prefer the Lockmaster brand, this latest offering lets them suite across their entire door range.

Key features

- Standard Yale-branded **16mm eurogroove faceplate** to suit Smarts profile
- Lockmaster renowned twin hook with 20mm projection for enhanced security, strength & usability
- Deadbolt centre with an easily reversible latch to minimise stock holding
- Pre-compression roller engagements cams achieve excellent weather-proofing
- 28mm backset with PZ92mm centre case
- **16mm eurogroove** passive mechanism for French doors also available
- Yale Lockmaster 28mm 1-piece handed keep also available with or without packers

for standard 16mm eurogroove lock

- Quality manufactured in Britain

Guarantee & certifications:

- Secure - PAS 24: 2016 compliant
- Long service - Tested to 100,000 cycles with a 10-year mechanical guarantee
- Trusted - Yale Lifetime Security Guarantee
- Durable - Anti-corrosion performance tested to BS EN 1670:2007 Grade 4 with a 10-year surface finish guarantee

Material Specifications

- Lock Case: Galvanised Mild Steel
- Faceplate : Mild Steel, BZP and Clear Trivalent
- U-channel: Mild Steel CS4 -ST2473
- Deadbolt and Latchbolt: Zinc Alloy Casting
- Keeps : Mild Steel, BZP and Clear Trivalent

KEEPS TO SUIT

1 Piece Keep includes packers for Smarts

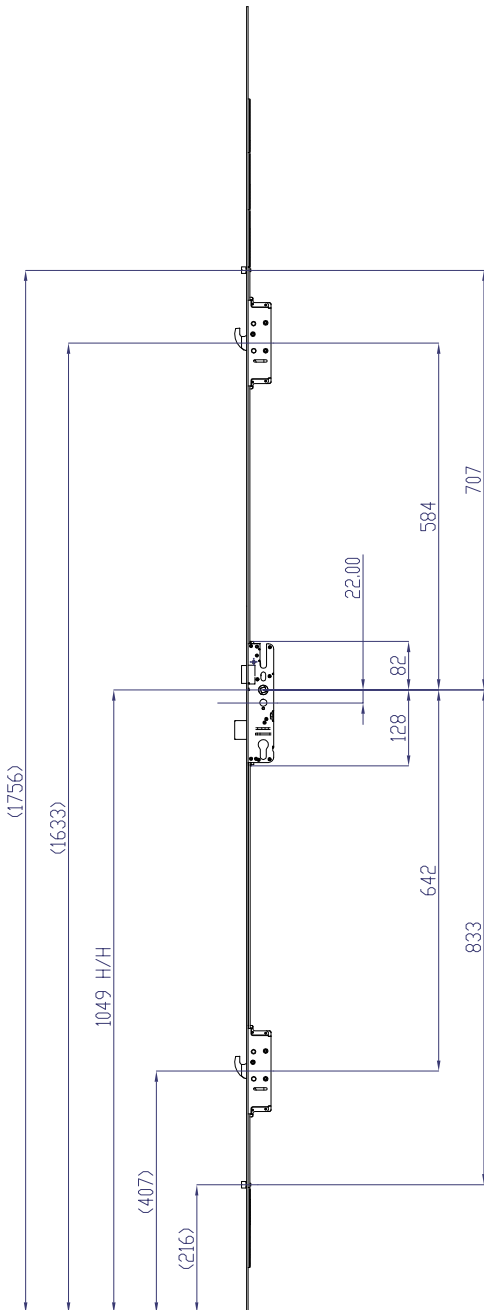
Left Hand	Right Hand
YBF11241	YBF11242

1 Piece Keep without packers

Left Hand	Right Hand
YBF10001	YBF10002

Separate packers

Smarts	Exlabesa
PAD80124	PAD80027



DESCRIPTION	CENTRE CASE	CENTRES	BACKSET	SPINDLE	ROLLER	HOOK	NO. OF KEEPS REQUIRED		PART CODE
							CENTRE	HOOK	
Lockmaster Double Door Bi-fold Lock, 16 x 2200mm Faceplate	Latch & Deadbolt	92mm	28mm	Single	2	2	1 x One Piece Handed		YBF00628



Bi-fold Hardware



Hardware to suit all folding door configurations and materials

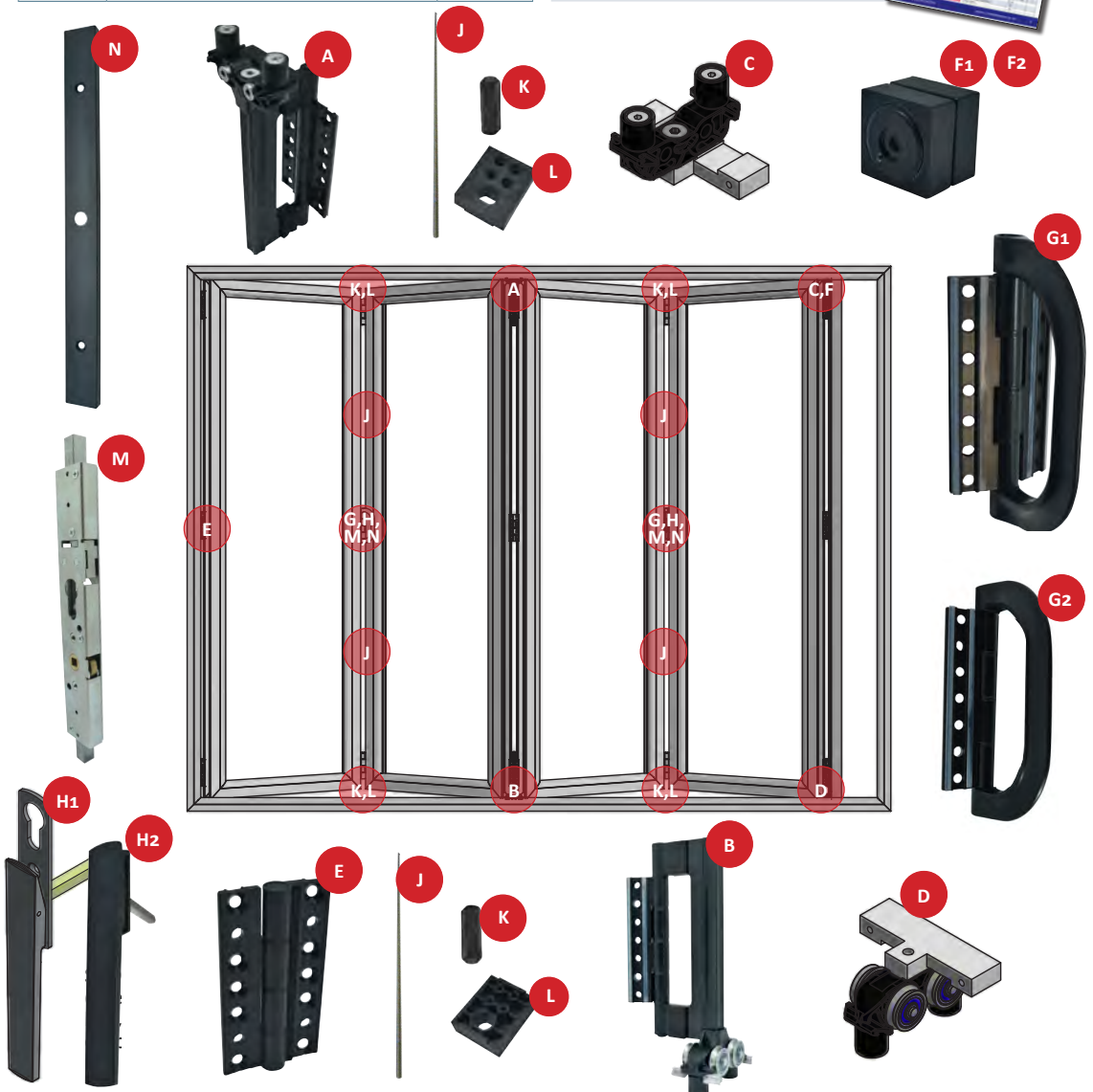
Features:

- Complete range of hinges, handles, rollers and more
- High-quality components
- Strong and durable
- Smooth slide and open mechanism
- Fully tested to PAS 24

Call sales on 01234 242724 to request your copy of our **Fabricators Manual** or scan the code to download a PDF



KEY	DESCRIPTION	PAGE NO.
A	Top Guide Assembly	66
B	Roller Assembly	66
C	Mullion Top Guide for Passive Door	67
D	Mullion Roller for Passive Door	67
E	Door Hinge	69
F1 & F2	Door Magnets	69
G1	D-handle with Hinge	68
G2	Stack-in D-handle Hinge	68
H1	Flat Door Handle with Escutcheon	71
H2	Flat Door Handle without Escutcheon	71
J	Shootbolt Rods	71
K	Shootbolt Rod Cone	71
L	Shootbolt Rod Guide	71
M	Shootbolt Gearbox	70
N	Shootbolt Gearbox Cover	70



CALDWELL BI-FOLD DOOR HARDWARE



Bi-fold Door Top Guide Assembly

100kg
MAX
PER PANEL

10
YEAR WARRANTY

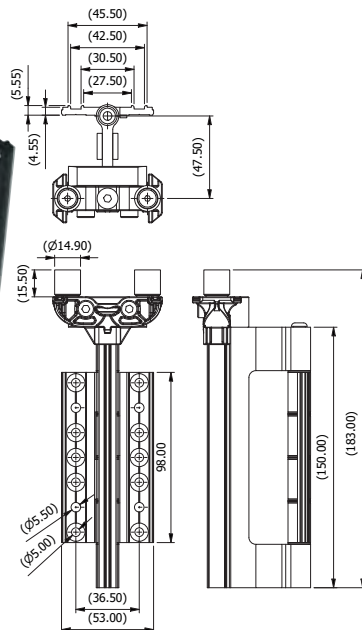
PAS 24
PASSED

This top guide assembly from Caldwell Hardware is used above the roller at the top of bi-fold door installations wherever two hinged door leaves sit in the running track. It works with the bi-fold roller to ably support moving door panels top and bottom and keep the whole system consistently tracking and operating smoothly.

- Security tested to PAS 24
- Quality manufactured to BS EN ISO 9001:2015
- All rollers, clamp plates and fittings supplied
- Suitable for door panels up to 100kg and 1200mm wide*
- Chrome-plated brass wheels & high-quality bearings achieve smooth sliding function
- Main body manufactured from corrosion-resistant die-cast ZP5 Zinc alloy
- Available in black RAL9005, HIPCA white, polished chrome and brushed steel
- 10-year manufacturer's warranty

* Please refer to the fabricators' manual for guidance on maximum panel size and glass thickness.

DOWNLOAD: A PDF of the Fabricators Manual now at windowware.co.uk/caldwell-literature



A

HIPCA WHITE	CHROME	BRUSHED STEEL	BLACK RAL9005	BOX QTY.
CBF21000	CBF21002	CBF21003	CBF21005	10



Standard Bi-fold Roller Assembly

100kg
MAX
PER PANEL

10
YEAR WARRANTY

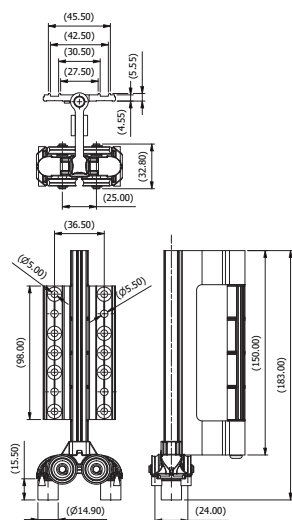
PAS 24
PASSED

These robust bi-fold rollers are used at the bottom of folding door installations wherever two hinged panels are sitting directly onto the track. Each roller assembly works with a top guide to support the moving door leaves top and bottom and keep your bi-fold door system consistently tracking smoothly.

- Security tested to PAS 24
- Quality manufactured to BS EN ISO 9001:2015
- All rollers, clamp plates and fittings supplied
- Suitable for door panels up to 100kg and 1200mm wide*
- Chrome-plated brass wheels & high-quality bearings mounted on 303 austenitic stainless-steel axles achieve smooth sliding function
- Main roller body manufactured from die-cast ZP5 Zinc alloy
- Available in black RAL9005, HIPCA white, polished chrome and brushed steel
- 10-year manufacturer's warranty

* Please refer to the fabricators' manual for guidance on maximum panel size and glass thickness.

DOWNLOAD: A PDF of the Fabricators Manual now at windowware.co.uk/caldwell-literature



B

HIPCA WHITE	CHROME	BRUSHED STEEL	BLACK RAL9005	BOX QTY.
CBF20000	CBF20002	CBF20003	CBF20005	10



10
YEAR WARRANTY

PAS 24
PASSED

Mullion Top Guide for Passive Bi-fold Door

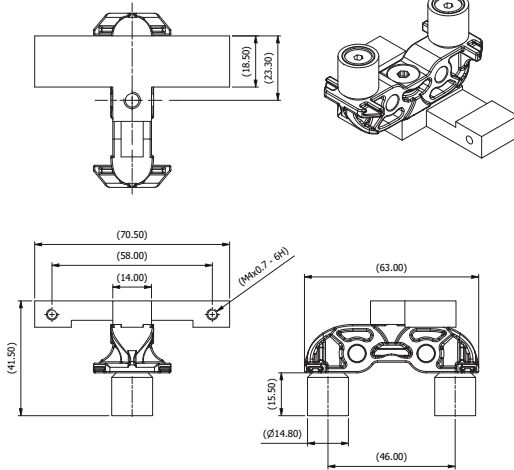


Used when you have an uneven number of bi-fold door panels, the mullion top guide sits in the nylon track at the top corner of a single hinged door panel and works with the mullion roller at the bottom to ensure effortlessly smooth fold and slide operation.

- Security tested to PAS 24
- Quality manufactured to BS EN ISO 9001:2015
- Suitable for door panels up to 100kg and 1200mm wide*
- Chrome-plated brass wheels & high-quality bearings achieve smooth sliding function
- Main body manufactured from corrosion-resistant die-cast ZP5 Zinc alloy
- Mounted on austenitic stainless-steel spindles
- Available in black RAL9005 and HIPCA white
- 10-year manufacturer's warranty

* Please refer to the fabricators' manual for guidance on maximum panel size and glass thickness.

DOWNLOAD: A PDF of the Fabricators Manual now at windowware.co.uk/caldwell-literature



HIPCA WHITE	BLACK RAL9005	BOX QTY.
CBF31000	CBF31005	10



10
YEAR WARRANTY

PAS 24
PASSED

Mullion Roller for Passive Bi-fold Door

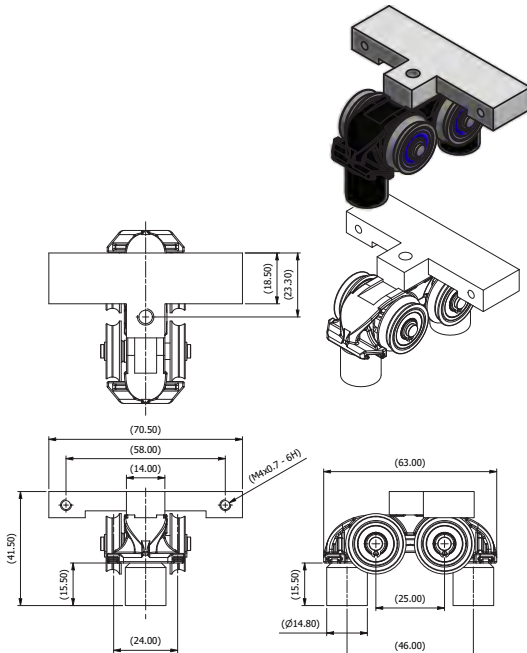


Used when you have an uneven number of bi-fold door panels, this single mullion roller sits in the nylon track at the bottom of a single hinged door panel and works with the mullion top guide to ensure effortlessly smooth fold and slide operation.

- Security tested to PAS 24
- Quality manufactured to BS EN ISO 9001:2015
- Suitable for door panels up to 100kg and 1200mm wide*
- Chrome-plated brass wheels & high-quality bearings achieve smooth sliding function
- Main body manufactured from corrosion-resistant die-cast ZP5 Zinc alloy
- Available in black RAL9005 and HIPCA white
- 10-year manufacturer's warranty

* Please refer to the fabricators' manual for guidance on maximum panel size and glass thickness.

DOWNLOAD: A PDF of the Fabricators Manual now at windowware.co.uk/caldwell-literature



HIPCA WHITE	BLACK RAL9005	BOX QTY.
CBF30000	CBF30005	10



Bi-fold Door D-Handle with Hinge

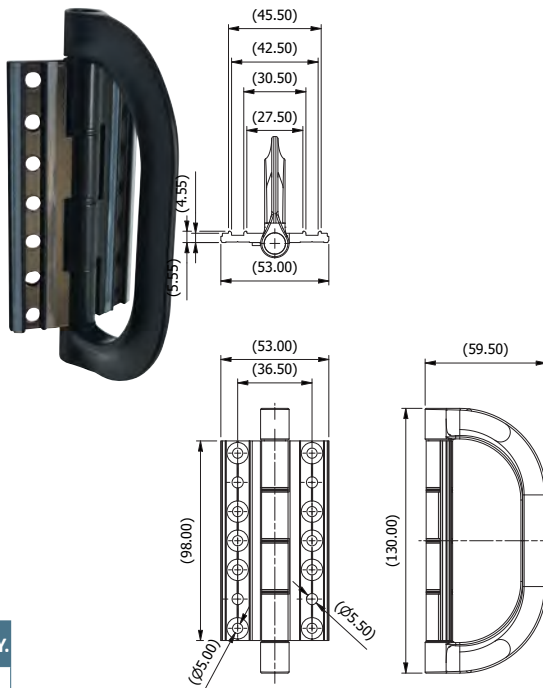
This D-handle with hinge is used instead of a centre hinge on stack-out bi-fold door configurations where two hinged panels do not sit on the track, providing extra leverage to pull the panels shut. All Caldwell bi-fold hinges are designed to form a strong, flexible and secure joint between door leaves, as well as give a smooth, superior folding action.

- Security tested to PAS 24
- Quality manufactured to BS EN ISO 9001:2015
- All clamp plates and fittings supplied
- Suitable for door panels up to 100kg and 1200mm wide*
- Ergonomic D-handle made from die cast zinc
- Hinge made from extruded aluminium for greater toughness and accuracy with stainless steel pins for strength and durability
- Available in black RAL9005, HIPCA white, polished chrome and brushed steel
- 10-year manufacturer's warranty

* Please refer to the fabricators' manual for guidance on maximum panel size and glass thickness.

DOWNLOAD: A PDF of the Fabricators Manual now at windowware.co.uk/caldwell-literature

	HIPCA WHITE	CHROME	BRUSHED STEEL	BLACK RAL9005	BOX QTY.
G1	CBF50000	CBF50002	CBF50003	CBF50005	10



Bi-fold Door Stack-in D-Handle Hinge

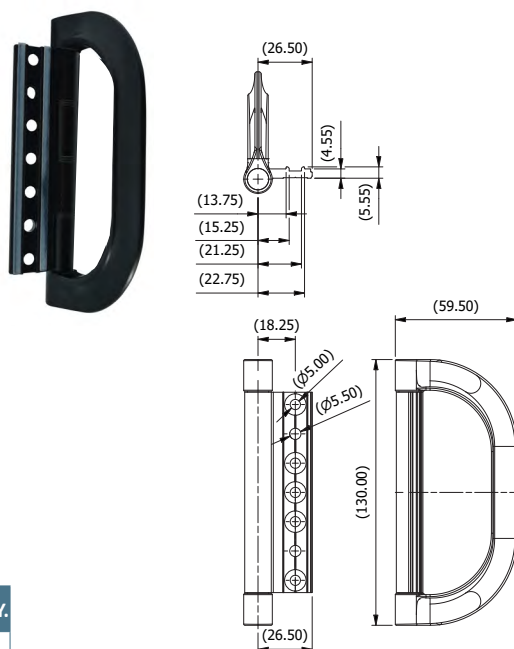
This open-in bi-fold door pull D-handle from Caldwell is designed for internal use on bi-fold door systems to deliver a firm, comfortable hold when opening and closing stack-in door sets.

- Security tested to PAS 24
- Quality manufactured to BS EN ISO 9001:2015
- All clamp plates and fittings supplied
- Suitable for door panels up to 100kg and 1200mm wide*
- Comfortable ergonomic D-handle made from die cast zinc
- Available in black RAL9005, HIPCA white, polished chrome and brushed steel
- 10-year manufacturer's warranty

* Please refer to the fabricators' manual for guidance on maximum panel size and glass thickness.

DOWNLOAD: A PDF of the Fabricators Manual now at windowware.co.uk/caldwell-literature

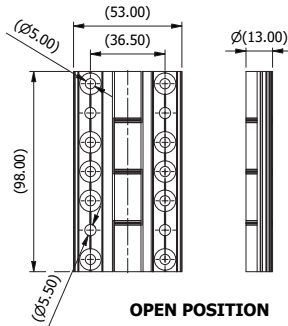
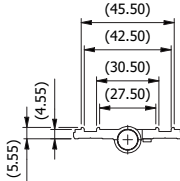
	HIPCA WHITE	CHROME	BRUSHED STEEL	BLACK RAL9005	BOX QTY.
G2	CBF51000	CBF51002	CBF51003	CBF51005	10





Bi-fold Door Hinge

These high-quality PAS 24 compliant hinges are used to form a joint between two door panels or between the hinged door and frame to achieve a smooth, superior folding operation. And once the doors are shut, they'll ensure a flush, firm and secure seal to keep out moisture or drafts and deter burglars.



- Security tested to PAS 24
- Quality manufactured to BS EN ISO 9001:2015
- All clamp plates and fittings supplied
- Suitable for door panels up to 100kg and 1200mm wide*
- Hinge made from extruded aluminium for greater toughness and accuracy
- Hinge pins are stainless steel for strength and durability
- Available in black RAL9005, HIPCA white, polished chrome and brushed steel
- 10-year manufacturer's warranty

* Please refer to the fabricators' manual for guidance on maximum panel size and glass thickness.

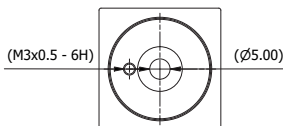
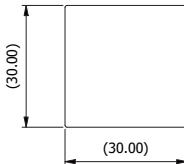
DOWNLOAD: A PDF of the Fabricators Manual now at windowware.co.uk/caldwell-literature

HIPCA WHITE	CHROME	BRUSHED STEEL	BLACK RAL9005	BOX QTY.
CBF40000	CBF40002	CBF40003	CBF40005	10



Square Bi-fold Door Magnet

These bi-fold door magnets/bi-fold magnetic door catches from Caldwell hardware are available in two different sizes and are used to firmly and safely hold the door leaves in the folded position.



- Cube sizes: 26mm = 2 x (30 x 30 x 12.8mm)
60mm = 2 x (30 x 30 x 30.6mm)
- Quality manufactured to BS EN ISO 9001:2015
- Designed to work on door panels up to 100kg and 1200mm wide*
- 10-year manufacturer's warranty
- Available finishes: black RAL9005, HIPCA white, polished chrome, brushed steel

* Please refer to the fabricators' manual for guidance on maximum panel size and glass thickness.

DOWNLOAD: A PDF of the Fabricators Manual now at windowware.co.uk/caldwell-literature

SIZE	HIPCA WHITE	CHROME	BRUSHED STEEL	BLACK RAL9005	BOX QTY.
26mm	CBF72600	CBF72602	CBF72603	CBF72605	10
60mm	CBF76000	CBF76002	CBF76003	CBF76005	10



Bi-fold Door Locking Shootbolt Gearbox

100kg
MAX PER PANEL

10
YEAR WARRANTY

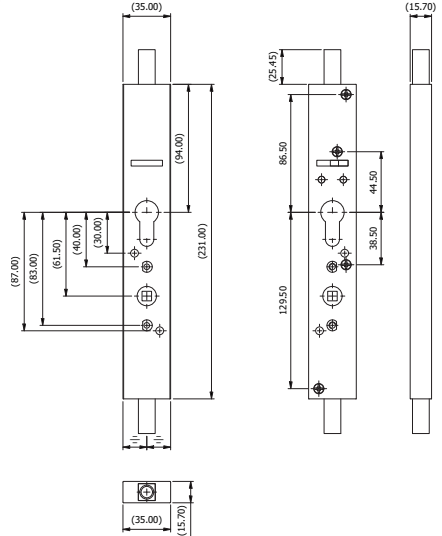
PAS 24
PASSED

Caldwell's rugged locking mechanism for bi-fold doors can be fitted to secure folding door sets in the closed position. The gearbox drives a sturdy 10mm wide shootbolt from the traffic door so it can't be forced open. This delivers PAS 24 certified security performance that meets Document Q requirements for new builds and brings added peace of mind to homeowners.

- Security tested to PAS 24
- Quality manufactured to BS EN ISO 9001:2015
- Suitable for door panels up to 100kg and 1200mm wide*
- 10-year manufacturer's warranty

* Please refer to the fabricators' manual for guidance on maximum panel size and glass thickness.

DOWNLOAD: A PDF of the Fabricators Manual now at windowware.co.uk/caldwell-literature



M

PART CODE	BOX QTY.
CBF60000	10



Cover for Caldwell Bi-fold Door Shootbolt Gearbox

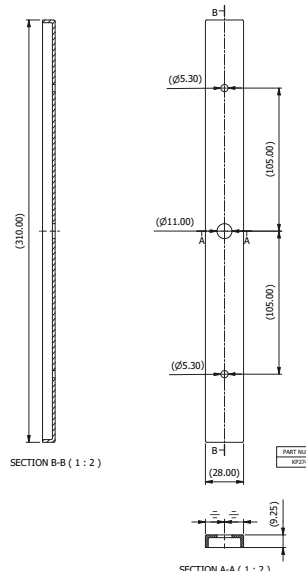
100kg
MAX PER PANEL

10
YEAR WARRANTY

This black plastic cover is designed to hide the shootbolt lock recess on the traffic door of a fold and slide door installation to give a neat and streamlined finish.

- Made from black nylon
- Quality manufactured to BS EN ISO 9001:2015
- 10-year manufacturer's warranty

DOWNLOAD: A PDF of the Fabricators Manual now at windowware.co.uk/caldwell-literature

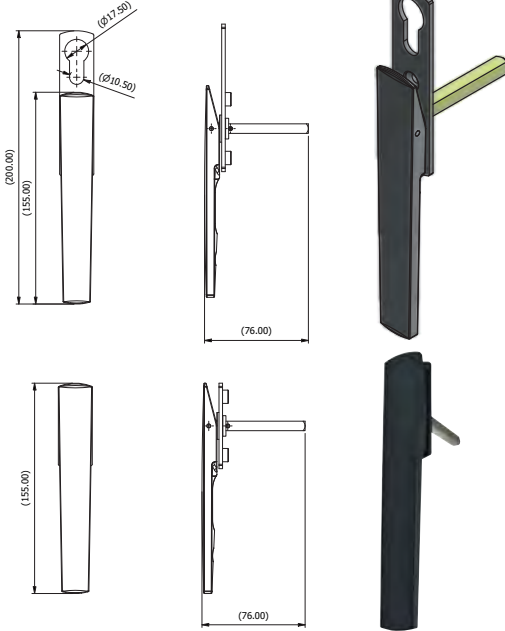


N

BLACK RAL9005	BOX QTY.
CBF61000	10



Bi-fold Door Handle with or without Escutcheon



Part of the Caldwell folding door hardware range, this sleek and robust bi-fold shootbolt door handle accommodates a cylinder and works with the locking gearbox to operate the shootbolt system and secure the traffic door. Locking handles like these offer excellent crime-beating protection and increased peace of mind to keep security-conscious homeowners and insurance providers happy.

- Security tested to PAS 24
- Quality manufactured to BS EN ISO 9001:2015
- Suitable for door panels up to 100kg and 1200mm wide*
- Available in black RAL9005, HIPCA white, polished chrome, brushed steel and gold
- 10-year manufacturer's warranty

* Please refer to the fabricators' manual for guidance on maximum panel size and glass thickness.

DOWNLOAD: A PDF of the Fabricators Manual now at windowware.co.uk/caldwell-literature

FINISH	H1		BOX QTY.
	WITH ESCUTCHEON	WITHOUT ESCUTCHEON	
HIPCA WHITE	CBF10000	CBF11000	10
CHROME	CBF10002	CBF11002	10
BRUSHED STEEL	CBF10003	CBF11003	10
GOLD	CBF10009	CBF11009	10
BLACK RAL9005	CBF10005	CBF11005	10



Shootbolt Rods, Cones & Guides



Caldwell bi-fold door M10 threaded rod - This shootbolt rod works with the Caldwell bi-fold locking gearbox to secure the traffic door on folding door installations against forced entry.

- M10 x 1500mm long rods
- Security tested to PAS 24
- Designed to work on door panels up to 100kg and 1200mm wide*

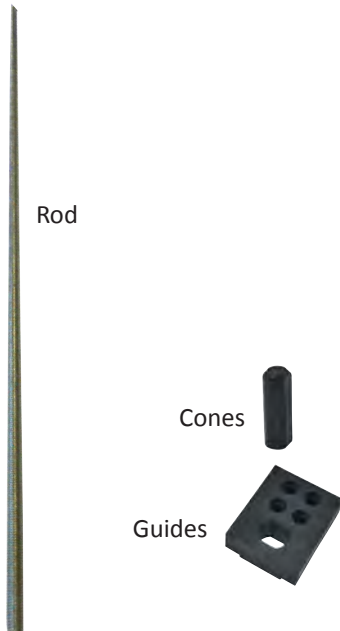
Caldwell bi-fold door shootbolt rod end guide - Secured and mounted to the face of the sash, this end guide works with the rod end cone on a shootbolt rod to guide the locking mechanism into location and aid compression.

Caldwell bi-fold door shootbolt rod end cone - Screwed to the end of the M10 threaded shootbolt rod, this end cone works with the rod end guide to direct the locking mechanism into location and aid compression.

- Quality manufactured to BS EN ISO 9001:2015
- Suitable for door panels up to 100kg and 1200mm wide*
- 10-year manufacturer's warranty

* Please refer to the fabricators' manual for guidance on maximum panel size and glass thickness.

DOWNLOAD: A PDF of the Fabricators Manual now at windowware.co.uk/caldwell-literature



TYPE	M10 x 1500mm	H2	
		BLACK RAL9005	BOX QTY.
J ROD	CBF61500	-	5
K CONE	-	CBF62000	50
L GUIDE	-	CBF62100	50

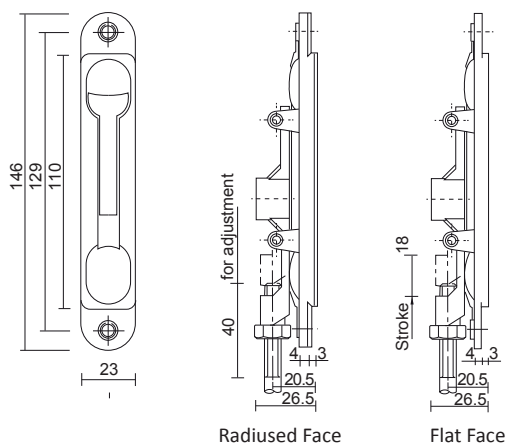
FLUSH BOLTS



Axim FB-6200 23mm Wide Flush Bolts

These finger-operated shoot bolts work to secure the passive leaf on double aluminium door assemblies. They are rebated into the leading edge or inside face of the door and operated by a lever which sits flush when the bolt is engaged and the door is closed. To ensure ease of operation, Axim FB series flush bolts have a deep finger recess and large lever. A standard installation requires two flush bolts morticed into the top and bottom of the door. For maximum security the Axim flush bolt has a hardened steel bolt, zinc plated with an anti-rattle sleeve.

- Smooth lever action flush bolts
- Radiused faced or flat faced available
- Mounted in the leading edge or inside face of the passive leaf of a pair of doors
- Manufacturer's guarantee: 30 months
- Available in one fully threaded length, 305mm (12") which can be cut to suit
- Silver satin chrome finish
- Shoot bolt: 18 mm diameter and a die cast zinc alloy body mechanism
- Fixings included

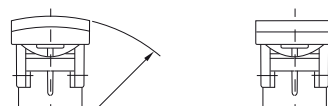


Radiused Face

Flat Face

Radiused Face

Flat Face



R 50

FACE PLATE	LENGTH	PART CODE	BOX QTY
Radius Face	305mm	AFB620112R	1
Square Face	305mm	AFB620112F	1

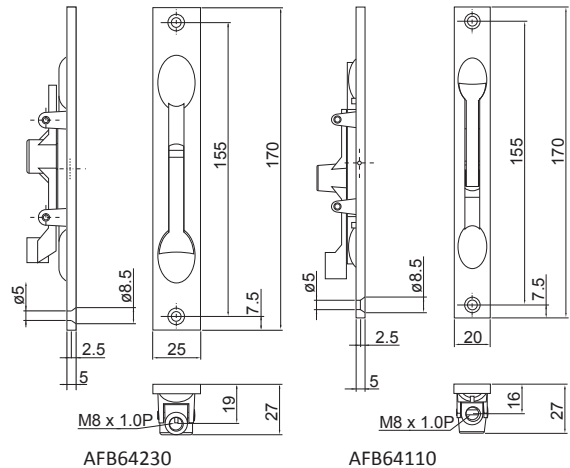


Axim FB-6300 20mm Wide
& FB-6400 25mm Wide
Flush Bolts



These finger-operated shoot bolts work to secure the passive leaf on double aluminium door assemblies. They are rebated into the leading edge or inside face of the door and operated by a lever which sits flush when the bolt is engaged and the door is closed. To ensure ease of operation, Axim FB series flush bolts have a deep finger recess and large lever. A standard installation requires two flush bolts morticed into the top and bottom of the door. For maximum security the Axim flush bolt has a hardened steel bolt, zinc plated with an anti-rattle sleeve.

- Hardened steel zinc plated bolt with anti-rattle sleeve
- 18mm bolt stroke
- 7mm zinc plated steel rod with fully threaded length for easy adaption to non-standard door installations
- Length: 110mm or 230mm
- “Centre Punch” tip to mark centre of keep
- Die cast zinc alloy body mechanism
- Fixing holes tapped M5
- Fixings included
- Manufacturer’s guarantee: 30 months
- Deep finger recess and large lever for ease of operation
- Available in 25mm and 20mm widths



TYPE	WIDTH	LENGTH	PART CODE	BOX QTY
FB-6400	20mm	110mm	AFB64110	10
FB-6300	25mm	230mm	AFB64230	10

FLUSH BOLT ACCESSORIES



FB-6200 Series Flush Bolt Extension Rods

These extension rods work with the Axim FB-62 Series Flush Bolts to accommodate taller doors.

- Choose from 20" or 36" lengths
- 30 months manufacturer's guarantee

BAR LENGTH	PART CODE	BOX QTY
20 inch	AFB62200	1
36 inch	AFB62360	1

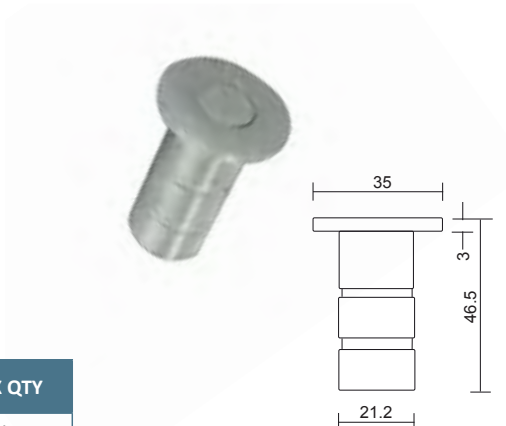


Flush Bolt Sprung Loaded Socket Keep

This floor socket keep works with Axim FB-6200 and FB-6000 series flush bolts.

- Sprung loaded
- Dust resistant
- Satin chrome finish
- 30 months manufacturer's guarantee

HEIGHT	TOP DIAMETER	BOTTOM DIAMETER	PART CODE	BOX QTY
465mm	35mm	21.2mm	AFB62035	1



Axim ES-2200 Electric Strike

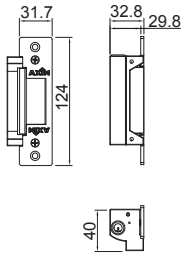


The Axim ES-2200 series of electric strikes are an ANSI style door release designed to work with most leading brand deadlocking night latch locks. They come complete with stainless-steel short and long faceplates for use in most metal or timber door frame applications. The Axim ES-2200 series are shipped as fail-secure and can be converted to fail-safe mode by the simple removal of a screw. The Axim ES-2200 can also be set to 12V or 24V by simply re-configuring the wires in a different sequence.

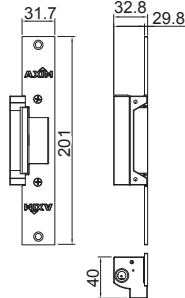
- 450kg Holding Force
- Simple fail-safe/fail-secure changeover
- Easy installation
- Can be set to 12/24V AC/DC on site
- AC fail-secure only & DC fail-safe/fail-secure
- Comes with stainless-steel flat design face plates in two sizes:
Short: 124mm x 31.7mm, Long - 201.5mm x 31.7mm
- Simple, effective replacement for most leading brand ANSI electric releases
- Supplied with 250mm of cable
- 10mm, 25mm and 50mm extension lips available
- Power consumption and current draw: 12/24V DC – 300mA, 24/24V DC – 150mA



Short Faceplate



Long Faceplate



PART CODE	BOX QTY
AES22000S	1



Axim Extension Lip for ES-2200 Electric Striker



If you're fitting the Axim ES-2200 electric strike to a deep door frame, then these extension lips will help to protect the frame and create a neater, professional finish on the install cut-out.

- Available in three sizes – 10mm, 25mm or 50mm

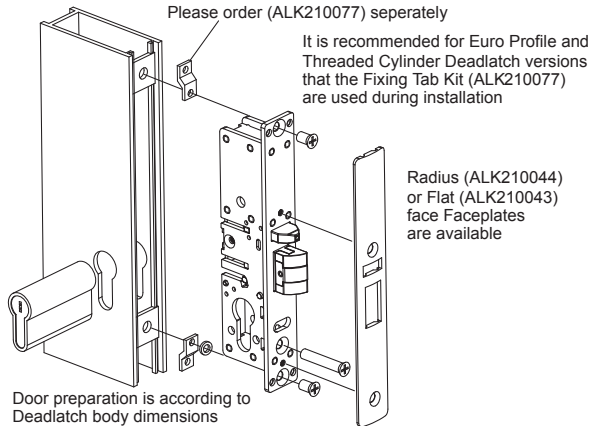
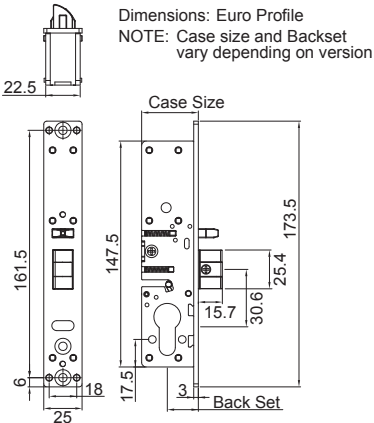
	SIZE	PART CODE	BOX QTY
1	10mm	AES220010	1
2	25mm	AES220025	1
3	50mm	AES220050	1



LK-2100 Series Reversible Deadlatch

The Axim LK-2100 series fully reversible deadlatch is non-handed for ultimate flexibility, cost-effectiveness and reduced stock holding. The LK-2100 deadlatch series accepts euro profile cylinders, with a choice of 25, 28 and 38mm backsets and strike plates to suit most single and double door configurations. An all metal case, sturdy construction and hardened steel pins help to prolong life and resist burglar attack.

- Latch bolt can be reversed without opening the deadlatch case
- Accepts euro profile cylinders
- 3 backsets available: 25mm, 28mm and 38mm
- Strike plates available to suit single and double door applications
- A reverse turn of the key while the bolt is retracted retains the latch in the case to allow two-way traffic when required
- All metal case and strong construction prevent certain unauthorised case entry
- Flat face or radius face faceplates available separately
- Suitable for use with the ES-2200 Electric Strikes
- 30 months manufacturer's guarantee



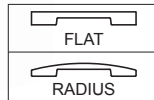
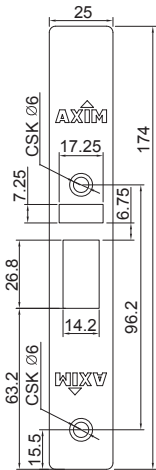
CYLINDER TYPE	BACKSET	PART CODE	BOX QTY
Euro Profile	25mm	ALK21025E	12
Euro Profile	28mm	ALK21028E	12
Euro Profile	38mm	ALK21038E	12



Faceplate for
LK-2100 Series Reversible
Deadlatches

These faceplates are used with Axim's LK-2100 Series euro profile reversible deadlatches to offer flexible access control on commercial doors both during and after business hours.

- Flat or radius faceplates available
- Natural satin silver anodized finish
- Specified for use alongside the Axim ES-2200 Electric Striker
- The fixing tab kit (ALK210077 below) is recommended for use during installation
- 30-months manufacturers guarantee

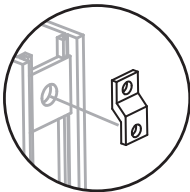


SIZE	SHAPE	PART CODE	BOX QTY.
25 x 174mm	Square Flat	ALK210043	1
25 x 174mm	Raised Radius	ALK210044	1

Faceplate Fixing Tab Kit for
LK-2100 Series Reversible
Deadlatches



These fixing tab kits are recommended for use during installation and help to ensure the faceplate is installed firmly and securely into a euro profile door.



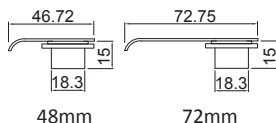
TO FIT	PART CODE	BOX QTY.
LK-2100	ALK210077	1 pair

Flat Strike Plate for
LK-2100 Series Reversible
Deadlatches



These flat strike plates are used with Axim's LK-2100 Series euro profile reversible deadlatches to offer flexible access control on commercial doors both during and after business hours.

- Available widths: 48mm & 72mm



WIDTH	PART CODE	BOX QTY.
48mm	ALK216516	1
72mm	ALK217515	1

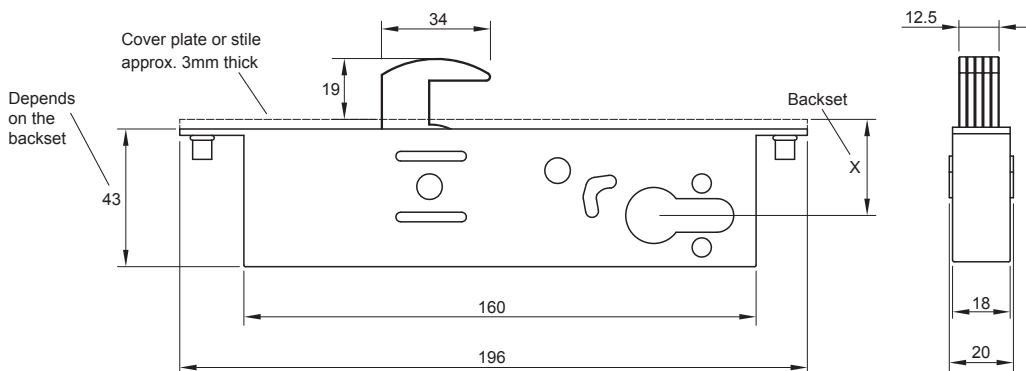
MORTICE HOOK LOCKS



Axim LK-1800 Series Mortice Hook Lock

If you're looking for a secure and affordable quality deadlocking system for narrow stile hollow metal doors, then the Axim LK-1800 mortice hook lock is just the job. A heavy-duty 5 ply laminated hook lock clasps the keep and stops the door from being separated from the frame, while a hardened case and roll pin resists hacksawing. The LK-1800 series accepts standard euro and round profile cylinders, with a choice of 25, 30 and 40mm backsets to suit most single and double aluminium or steel door configurations.

- Hacksaw-resistant 5-ply laminated hook bolt, hardened centre case and roll pin
- 19mm bolt throw
- Suitable for centre hung or offset pivot double or single aluminium and steel door assemblies
- Available in 25mm, 30mm and 40mm backset options
- Axim locks are designed to accept euro profile cylinders as standard (round cylinder version on special order)
- Flat (ALK18010F) or radius (ALK18010R) faceplates available with a natural satin silver anodized finish
- Steel case and mechanism have a corrosion-resistant zinc coating
- 30 months manufacturer's guarantee



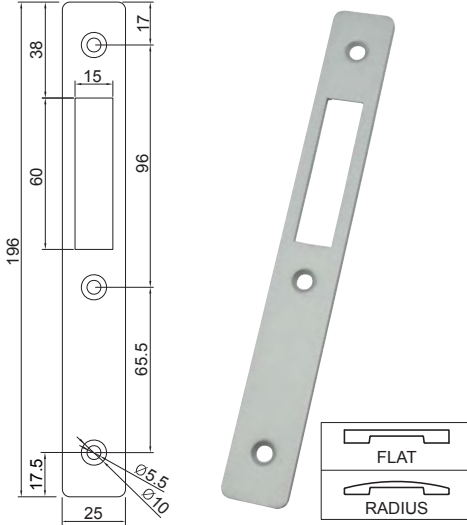
LOCKING TYPE	CASE SIZE	BACKSET	PART CODE	BOX QTY
Hookbolt	196 x 18 x ?mm	25mm	ALK18025E	1
Hookbolt	196 x 18 x 43mm	30mm	ALK18030E	1
Hookbolt	196 x 18 x ?mm	40mm	ALK18040E	1

Axim Faceplate for LK-1800 Series Mortice Hook Lock



These faceplates are used with Axim's LK-1800 Series Mortice Hook Locks to deliver secure and affordable quality deadlocking on aluminium or steel commercial door installations.

- Flat or radius faceplates available
- Natural satin silver anodized finish

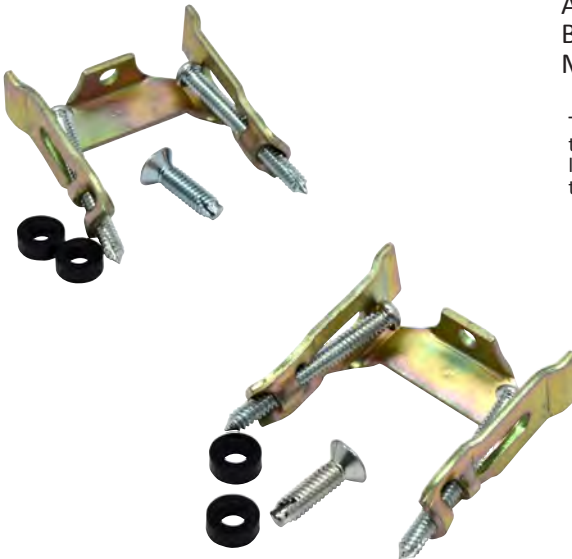


SIZE	SHAPE	SILVER	BOX QTY.
163 x 25 x 2.85mm	Square Flat	ALK18010F	1
163 x 25 x 2.85mm	Raised Radius	ALK18010R	1

Axim Pair of Mounting Bridges for LK-1800 Series Mortice Hook Lock



These mounting bridges are recommended for use when fitting the Axim LK-1800 mortice hook lock. They sit inside the master leaf on an aluminium door set and the main lock is screwed to them.



PART CODE	BOX QTY.
ALK181133	1 pair

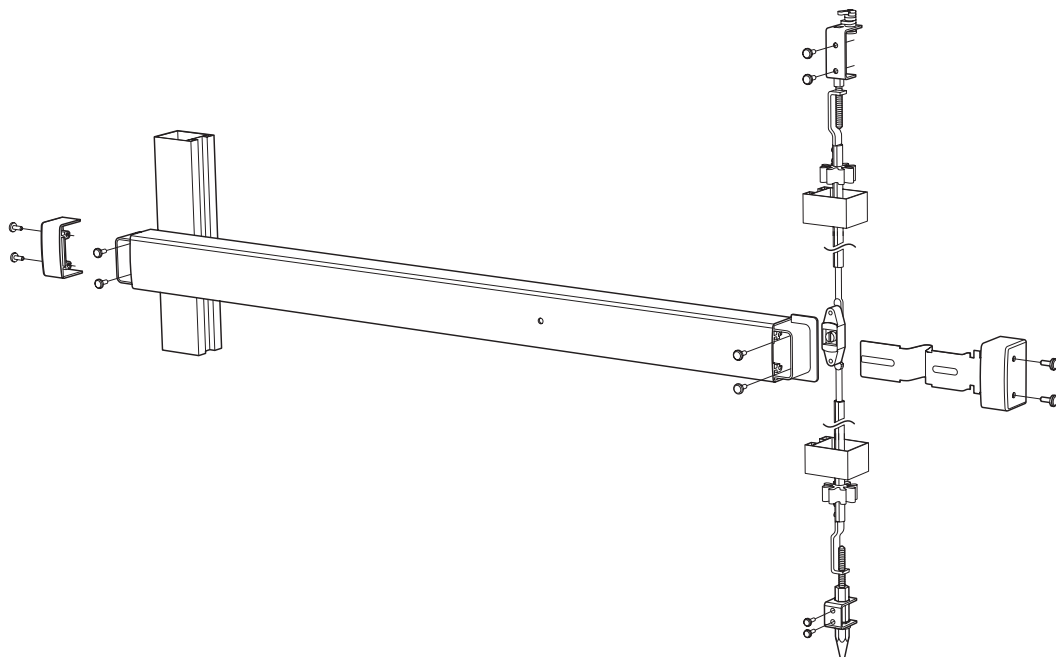
PANIC BARS



PR-7200 Series Full Width Release Panic Bar Exit Device

The Axim PR-7200 is a full width, soft touch non-handed panic exit device with a concealed vertical rod which secures the top and bottom of the door. To open the door, the rods are retracted with a turn of a cylinder key or when the touch bar is locked down with an Allen key (dogged).

- The internal mechanism is manufactured from stainless and plated steel
- 8.5mm diameter steel operating rods provide a 16mm bolt throw
- Optional external key access also available
- The push bar is extruded aluminium in an anodised finish with coloured alloy end caps to match
- All mounting screws are concealed
- Available in 3 standard widths (36", 42" & 48") which can be cut to size
- BS EN 1125 compliant
- 30 months manufacturer's guarantee



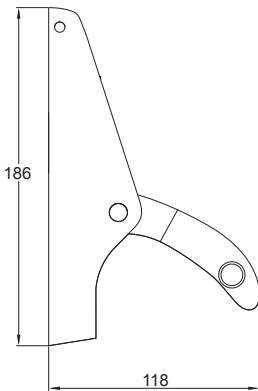
SIZE	SILVER	BOX QTY.
36 inch	APB720036	1
42 inch	APB720042	1
48 inch	APB720048	1

**Axim PR-7085
Concealed Rod
Panic Bar Exit Device**



The Axim PR Series is a range of concealed vertical rod crash bar panic exit devices which are compliant to BS EN 1125 to give even unfamiliar users a quick and straightforward way to escape a building.

- BS EN 1125 compliant
- Cross bar is made from extruded aluminium in a silver satin finish
- All housings and lever arms are finished in an abrasive resistant finish to complement the crossbar anodising
- Heavy duty lever springs deliver durable operation of the lever arms
- Standard model suitable for narrow and wide stile doors up to 2135mm high and 1155mm wide
- All fixings are concealed to ensure streamlined looks
- Projection from the door: 120x186mm
- Permanent latch retention by either cylinder key from the outside or concealed pins under the levers
- Non-handed and left- or right-hand paddle handle option
- 30 months manufacturer's guarantee



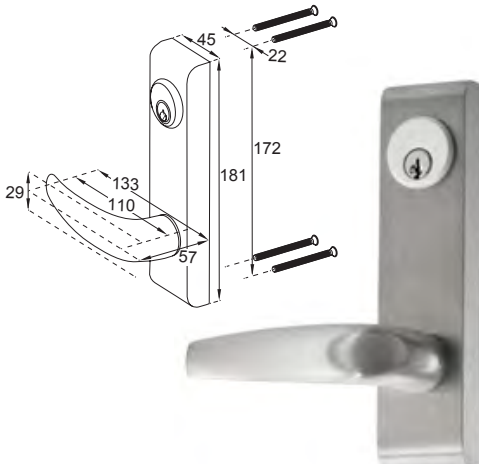
HANDING	SILVER	BOX QTY
Non-handed	APB70851	1
Left Hand	APB70851L	1
Right Hand	APB70851R	1

**LH-725 Outside Access
Locking Handle**



The Axim LH-7 Series lever handles work with the PR-7085 panic bar exit devices to allow key-lockable access from the outside, with options to suit a range of door stile widths.

- Key controlled
- Spindle length 9mm
- Suitable for round cylinders only
- Levers available to suit 46, 49, 54 & 67mm door stile widths
- 181 x 45mm backplate, handle 133mm
- 172 x 22mm screw centers
- 30 months manufacturer's guarantee



DOOR STILE	SILVER	BOX QTY.
46mm	APB730461	1
49mm	APB730491	1
54mm	APB730541	1
67mm	APB730671	1

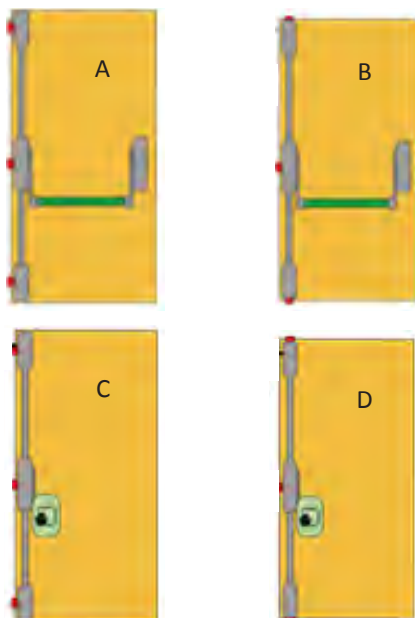


Anti-panic Modular Hardware



- CE approved panic hardware system conforming to EN 1125
- Precision engineered to open with minimum pressure
- Entirely surface mounted to maintain the integrity of door and frame
- Suits doors up to 2700mm high and 1100mm wide
- Available from stock in white or silver
- Full mounting instructions come with every kit
- Outside access available. Note this non key-retaining access handle allows removal of the key once unlocked. Access remains unlocked until the key is used to re-lock the outside access handle.

NB. To ensure compliance with current fire and building regulations we recommend consultation with local fire officers and building control inspectors prior to finalising specifications. All panic bars now sold in Europe must conform to the latest CE Regulations. Each panic bar kit comes complete with certificate of approval.



	DESCRIPTION	WHITE	SILVER	BLACK	BOX QTY.
A	3 Point Panic Bolt Set (Passive) Includes: push bar, 2 x pullman rod covers, 2 x rods, 2 x side or vertical pullman, 2 x pullman covers, accessory pack inc screws, idler, and 1 centre mechanism.	PAN3570325	PAN3570320	PAN35703201	1
B	3 Point Panic Latch Set Includes: push bar, 2 x pullman rod covers, 2 x rods, 2 x side or vertical pullman, 2 x pullman covers, accessory pack inc screws, idler, and 1 centre mechanism.	PAN3550325	PAN3550320	PAN355030	1
C	3 Point Push Pad Reversible (Master Leaf) Includes: push pad, 2 x pullman rod covers, 2 x rods, 2 x side or vertical pullman, 2 x pullman covers, accessory pack inc screws, idler, and 1 centre mechanism.	PAN3580325	PAN3580320	-	1
D	3 Point Push Pad Reversible (Passive Leaf) Includes: push pad, 2 x pullman rod covers, 2 x rods, 2 x side or vertical pullman, 2 x pullman covers, accessory pack inc screws, idler, and 1 centre mechanism.	PAN3560325	PAN3560320	-	1
E	Outside Access Kit Includes: lever handle, cylinder, 3 keys, fixing screws, assembly instructions and drilling templates	PAN3610125	PAN3610120	PAN3610101	1

NB. Frame keeps are profile related and are supplied separately. For further information, please contact our sales team.



Yale Panic Bars



- A concealed panic bar kit comprising of panic bar and multi-point lock
- Panic bar comes with black covers and a green cross bar
- Door bolt supplied as standard is part number PAD17200SS (single door kit only scan the code for details)
- Panic bar system will work using standard keeps and packers compatible with Lockmaster door bolts
- Concealed panic bars give better compression and higher security than the standard face fixed panic bars
- Outside access kit for the Yale concealed panic bar allows entry via a key once fitted
- Outside access is key-retaining - once unlocked, the key can't be removed until the door is locked
- 10 year guarantee



DESCRIPTION	BACK & GREEN	BLACK	BOX QTY.
Panic Bar Kit for Composite/Alu Doors- (Non-handed) Includes: main mechanism with cover, idler mechanism with cover, cross arm, door Lock, 3 piece keep set (non-handed), and an accessory pack	YPB10003	-	1
Outside Access Kit Includes: lever handle, cylinder, 3 keys, fixing screws, assembly instructions and drilling templates	-	YPB10004	1

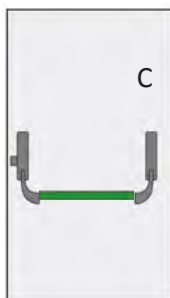
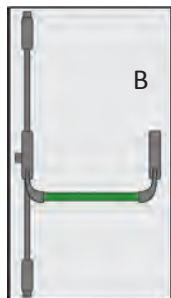
NB. These panic bar systems will work using packers that suit the Lockmaster door bolts. For further information, please contact our sales team.



Omec Emergency Exit Hardware

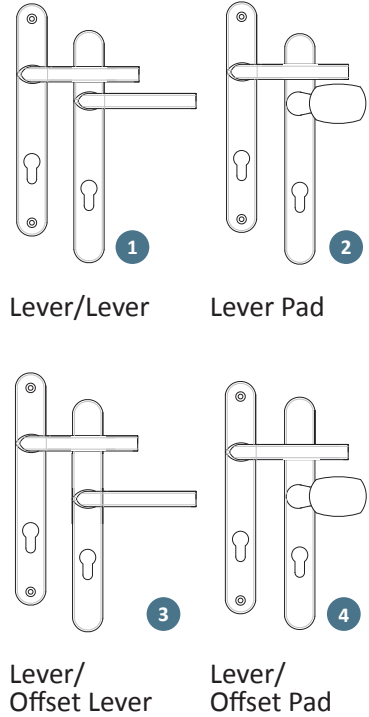


- Fabricator-friendly surface mounted design
- Aluminium covers clip over the operating rods to give clean lines & vandalism protection
- Push bar latch mechanism tested to over a million cycles
- Designed and tested according to EN 1125:2008
- Suitable for doors up to 1200mm wide by 2500mm high
- Standard finish: powder coated black with RAL6024 green push bar
- Kit includes strikers to suit most PVCu timber & aluminium doors
- Optional push pad
- Also available external lever handle (fits doors 40-85mm thick)
- Not suitable for doors narrower than 800mm
- Not to be used on fire doors
- To make a double door setup you would use 1 x OPB10025 & 1 x OPB10035



DESCRIPTION	FINISH	CODE	BOX QTY.
A 3 Point Panic Latch Set (3 Horizontal Latches) Includes: center latch and striker, green push bar, side latches, side strikers, nylon plugs, fixing screws, assembly instructions and drilling templates	Black with green cross bar	OPB10025	1
B 3 Point Panic Bolt Set (2 Vertical, 1 Horizontal Latches) Includes: center latch and striker, green push bar, top and bottom bolts, side striker, floor striker, nylon plugs, fixing screws, assembly instructions and drilling templates	Black with green cross bar	OPB10035	1
C Central Latch and Striker Only (1 Horizontal Latch) Includes: side striker, nylon plugs, fixing screws, assembly instructions and drilling templates	Black	OPB62130	1
D Push Pad Reverseable Oval Includes: photoluminescent insert (sticky back), nylon plugs, fixing screws, assembly instructions	Black with photoluminescent insert	OPB60000	1
E Omec Outside Access Kit Includes: 3 keys, fixing screws, assembly instructions and drilling templates	Black	OPB20005	1
Oval Push Bar - 1200mm	Green	OPB31200	1
Floor Striker	Black	OPB90011	1
Side Strike - Standard Lip	Black	OPB90051	1
Side Strike - Medium Lip	Black	OPB90052	1
Side Strike - Long Lip	Black	OPB90053	1
Wedge Striker for Aluminium Profiles	Black	OPB90054	1

TYPE	SYMBOL
Guarantee	
SBD	
PAS 24	
TS 007 is a standard developed in response to concerns over cylinder attacks. The standard is characterised by a 3 star rating system and can be achieved by combining a 1 star cylinder with 2 star security door furniture or by using a standalone 3 star cylinder.	



...The Strength of Hardware Design

DIAGRAM NO. ABOVE	HANDLE TYPE					SPRUNG	MEASUREMENTS (mm)				SECURITY		GUARANTEES			BRAND	PAGE
	INTERNAL LEVER	INTERNAL LEVER	EXTERNAL PAD	EXTERNAL OFFSET LEVER	EXTERNAL OFFSET PAD		PZ LEVER TO CYLINDER	BACKPLATE LENGTH	BACKPLATE WIDTH	SCREW TO SCREW	PAS 24	TS 007	STAINLESS STEEL	CORROSION (YEARS)	MECHANICAL (YEARS)		
1	•	•				•	92	212	35	122					10	Trojan	86
1	•	•				•	92	243	30	210					10	Trojan	87
1	•	•				•	92	212	35	122			•	25	10	Trojan	88
1	•	•				•	92	243	30	210			•	25	10	Trojan	89
1	•	•				•	92	212	35	122	•	2 Star	•	25	10	Trojan	90
1	•	•				•	92	243	30	210	•	2 Star	•	25	10	Trojan	91
2	•		•			•	92	212	35	122					10	Trojan	86
2	•		•			•	92	243	30	210	•	2 Star	•	25	10	Trojan	91
3	•			•		•	92/62	243	30	210	•	2 Star	•	25	10	Trojan	91
4	•				•	•	92/62	243	30	210					10	Trojan	87
4	•				•	•	92/62	243	30	210	•	2 Star	•	25	10	Trojan	91

TROJAN DOOR HANDLES

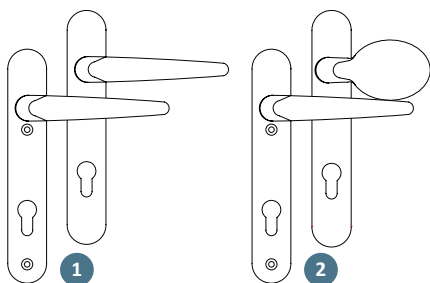
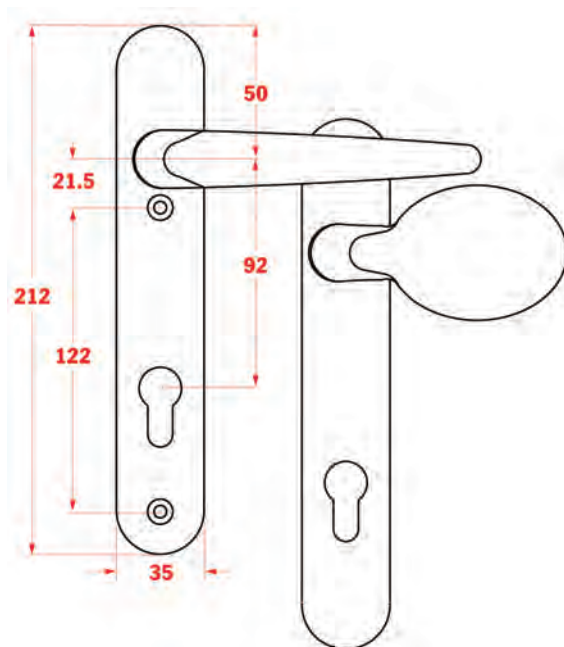


...The Strength of Hardware Design

Sparta 212mm Sprung Door Handles



- Designed to suite with Sparta espag handles (page 27), tilt/turn handles, hinges and letterplates (page 101)
- Backplate is 212 x 35mm internal & external
- Screw to screw measurement: 122mm
- Centre measurement: 92mm
- Maximum door thickness: 70mm
- Also available in stainless steel variants (page 88)



TYPE		WHITE	BLACK	PVD GOLD	CHROME	SATIN SILVER	BOX QTY.
LEVER/LEVER	1	HDL90011	HDL95011	HDL98011	HDL92011	HDL91011	10
LEVER/PAD	2	HDL90012	HDL95012	HDL98012	HDL92012	HDL91012	10



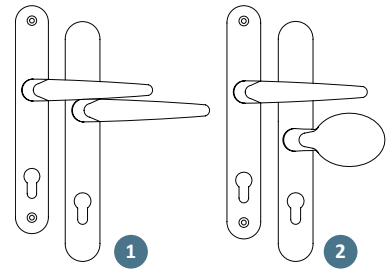
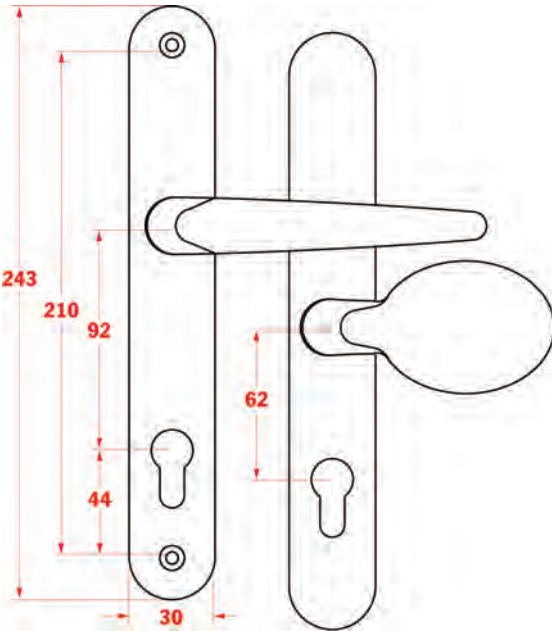
**Sparta 240mm
Sprung Door Handles**



...The Strength of Hardware Design



- Designed to suite with Sparta espag handles (page 27), tilt/turn handles, hinges and letterplates (page 101)
- Backplate is 243 x 35mm internal & external
- Screw to screw measurement: 211mm
- Centre measurement: 92mm or 92/62mm PZ
- Maximum door thickness: 70mm
- Also available in stainless steel variants (page 89)



TYPE		WHITE	BLACK	PVD GOLD	CHROME	SATIN SILVER	BOX QTY.
LEVER/LEVER	1	HDL90511	HDL95511	HDL98511	HDL92511	HDL91511	10
LEVER/OFFSET PAD	2	HDL90532	HDL95532	HDL98532	HDL92532	HDL91512	10

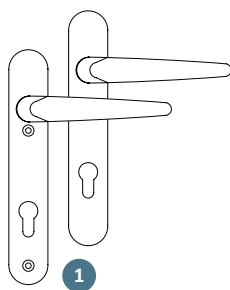
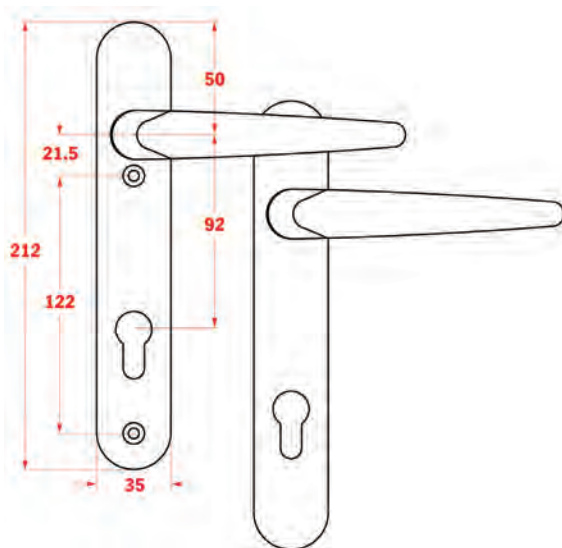
TROJAN DOOR HANDLES



...The Strength of Hardware Design

Sparta 212mm Sprung Door Handles Stainless Steel Version

- Designed to suite with Sparta espag handles (page 27), tilt/turn handles, hinges and letterplates (page 101)
- Backplate is 212 x 35mm internal & external
- Screw to screw measurement: 122mm
- Centre measurement: 92mm PZ
- Maximum door thickness: 70mm
- Available in stainless steel combi (external stainless steel, internal standard)
- Stainless steel versions are manufactured in 304 stainless steel and come with an impressive 20+ year corrosion guarantee for the ultimate corrosion resistance
- Stainless steel versions cycle tested to 50,000 cycles
- PAS 24 compliant



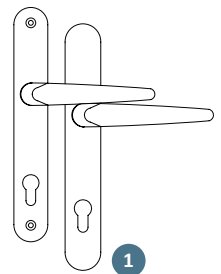
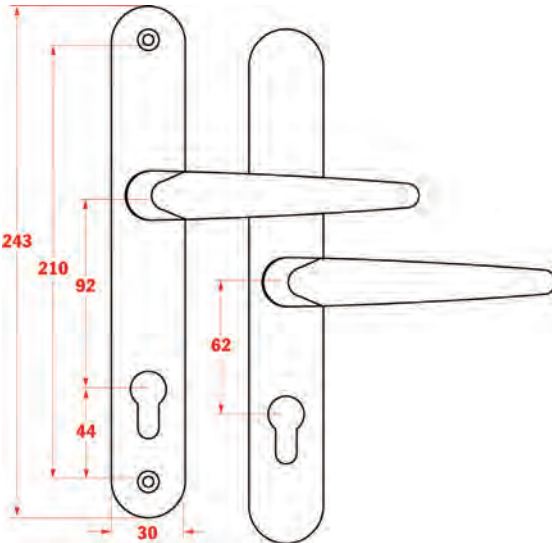
TYPE	PVD GOLD	BRUSHED GOLD	CHROME	BRUSHED STAINLESS	BOX QTY.
LEVER/LEVER 1	HDL98011C	-	HDL92011C	-	10



**Sparta 240mm
Sprung Door Handles
Stainless Steel Version**



- Designed to suite with Sparta espag handles (page 27), tilt/turn handles, hinges and letterplates (page 101)
- Backplate is 243 x 35mm internal & external
- Screw to screw measurement: 211mm
- Centre measurement: 92 or 92/62mm PZ
- Maximum door thickness: 70mm
- Available in stainless steel combi (external stainless steel, internal standard)
- Stainless steel versions are manufactured in 304 stainless steel and come with an impressive 20+ year corrosion guarantee for the ultimate corrosion resistance
- Stainless steel versions tested to 50,000 cycles
- PAS 24 compliant



TYPE	PVD GOLD	BRUSHED GOLD	CHROME	BRUSHED STAINLESS	BOX QTY.
LEVER/LEVER 1	HDL98531SC	HDL97531SC	-	HDL93531SC	10

TROJAN DOOR HANDLES

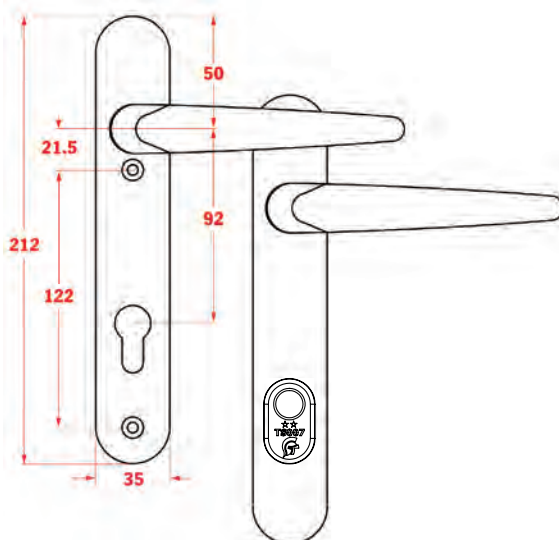
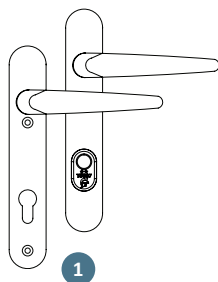


...The Strength of Hardware Design

TS 007 2 Star PAS24 220mm Door Handle Stainless Steel Version

The Trojan TS 007 2 star door handle is a high quality, cost-effective handle which incorporates a patented spring cassette to eliminate 'drooping handle' effect. The handle can be used in conjunction with a 1 star cylinder to still achieve the requirements of Document Q.

- Manufactured from 304 stainless steel
- Tested to 50,000 cycles
- Conforms to BS 1906
- Corrosion tested in excess of 1,000 hours (based on BS EN 1670)
- TS 007 accredited
- Abusive load tested to BS6462
- Maximum door thickness: 70mm



TYPE	WHITE	BLACK	PVD GOLD	CHROME	BOX QTY.
LEVER/LEVER 1	HDL90611CC	HDL95611CC	HDL98611CC	HDL92611CC	10



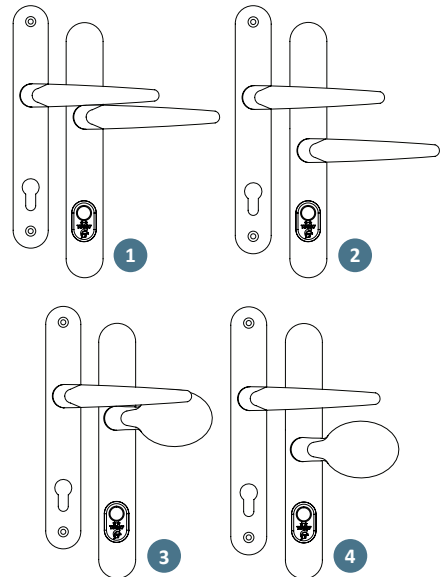
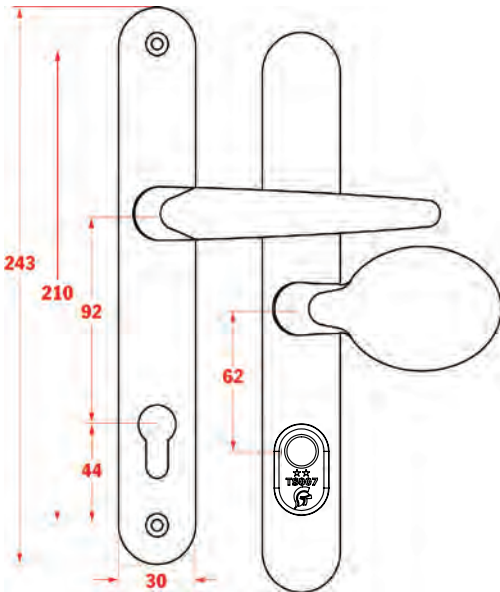
TS 007 2 Star PAS24 240mm Door Handle Stainless Steel Version



...The Strength of Hardware Design

The Trojan TS 007 2 star door handle is a high quality, cost-effective handle that incorporates a patented spring cassette to eliminate 'drooping handle' effect. The handle can be used in conjunction with a 1 star cylinder to still achieve the requirements of Document Q.

- Manufactured from 304 stainless steel
- Tested to 50,000 cycles
- Conforms to BS 1906
- Corrosion tested in excess of 1,000 hours (based on BS EN 1670)
- TS 007 accredited
- Abusive load tested to BS6462
- Maximum door thickness: 70mm



TYPE		WHITE	BLACK	PVD GOLD	CHROME	BOX QTY.
LEVER/LEVER	1	HDL90711CC	HDL95711CC	HDL98711CC	HDL92711CC	10
LEVER/OFFSET LEVER	2	HDL90731CC	HDL95731CC	HDL98731CC	HDL92731CC	10
LEVER/PAD	3	HDL90712CC	HDL95712CC	HDL98712CC	HDL92712CC	10
LEVER/ OFFSET PAD	4	HDL90732CC	HDL95732CC	HDL98732CC	HDL92732CC	10

PROFILE CYLINDERS OVERVIEW

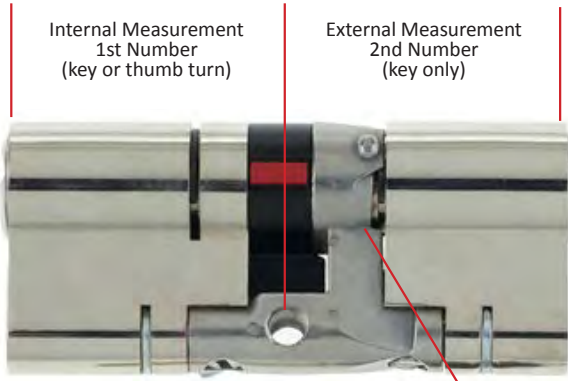
TYPE	SYMBOL YALE EUROSPEC	TYPE	SYMBOL
Anti-bump		Fire Door	
Anti-drill		Guarantee	
Anti-pick		Kitemarked	
Anti-plug		SBD	
Anti-snap		Security Level	
BS EN		TS 007	

TS 007 is a standard developed in response to concerns over cylinder attacks. The standard is characterised by a 3 star rating system and can be achieved by combining a 1 star cylinder with 2 star security door furniture or by using a standalone 3 star cylinder.



SECURITY LEVEL	ANTI-BUMP	ANTI-DRILL	ANTI-PICK	ANTI-PLUG	ANTI-SNAP	BS EN	FIRE DOOR	KITE MARKED STAMPED	SBD	GUARANTEE	BRAND	PAGE
TS 007 1 Star	•	•	•	•	•	1303:2005	30/60	•			Eurospec	97
	•	•	•			1303:2005		•	•	10 Years	Yale	98-99
TS 007 3 Star	•	•	•		•	1303:2005		•		10 Years	Yale	100-101

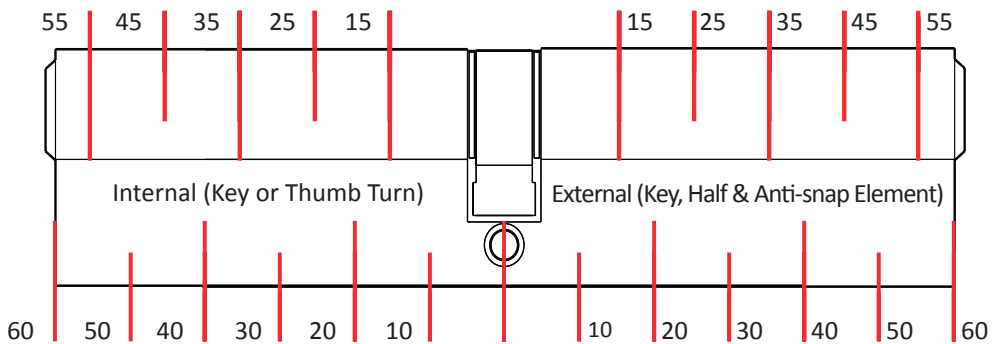
Measuring a Profile Cylinder



Anti-snap element this should only be on the external side

Please Note: Most cylinders can be reversed, but if they include an anti-snap part this should always be on the external side. See the image on the left of the Yale TS007 3 Star Platinum Profile cylinder

The internal measurement is the 1st number, The external measurement is the 2nd number, i.e.. 40/50 = 40 internal / 50 external

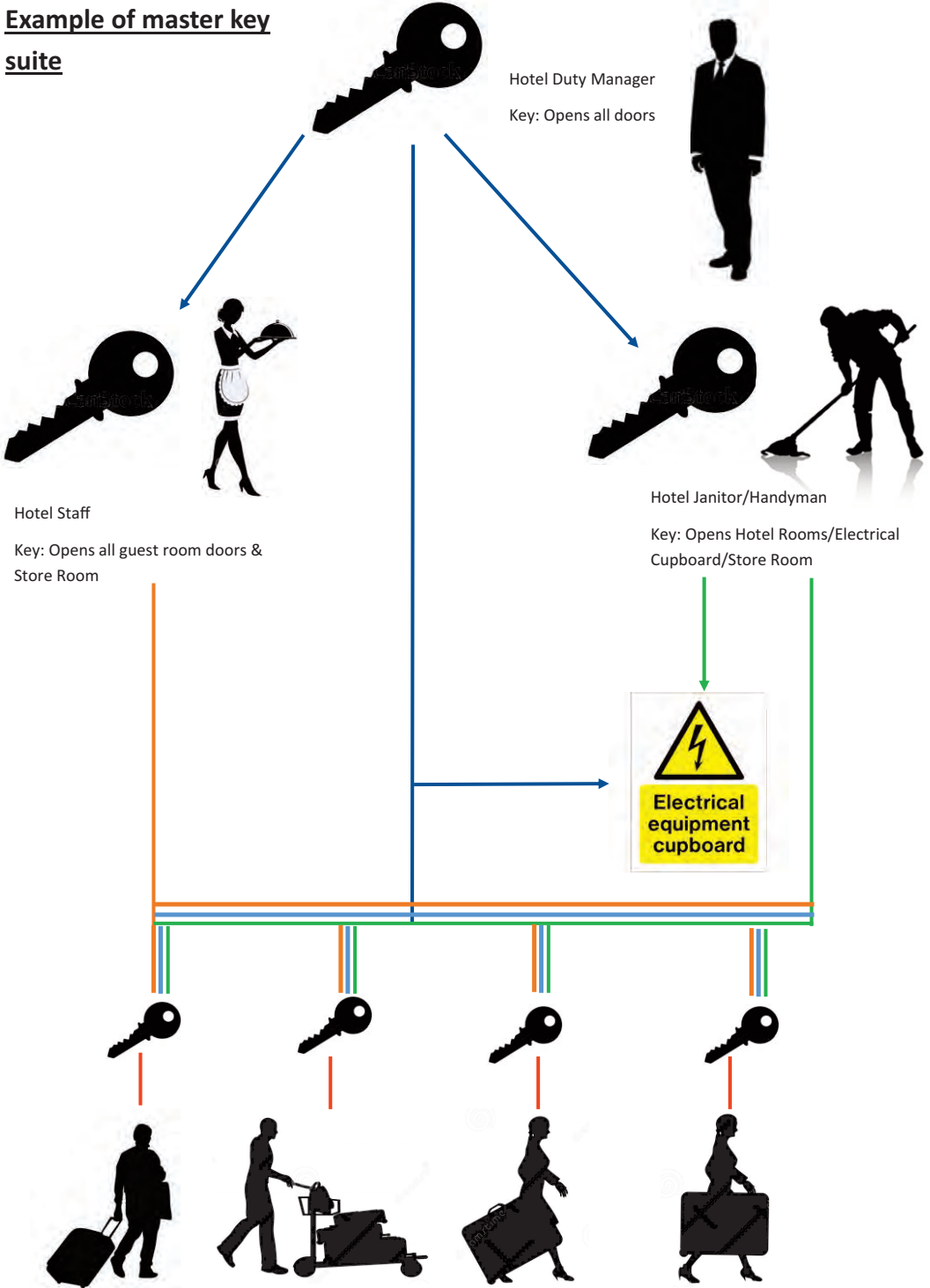


All dimensions are in mm

PROFILE CYLINDER TYPE	PAGE
Key/Key	97-99
Thumb Turn/Key	97-99
Key/Key Keyed-alike	97-99

Looking for keyed-alike or master suited sets? Just call sales and we'll be happy to help!

Example of master key suite



Holiday Maker Key: Opens accommodation room Only



Eurospec MPX6 1 Star Kitemarked Profile Cylinder



- Anti-bump/anti-snap kitemarked cylinder
- TS 007 1 star approved - TS 007:2012
- Supplied with 3 keys
- Available from stock in Key/Key and keyed alike pairs with master suiting available on special order basis
- Snap off (Sacrificial) front section, anti-snap one side on even split cylinders, both sides of unequal sized cylinders
- Non-handed product.
- Suitable for use on fire doors to 60mins
- Tested to BS EN 1303:2005, EN 1634 Part 1:2000
- Anti-drill
- Anti-snap
- Anti-plug Pull
- Anti-pick
- Anti-bump
- For PAS 24 requirements this cylinder must be fitted with a PAS 24 door handle

Additional Information



ANTI-DRILL



ANTI-SNAP



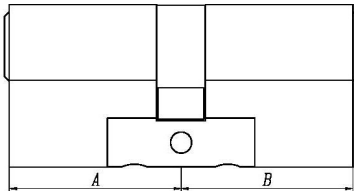
ANTI-PLUG



ANTI-PICK

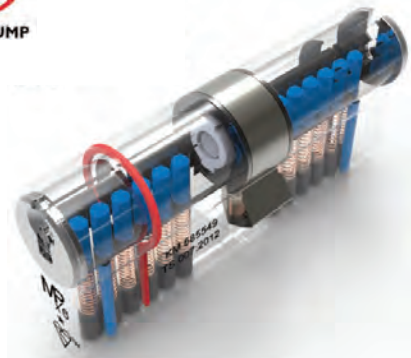


ANTI-BUMP



CHROME

BRASS



SIZE mm	CHROME	BRASS	BOX QTY.
6 Pin Anti-bump/Anti-snap Key/Key Profile Cylinders			
35/35	CYL435351	CYL435353	10
40/40	CYL440401	CYL440403	10
40/50	CYL440501	CYL440503	10
40/60	CYL440601	CYL440603	10
45/45	CYL445451	CYL445453	10
45/50	CYL445501	CYL445503	10
45/55	CYL445551	CYL445553	10
50/50	CYL450501	CYL450503	10

SIZE mm	CHROME	BRASS	BOX QTY.
6 Pin Anti-bump/Anti-snap Key/Thumb Turn Profile Cylinders			
35/35	CYL435352	CYL435354	10
40/60	CYL440602	CYL440604	10
50/50	CYL450502	CYL450504	10
6 Pin Anti-bump/Anti-snap Key/Key Keyed-alike Profile Cylinders			
35/35	CYP435351	CYP435353	5 pairs
45/50	CYP445501	CYP445503	5 pairs
45/55	CYP445551	CYP445553	5 pairs
50/50	CYP450501	CYP450503	5 pairs

TS 007 1 STAR PROFILE CYLINDERS



Yale KM Superior 1 Star Kitemarked Key/Key Profile Cylinder



The Yale KM Superior Euro Profile cylinder has been developed to provide resistance against common cylinder attack methods. The KM Superior offers British Kitemarked TS 007:2014 1 star security and has been tested to the British Standard BS EN 1303:2005. Suitable as a replacement product on PVCu, wood and composite doors this cylinder is Secured by Design approved and recommended for use on doors that require a high level of security and attack protection.

- Replacement 6 pin Euro Profile Cylinder
- Available in Euro Single and Euro Turn
- BSI Kitemark Approved - KM 532920
- TS 007 1 Star Cylinder
- Secured by Design approved
- High security level
- 10 year guarantee



Additional Information



Anti-drill



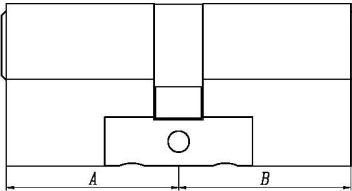
Anti-pick



Anti-bump



Security Level



CHROME

BRASS

SIZE mm	CHROME	BRASS	BOX QTY.
TS 007 1★ Key/Key Profile Cylinders			
35/35	CYL335351	CYL335353	10
35/45	CYL335451	-	10
40/40	CYL340401	-	10
45/50	CYL345501	CYL345503	10
45/55	CYL345551	CYL345553	10
50/50	CYL350501	CYL350503	10

SIZE mm	CHROME	BRASS	BOX QTY.
TS 007 1★ Key/Key Keyed-alike Profile Cylinders			
35/35	CYP335351	-	5 pairs
35/45	CYP335451	-	5 pairs
40/40	CYP340401	-	5 pairs
45/50	CYP345501	-	5 pairs
50/50	CYP350501	-	5 pairs



Yale KM Superior 1 Star Kitemarked Thumb Turn Profile Cylinder

The Yale KM Superior Euro Profile cylinder has been developed to provide resistance against common cylinder attack methods. The KM Superior offers British Kitemarked TS 007:2014 1 star security and has been tested to the British Standard BS EN 1303:2005. Suitable as a replacement product on PVCu, wood and composite doors this cylinder is Secured by Design approved and recommended for use on doors that require a high level of security and attack protection.

- Replacement 6 pin Euro Profile Cylinder
- Available in Euro Single and Euro Turn
- BSI Kitemark Approved - KM 532920
- TS 007 1 Star Cylinder
- Secured by Design approved
- High security level
- 10 year guarantee



Additional Information



Anti-drill



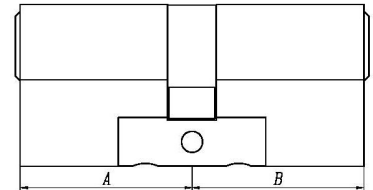
Anti-pick



Anti-bump



Security Level



CHROME

BRASS

SIZE mm	CHROME	BRASS	BOX QTY.
TS 007 1★ Key/Thumb Turn Profile Cylinders			
35/35	CYL335352	CYL335354	10
40/40	CYL340402	-	10
45/45	CYL345452	-	10
45/50	CYL345502	CYL345504	10
50/45	CYL350452	CYL350454	10
50/50	CYL350502	CYL350504	10

TS 007 3 STAR PROFILE CYLINDERS



Yale TS 007 3 Star Platinum Kitemarked Profile Cylinder



The Yale Platinum 3 star euro profile cylinder has been independently tested by The British Standards Institution and awarded the BSI Kitemark TS 007:2014 3 star accreditation. That makes this cylinder the perfect choice for professionals in need of a proven, high-security solution capable of providing maximum defence against common methods of cylinder attack.

- Anti-snap, sacrificial front section
- Anti-pick, anti-bump, anti-screw, anti-pull and anti-drill
- Superior strength with cylinder stability system for superior protection
- Horizontal keyway
- Flat reversible dimple key with new stylish nylon key bow
- Key card for easy code identification and key duplication
- Available in standard key/key, thumb turn and keyed-alike in pairs. Brass and Nickel finishes
- TS 007 2014 3 star approved
- BS EN 1303:2005 approved
- KM 559658



Anti-Snap
A small section of the cylinder is sacrificed under attack, leaving the remainder of the cylinder intact and your door safely locked.

Anti-Bump
Specialised side pins provide bump resistance.

Anti-Pick
Unique multi shear-line technology designed to resist lock picking and bumping.

Horizontal Keyway
With reversible flat key for easy key entry.

Inner Strength
The dedicated central bridge delivers unparalleled inner strength to the cylinder providing protection even if the cylinder is attacked from the outside.

Anti-Drill
Hardened steel protection incorporated within the cylinder provides undeniable resistance against drill attacks.

Certified
Approved to TS 007:2014 3 star - the highest current certified level.
BSI accredited to KM 559658
Tested to BS EN 1303:2005



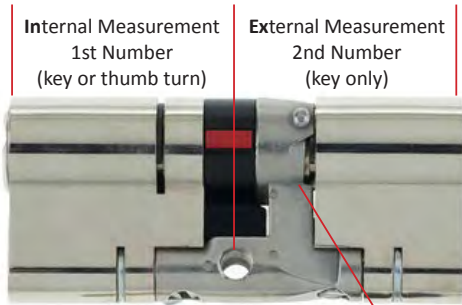
Yale TS 007 3 Star Platinum Kitemarked Profile Cylinder

Additional Information



Security Level

Please Note: In the 'SIZE mm' column
1st number = internal measurement
2nd number = external measurement
e.g.: 40/50 = 40 internal / 50 external



Anti-snap element this should only be on the external side



SIZE mm	CHROME	BRASS	BOX QTY.
TS007 3★ Profile Cylinders			
35/35	CYL935351	CYL935353	20
35/45	CYL935451	CYL935453	20
35/55	CYL935551	CYL935553	20
40/40	CYL940401	CYL940403	20
40/45	CYL940451	CYL940453	20
40/50	CYL940501	CYL940503	20
40/55	CYL940551	CYL940553	20
45/35	CYL945351	CYL945353	20
45/40	CYL945401	CYL945403	20
45/45	CYL945451	CYL945453	20
45/50	CYL945501	CYL945503	20
45/55	CYL945551	CYL945553	20
50/40	CYL950401	CYL950403	20
50/45	CYL950451	CYL950453	20
50/50	CYL950501	CYL950503	20
55/40	CYL955401	CYL955403	20
55/45	CYL955451	CYL955453	20
60/40	CYL960401	CYL960403	20
TS007 3★ Thumb Turn Profile Cylinders			
35/35	CYL935352	CYL935354	20
40/40	CYL940402	CYL940404	20
40/50	CYL940502	CYL940504	20
45/45	CYL945452	CYL945454	20
45/50	CYL945502	CYL945504	20
45/55	CYL945552	CYL945554	20
50/40	CYL950402	CYL950404	20
50/45	CYL950452	CYL950454	20
50/50	CYL950502	CYL950504	20
55/45	CYL955452	CYL955454	20
TS007 3★ Key/Key Keyed-alike Profile Cylinders			
35/35	CYP935351	CYP935353	10 pairs
40/40	CYP940401	CYP940403	10 pairs
40/50	CYP940501	CYP940503	10 pairs
40/55	CYP940551	-	10 pairs
45/45	CYP945451	CYP945453	10 pairs
45/50	CYP945501	CYP945503	10 pairs
50/40	CYP950401	CYP950403	10 pairs
50/45	CYP950451	CYP950453	10 pairs
50/50	CYP950501	CYP950503	10 pairs
55/40	CYP955401	CYP955403	10 pairs
55/45	CYP955451	CYP955453	10 pairs



TS 007:2014

TS 007 is a standard developed in response to concerns over cylinder attacks. The standard is characterised by a 3 star rating system and can be achieved by combining a 1 star cylinder with 2 star security door furniture or by using a standalone 3 star cylinder. The Platinum series cylinder is approved to TS 007 3 stars and does not require any additional security furniture.

Maintenance and care of your Yale cylinder

Yale recommend regular lubrication of your Yale cylinder locks to ensure continuous trouble-free performance and operation.

For this we recommend using a PTFE-based lubricant. A small amount of lubricant should be applied to the key and then inserted into the cylinder. Rotate the key a couple of times in line with the normal locking function. Remove the key from the cylinder and wipe away any remaining lubricant to ensure it isn't transferred onto other objects.

LETTERPLATE OVERVIEW



...The Strength of Hardware Design



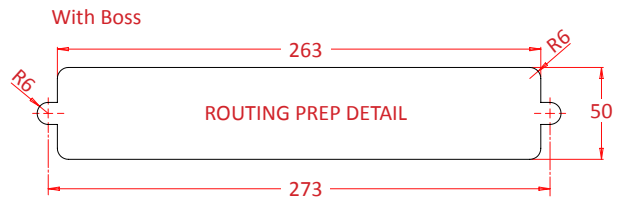
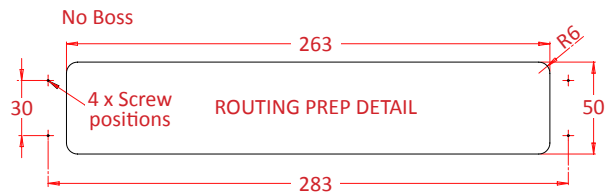
FITTING POSITION		TELESCOPIC SLEEVES	FLAP ANGLE	SIZES			SECURITY			GUARANTEE			BRAND	NAME	PAGE
PANEL	MIDRAIL			APERTURE	INTERNAL	EXTERNAL	PAS 24	DOC Q	TS 008	STAINLESS STEEL	CORROSION	MECHANICAL			
•		20-40mm	180°	263 x 50mm	300 x 70mm	300 x 70mm				•	25 Years	10 Years	Trojan	Unicorn 12"	103
	•	40-80mm	180°	263 x 50mm	300 x 70mm	300 x 70mm				•	25 Years	10 Years	Trojan	Unicorn 12"	103
	•	40-75mm		246 x 49.4mm	300.5 x 98.4 x 52mm	300.5 x 96mm	•	•	•	•	25 Years	10 Years	Yale	Post-master	104-105

TYPE	SYMBOLS	TYPE	SYMBOLS
PAS 24		BS Kite Mark	
Guarantees		Doc Q	
TS 008	TS 008 is a rating for the letter plate, or flap, covering the door aperture for receipt of postal items, together with a letter box on the inside of doors, walls or panels. This is a security requirement of PAS24 & document Q which deals with fishing through a letterplate.		

Trojan Unicorn 12" Range Letterplate



- A unique and elegant design
- Letter flaps and torsion springs are made from stainless steel for ultimate corrosion resistance
- Flaps open to 180 degrees, eliminating any excess leverage on pivot points
- External flap has a complete peripheral seal that also forms a full thermal and acoustic barrier
- Cycle tested to 100,000 operations
- Available in a choice of finishes with or without colour coded end caps
- Detachable lugs enabling face fix on panel
- Telescopic sleeves for panel fitting 20 - 40mm and midrail fitting 40 - 80mm which suits doors up to 70mm thick
- Overall letterplate size 300 x 70mm



FINISH		FITTING POSITION		BOX QTY.
FLAP	END CAP	PANEL	MIDRAIL	
BLACK	BLACK	LBX81015	LBX80005	10
SATIN SILVER	BLACK	-	LBX80001	10
PVD CHROME	BLACK	-	LBX80002	10
PVD GOLD	BLACK	-	LBX80009	10
WHITE	BLACK	-	LBX80000	10
PVD CHROME	PVD CHROME	LBX81012	LBX81002	10
BRUSHED STEEL	BRUSHED STEEL	LBX81013	LBX81003	10
PVD GOLD	PVD GOLD	LBX81019	LBX81009	10
WHITE	WHITE	LBX81010	LBX81000	10



Yale Postmaster Professional TS 008 Letterplate

The patented Postmaster Professional TS 008 Letterplate is designed to meet the exacting requirements of TS 008. It's suitable for doorsets that need to be Document Q or PAS 24: 2016 compliant. Manufactured from 304 Stainless Steel for ultimate corrosion resistance, its simple but elegant styling will complement any doorface.

- TS 008 accredited
- Conforms to PAS 24: 2016 and approved Document Q
- Suitable for both composite doors and PVCu doors (range from 40mm to 75mm thickness)
- Inner protective housing has unique concealed hinge mechanism to prevent attack
- Inner flap has a positive stop feature for maximum protection from 'fishing'
- Will fit any door to meet TS 008 accreditation without the need to retest
- Available in white, PVD gold, chrome and satin stainless steel external finishes from stock. Other finishes available to order including brushed stainless steel and black.
- The internal letterplate can be colour coded to match the door colour
- Guarantee 25 years anti-corrosion available on all Stainless Steel product finishes
- Guarantee 10 years mechanical
- Overall letterplate size:

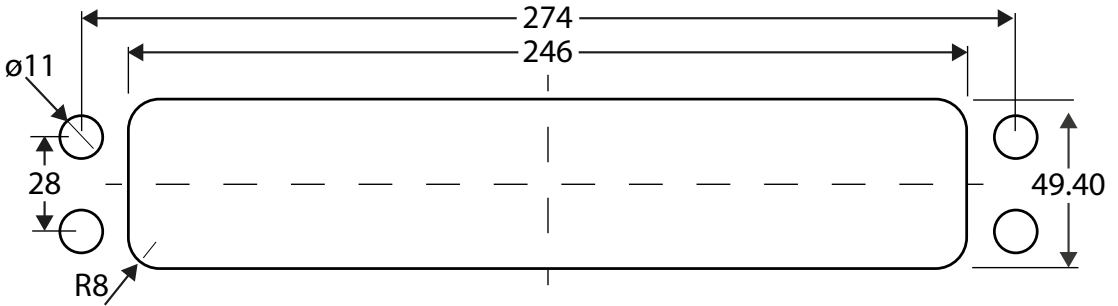
External: 300.5 x 96mm

Internal: 300.5 x 98.4 x 52mm





Yale Postmaster
Professional TS 008
Letterplate



Product materials:

- External flap is manufactured from 304 stainless steel for ultimate corrosion resistance (galvanised mild steel for painted finishes)
- Internal flap manufactured from die-cast zinc

Testing:

- Corrosion tested to BS EN 1670 Grade 5
- Cycle test – opening and closing action tested to 20,000 cycles
- PAS 24: 2016 compliant and approved Document Q
- TS 008:2015 compliance

Adjustments:

- For composite doors 0793-2001 (4 Screws m4 x 30mm csk pozi zn)
- For PVCu doors 0793-2002 (4 Screws m4 x 60mm csk pozi zn)

FLAP FINISH						
OUTER	WHITE	SATIN STAINLESS STEEL	CHROME	BRUSHED STAINLESS STEEL	PVD GOLD	BLACK
FLAP FINISH						
INNER	WHITE	WHITE	WHITE	WHITE	WHITE	BLACK
PART CODE	LBX82000	LBX82001	LBX82002	LBX82003	LBX82009	LBX82015
BOX QTY.	10	10	10	10	10	10

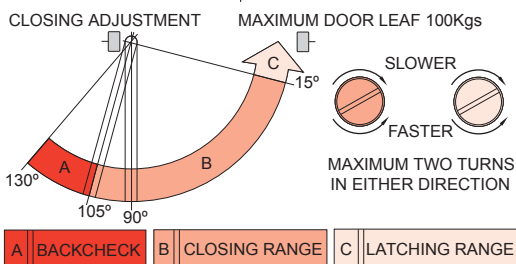
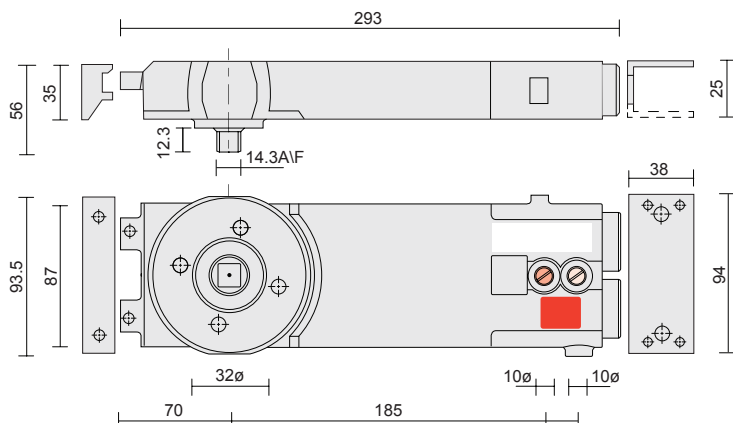
DOOR CLOSERS



Axim TC-8800 Size 2 Concealed Overhead Transom Closer

The Axim TC-8800 universal concealed closer is a hidden commercial closing solution held integrally in the door leaf and transom. This means that the door requires no external hardware to create an uncluttered and secure solution. Choose from a variety of door control options to achieve the desired level of functionality such as no-hold opening for low-traffic areas or 90° hold-open for high traffic installations. The TC range is fully adjustable vertically and laterally so it's easy to ensure smooth operation and perfect closing.

- Includes body unit and fixings – 70mm bracket size 2
- Suitable for single and double action doors
- 10mm and 15mm extended spindle models
- 2 valves for closing and latching speed adjustment
- Pre-set cushion back-check
- No hold-open or mechanical hold-open at 90° in stock (hold-open 105° available by special order)
- Suitable for door widths 751mm to 950mm
- Maximum door leaf weight 100Kg
- Standard & Anti finger trap package options are available
- Dummy unit available
- Conforms to EN 1154
- 30-month manufacturers guarantee



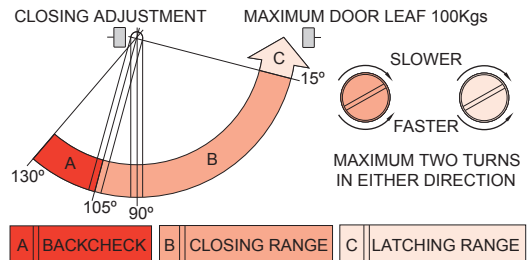
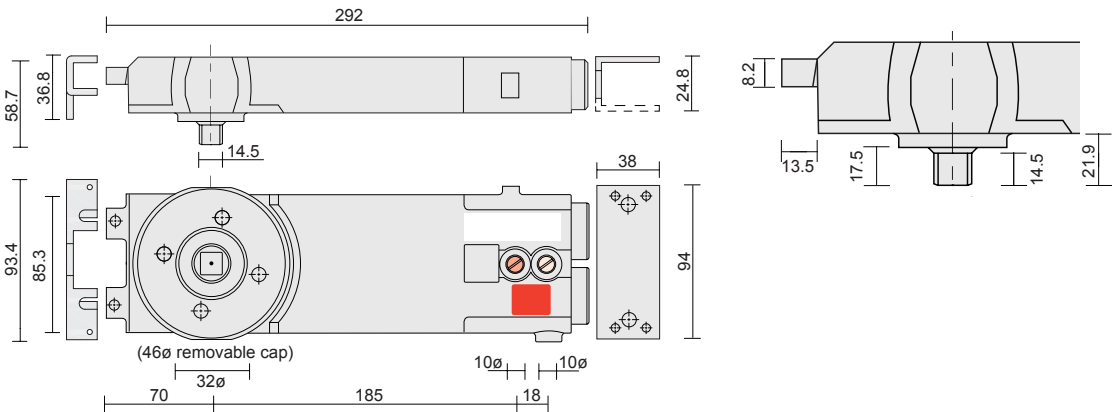
SIZE	HOLD-OPEN	NO HOLD-OPEN	SPINDLE EXTENSION	PART CODE	BOX QTY
2		•	-	ATC880200	1
2	•		-	ATC880290	1
2		•	10mm	ATC8802010	1
2	•		10mm	ATC8802910	1
2		•	15mm	ATC8802015	1
2	•		15mm	ATC8802915	1

Axim TC-9600 Series with Extended Spindle Concealed Overhead Transom Closer



The Axim TC-9600 concealed door closer offers all the functionality of the TC-8800 closer but with a longer spindle suitable for patch fittings and door rails. This sleek and reliable hidden closing system works for double or single door configurations to deliver controlled closing and hold-open functionality if required

- Includes body unit and fixings – 70mm bracket size 2
- Suitable for single and double action doors
- Extended spindle compared to TC-8800
- 2 valves for closing and latching speed adjustment
- Pre-set cushion back-check
- No hold-open or mechanical hold-open at 90°
- Size 2 closer suitable for door widths 751mm to 950mm
- Maximum door leaf weight 100Kg
- Standard & Anti finger trap package options are available
- Dummy unit available
- Conforms to EN 1154
- 30-month manufacturer’s guarantee



SIZE	NO HOLD-OPEN	HOLD-OPEN	PART CODE	BOX QTY
2	•		ATC960200	1
2		•	ATC960290	1

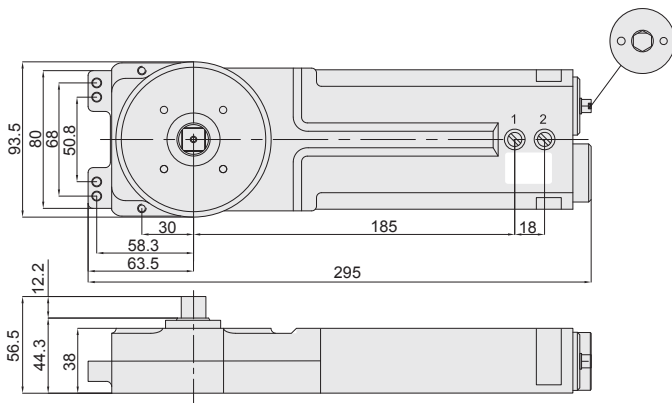
DOOR CLOSERS



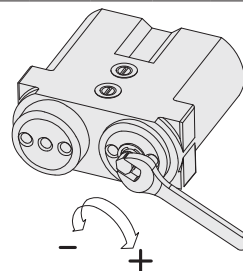
Axim TC-9900-ADJ Series Universal Concealed Overhead Transom Closer

The TC-9900 universal concealed door closer offers a sleek and smooth-operating closing solution for both new commercial door installations and replacement applications where other leading transom closers have failed. Quick and easy to fit, it will confidently replace the Axim TC-8800 series closer, as well as other leading brands such as Dorma, Peters Jackson, Newman, Tonks, Ryobi - all without costly modifications to the door or door frame.

- Includes body unit and universal fixings – 70mm bracket
- Suitable for single and double action doors
- 2 valves for closing and latching speed adjustment
- Pre-set cushion back-check
- No hold-open or mechanical hold-open at 90°
- Suitable for closer sizes 1-4 and door widths 750-1150mm
- Maximum door leaf weight 100Kg
- Standard & Anti finger trap package options are available
- Dummy body unit available
- Conforms to EN 1154
- 30-month manufacturer's guarantee

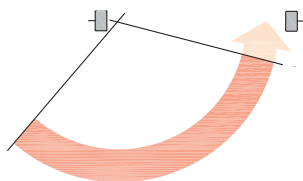


CLOSER SIZE	CLOSER SIZE			
	1	2	3	4
NUMBER OF TURNS	+0	+2~+4	+5~+7	+8

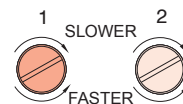


NOTE: Use 8mm open ended spanner supplied by others

CLOSING ADJUSTMENT



Independent valve screws permit closing speed adjustment from fully open to 15° and 15° to closed.



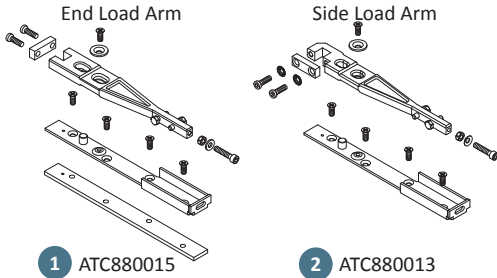
MAXIMUM TWO TURNS IN EITHER DIRECTION

SIZE	NO HOLD-OPEN	HOLD-OPEN	PART CODE	BOX QTY
ADJUSTABLE	•		ATC990000	1
ADJUSTABLE		•	ATC990090	1

Axim Side Load and End Load Arms for Transom Closers



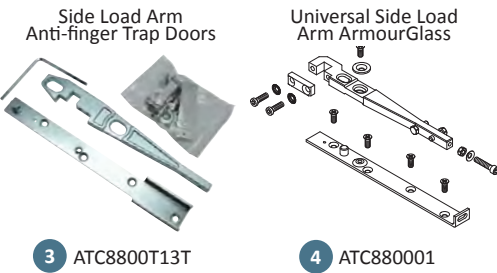
These arms are an essential component of the concealed transom door closer system. Available as either side loading (suitable for use on anti-finger trap doors, armour glass doors and those with a round door stile or narrow door rail) or end loading (for use with anti finger trap doors). These products are fully adjustable, come with hexagonal spanner and feature handy hole and centre lines in channel for easy location of pivot point.



End load- The door is fitted in the open position therefore the cut-out for the transom spindle is at the end of the arm – hence end load



Side load- The door is fitted in the closed position. Therefore the spindle cut-out is at the side of the arm – hence side load.

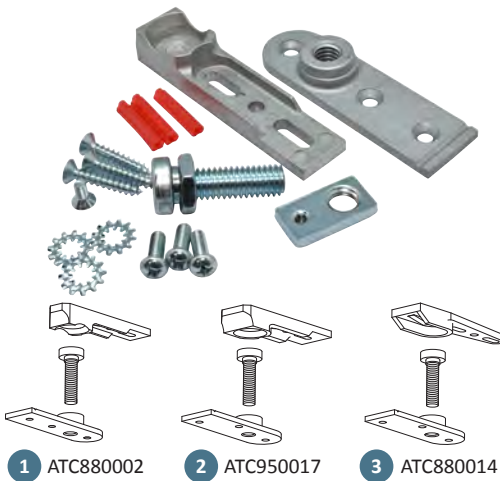


	DESCRIPTION	SIZE	PART CODE	BOX QTY
1	End Load Arm	260 x 36.8 x 21mm	ATC880015	1
2	Side Load Arm	263 x 35 x 16mm	ATC880013T	1
3	Standard Side Load Arm - Anti-finger Trap Doors	260 x 34.2 x 16mm	ATC880013	1
4	Universal Side Load Arm - Armour Glass	260 x 34.2 x 16mm	ATC880001	1

Axim Bottom Pivot Assembly for Transom Closers



This bottom pivot assembly is an essential component of the concealed transom door closer system. It holds and supports the weight of the door and enables it to swing open and closed. Choose between standard side loading, end-loading or heavy duty bottom pivots which are used with anti-finger trap doors



	DESCRIPTION	PART CODE	BOX QTY
1	Standard Bottom Pivot	ATC880002	1
2	Heavy Duty Bottom Pivot	ATC950017	1
3	Heavy Duty Bottom Pivot Anti-finger Trap Doors	ATC880014	1

CABIN HOOKS & DOOR CHAINS

CARLISLE BRASS

Cabin Hooks

- Cabin hooks available in three sizes 6", 8" and 10"



SIZE	BRASS	CHROME	BOX QTY.
6 inch	CHK10069	CHK10111	10
8 inch	CHK10089	CHK10115	10
10 inch	CHK10109	CHK10117	10

CARLISLE BRASS

Carlisle Brass AA75 Heavy Duty Door Chain

- Breaking strain 180 newtons.
- Dimensions: Chain Retainer 60 x 16mm, Chain Length 200mm & Angle Plate 46 x 32 x 38mm.
- Available in chrome plate, polished brass and satin chrome.
- Complete with screws.



BRASS	CHROME	SATIN CHROME	BOX QTY.
DCH79135C	DCH79136C	DCH79155	25



Yale WS16 Door Chain & Bolt

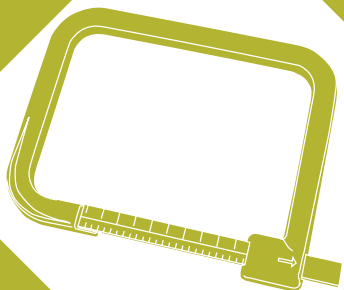
- Integral steel deadbolt for additional security
- Heavy duty chain helps protect against cropping attack
- Safe caller identification
- Angled fixing screws help door restraint against a forced attack
- Successfully tested to DHF TS 003:2012 - Door Chains and Limiters
- Secured By Design approved



BRASS	BOX QTY.
YDC40008A	1

TOOLS, FIXINGS, & CONSUMABLES

Air Tools	112
Air Tool Accessories	112-114
Machinery Consumables	114
Measuring Equipment	114
Glazing Tools	114-115
Glazing Packers	115
Air Wedges	115
Glues	116
Glass Cleaners	116
Screws	117
Fixing Anchors	117
Window Fixings & Cleats	117
Silicones	118-120
Adhesives	121
Sealants	122
Caulk/Mastic Guns	123
Fixing Foam	124-126
Fillers	127





3mm Dentist Drill



- Speed: 22,000rpm
- Av CFM: 4
- Inlet: 1/4" BSP
- Collet size: 3mm

PART CODE	BOX QTY.
ADD10000	1



3/8" Reversible Keyless Chuck Drill Only 82dB



- Speed: 1,800rpm
- Av CFM: 4
- Inlet: 1/4" BSP
- Chuck size: 10mm

PART CODE	BOX QTY.
KAD10000	1



1/4" Reversible Screwdriver Medium Torque Only 82dB

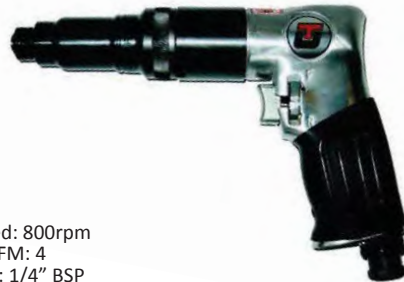


- Speed: 1,800rpm
- Av CFM: 4
- Inlet: 1/4" BSP

PART CODE	BOX QTY.
ARD10000	1



1/4" Reversible Screwdriver - High Torque



- Speed: 800rpm
- Av CFM: 4
- Inlet: 1/4" BSP

PART CODE	BOX QTY.
SDR10000	1



Air Fittings

- A: 3/8" BSP to tail
- B: 1/4" BSP Male adaptor
- C: 1/4" BSP Female adaptor
- D: 3/8" tail to adaptor
- E: 1/4" BSP Female coupling
- F: 1/4" BSP Male coupling (not Euro)
- G: 1/4" BSP Y Piece



Seal the world...
reXon



Highly-rated silicones and adhesives
Big choice of RAL colours.

Available from

**WINDOW
WARE**

We've got it



TCT Saw Blades

- Saw blades for cutting plastic and aluminium
- 5° Negative

SIZES (mm)		CUTTING EDGE	PART CODE
BLADE Ø	SPINDLE Ø		
250	32	Z80	SBT25032080
250	32	Z126	SBT25032126
300	32	Z96	SBT30032096
330	32	Z108	SBT33032108
350	32	Z108	SBT35032108
400	32	Z96	SBT40032096
420	32	Z96	SBT42032096
450	32	Z108	SBT45032108
500	32	Z120	SBT50032120



Glazing Shovel

- Blade width: 68mm
- ABS Plastic
- Ideal for toe and healing when glazing windows

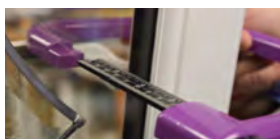


WHITE	YELLOW	RED	BOX QTY.
GLS83000A	GLS830001	GLS830002	50



Glass Gauge

- Used to measure the thickness of sealed glass units without removing them from the window
- Robust frame and ruler
- Manufactured from steel
- Comes in a hard plastic carry case
- Double-sided rule with imperial & metric units
- 104mm opening - enables you to measure round the widest door frames



PART CODE	BOX QTY.
GTG20000	10



Glazing Packers in Bulk & Convenience packs



- Glazing packers for toe & heeling glazed units
- All packers are 100mm long
- Convenience packs of 100 or bulk packs of 1000
- Single colours in 100s or 1000s
- Mixed colours in 100s, 300s or 500s

	1mm GREEN	2mm BLACK	3mm WHITE	
WIDTH	4mm GREY	5mm BLUE	6mm RED	BOX QTY.
28mm	(Mixed Pack 1-6mm) GBK281000M			100
28mm	(Mixed Pack 1-6mm) GBK28300			300
28mm	(Mixed Pack 1-6mm) GBK28600			600

WIDTH	1mm GREEN	2mm BLACK	3mm WHITE	BOX QTY.
20mm	GBK21201	GBK21202	GBK21203	1000
24mm	GBK21241	GBK21242	GBK21243	1000
26mm	GBK21001	GBK21002	-	1000
28mm	GBK10281	GBK10282	GBK10283	1000
28mm	GBK281001	GBK281002	GBK281003	100
30mm	GBK10301	GBK10302	GBK10303	1000
32mm	GBK10321	GBK10322	GBK10323	1000
WIDTH	4mm GREY	5mm BLUE	6mm RED	BOX QTY.
20mm	GBK21204	GBK21205	-	1000
24mm	GBK21244	GBK21245	GBK21246	1000
28mm	GBK10284	GBK10285	GBK10286	1000
28mm	GBK281004	GBK281005	GBK281006	100
30mm	GBK10304	GBK10305	GBK10306	1000
32mm	GBK10324	GBK10325	GBK10326	1000



Winbag Air Wedge Inflatable Fitting & Levelling Tool



The Winbag is a hand operated air cushion that has been designed to assist professionals in the installation or adjustment of windows, doors, household appliances and much, much more.

- Can be used in joints 2-50mm
- 135Kg load capacity per bag
- Won't scratch or damage the project
- Easy to inflate and deflate

PART CODE	BOX QTY.
WINBAG	20



Superglue



- Fast bonding of most non-porous surfaces, such as rubber, metals, plastic, glass etc.
- Adhesion can be accelerated using Xpert Superglue Activator
- Super fast adhesion
- High bond strength
- High viscosity

VISCOCITY	20g	50g	BOX QTY.
Low	GLU20202B	-	25
Medium	GLU20201B	GLU20501B	25
High	GLU20203	GLU20503	25



Superglue Activator



- Solvent-based aerosol spray activator
- Works with Xpert superglue to speed up adhesion
- Non-yellowing
- Reduces bloom and odour

SIZE	PART CODE	BOX QTY.
200ml	GLU72204	12



Glass Cleaner



- Trade strength glass cleaner
- Removes grease and dirt
- Quick-action non-smearing cleaner

SIZE	PART CODE	BOX QTY.
1 litre	PGC10100	12
5 litre	PGC10500	4
25 litre	PGC12500	1



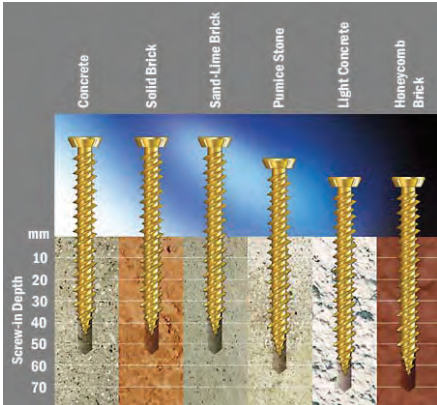
Paper Rolls



- Heavy duty industrial towels
- 2-ply

SIZE	PART CODE	BOX QTY.
175mm x 150m	TPP21815	6

FFT StarFix Direct Frame Anchor



- No plug concrete, masonry & brick screw
- ST30 recess
- High strength in temporary fastener applications
- Leaves no steel parts behind to corrode after removal
- Yellow finish

LENGTH	7.5mm DIAMETER	BOX QTY.
82mm	ASFFT75082	100
102mm	ASFFT75102	100
112mm	ASFFT75112	100
122mm	ASFFT75122	100
142mm	ASFFT75142	100
152mm	ASFFT75152	100

The Snapper®



- Fixing device that enables you to install a fully glazed window in 5 minutes
- Fits between frame and masonry
- No drilling
- No plastering
- No de-glazing on site

What is a 'Snapper'?

- A stainless spring-steel fixing with angled serrated tongues, which is fixed to the frame itself during manufacture
- It can be used with PVCu, timber or aluminium frames
- Drilling through the frame into the masonry is not necessary, the window is installed fully glazed
- Snapper will bite into all building materials

How does a 'Snapper' work?

- Located on the frame, the serrated tongues allow the frame to be pushed into place while acting as a reversed anchor that resists movement in the opposite direction
- Fitting the window takes 5 minutes
- Seal in the normal way then move on to the next installation

What about expansion?

- The Snapper is a double spring and will allow expansion and contraction without releasing its grip on the surrounding material
- The Snapper will adjust for frame-to-masonry tolerances of 1mm to 15mm

How strong is 'Snapper'?

- Made of austenitic stainless spring steel to BS 5770 compression and hard rolled with a tensile strength of approx. 80 tonnes per sq. in.
- The Snapper will survive a lateral pull on a frame of over 5 tonnes



Universal Fixing Cleats



- Universal fixing cleat compatible with most PVC systems
- Manufactured from galvanised steel
- 1.2mm thick, no frame deduction required
- Twist fit for speed of installation with screw fix detail (202mm)
- One size works with 50, 75 and 100mm cavities
- Lip/claw height 5.2mm

PART CODE	BOX QTY.
FCT10003	500

PART CODE	BOX QTY.
SNP10000	100



reXon 117 LMN Silicone



This low modulus neutral oxime curing multi-purpose silicone sticks firmly without primer to most surfaces including PVC, treated wood, aluminium, steel and glass*, making it ideal for sealing joints in construction and engineering applications. With the use of a primer, reXon 117 can also be used with confidence on alkali surfaces such as concrete and brick.

*reXon 117 silicone is not recommended for use on insulated glass (can affect the butyl sealing) or security glass (can affect the PVB film).

- For use outdoors and indoors in well-ventilation rooms
- High resistance to ageing, UV, weather conditions, low and high temperatures
- Not suitable for applications in continuous contact with water
- Permanent elasticity
- Neutral oxime curing system
- Application temperature: between 5°C & 40°C (do not apply when there is a risk of rain or frost)
- Skin forming time: 25-30 minutes at 23°C and 50% relative humidity
- Hardening rate: 2.5mm in 24 hours at 23°C and 50% relative humidity

COLOUR	RAL	SIZE	PART CODE	BOX QTY.
White		280ml	SIL20000	12
Clear	-	280ml	SIL20006	12
Brown	RAL8017	280ml	SIL20002	12
Black	RAL9005	280ml	SIL20005	12
Grey	RAL7016	280ml	SIL20007	12



Silirub LMN Low Modulus Neutral Cure



- An excellent quality neutral cure silicone sealant which remains permanently elastic
- Permanent colour
- UV resistant
- Very good adhesion on many materials
- Low modulus

COLOUR	RAL	SIZE	PART CODE	BOX QTY.
White		300ml	SIL41000	24
Brown	RAL8028	300ml	SIL41002	24
Chartwell Green	RAL6021	300ml	SIL41004	24
Black		300ml	SIL41005	24
Clear	-	300ml	SIL41006	24
Oak	RAL1011	300ml	SIL41008	24



Silirub N Neutral Cure



- Low modulus silicone sealant which remains permanently elastic
- Permanent colour
- UV resistant
- Very good adhesion on many materials

COLOUR	RAL	SIZE	PART CODE	BOX QTY.
White		300ml	SIL40000	24
Brown	RAL8028	300ml	SIL40002	24
Clear	-	300ml	SIL40006	24
Teak	RAL8002	300ml	SIL40007	24

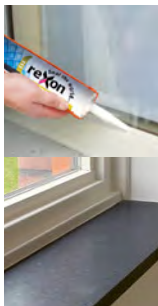
reXon 111
Hi-grade Silicone



This high-quality neutral silicone stays elastic and water resistant, and achieves universal adhesion* without primer on metals, wood, stone and masonry, as well as synthetic materials such as plastic (PVC, polycarbonate and plexi). That makes it ideal for sealing joints and junctions in a multitude of construction projects in buildings, cars, boats and caravans.

*reXon 111 silicone does not stick to bitumen, polyethylene, PTFE or polypropylene.

- Easy to apply indoors and outdoors
- Water resistant
- Neutral, odourless and acid-free
- Excellent adhesion without primer
- Cannot be painted
- Permanent elasticity
- Retains original colour and is UV and weather resistant
- Withstands temperatures from -50°C to 150°C
- Meets ISO 11600 F in G2
- Application temperature: between 5°C & 40°C (do not apply when there is a risk of rain or frost)
- Skin forming time: 25 minutes (colours) or 10 minutes (clear) at 23°C and 50% relative humidity
- Hardening rate: 3mm in 24 hours at 23°C and 50% relative humidity



COLOUR	RAL	SIZE	PART CODE	BOX QTY.
White	RAL9003	310ml	SIL21000	12
Clear	-	310ml	SIL21006	12
Cream	RAL9001	310ml	SIL22003	25
Cream (Eurocell/Linlar)	RAL1015	310ml	SIL221015	25
Tauare Irish Oak	RAL1020	310ml	SIL22012	25
Brown	RAL8017	310ml	SIL21002	12
Chartwell Green	RAL6021	310ml	SIL226021	25
Agate Grey	RAL7038	310ml	SIL22008	25
Signal Grey	RAL7004	310ml	SIL227004	25
Basalt Grey	RAL7012	310ml	SIL227012	25
Slate Grey	RAL7015	310ml	SIL227015	25

Silirub 2 Low Modulus
Neutral Cure



- A high quality neutral, elastic one-component joint sealant based on silicones
- Permanent colour
- UV-resistant
- Very good adhesion on many materials
- Excellent acoustic properties

COLOUR	RAL	SIZE	PART CODE	BOX QTY.
Brilliant White	RAL9016	300ml	SIL42000	24
Cream	RAL9001	300ml	SIL42003	15
Stone Cream	RAL1015	310ml	SIL42003S	15
Grey	RAL7015	300ml	SIL42001	24
Anthracite Grey	RAL7016	300ml	SIL42007	24
Brown	RAL8028	300ml	SIL42002	24
Clear	-	300ml	SIL42006	24
Irish Oak	RAL1011	300ml	SIL42008	15

Parasilico FR Fire Retardant
Silicone Sealant



- Fire resistant to British Standard BS 476: Part 20: 1987 & PREN 1366-3: 1998
- FDA-approved for use in the food industry
- Permanent elasticity
- Excellent adhesion on most building materials
- Apply with a standard applicator gun in temperatures between 5°C & 40°C
- High resistance to ageing, weather, UV and temperatures from -40°C to 100°C
- Skin formed after 3 hours at 23°C and 50% relative air humidity
- Vulcanisation: 1-2mm in 24 hours at 23°C and 50% relative air humidity

WHITE	SIZE	BOX QTY.
SIL26000	310ml	12

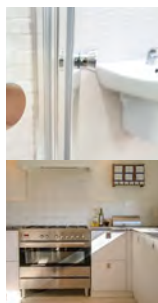


reXon 114
Sanitary Silicone



This high-quality neutral silicone sealant forms a flexible, water-resistant seal and is specifically designed for use in areas of high moisture such as baths, sinks and showers. It is neutral and odourless, mould resistant with a smooth consistency that's easy work and apply. ReXon 114 sanitary sealant can be used on acrylic, sensitive metals (eg stainless steel, aluminum), ceramic tiles, plastic, glass and all other materials commonly found in wet rooms and bathrooms.

- Water resistant
- Anti-mould
- Resistant to UV, chlorine and temperatures from -50°C to + 150°C
- Very easy to work and smooth
- Does not stick to hands or form threads
- Permanent elasticity
- Acid free
- Excellent adhesion without primer
- Application temperature: between 5°C & 40°C
- Drying time: Film formed after 6 minutes at 23°C and 50% relative humidity
- Hardening: 2.5mm in 24 hours at 23°C and 50% relative humidity



reXon 121
Acrylic

12.5%
Expansion Rate



If you need to fill cracks and gaps in walls, plaster board and brick work, around door- and window frames and window sills, then reXon 121 acrylic silicone is the right product for the job. This high-quality caulk is very easy to work with and smooth to give a superior finish that can be painted once dry. It can be used indoors and outdoors but should not be used in areas that are constantly wet. 121 acrylic adheres to brick, concrete (cellular), masonry, plaster, wood, ceramic tile, metals and rigid PVCu.

- Can be painted perfectly
- Easy to work
- Excellent adhesion without primer
- Remains watertight after polymerisation complete
- Suitable for use indoors only
- Elastoplastic permanently (max 12.5% elasticity)
- Does not contain phthalates
- Application temperature: between 5°C & 40°C
- Drying time: Film formed after 70 minutes
- Completely dry after approx. 7 days



COLOUR	SIZE	PART CODE	BOX QTY.
White	310ml	SIL23000	12

COLOUR	SIZE	PART CODE	BOX QTY.
White	310ml	SIL24000	12



- Low modulus acetoxy silicone
- Very fast skinning and curing
- Contains a powerful fungicidal agent
- Primerless adhesion on many common construction materials (glass, ceramic, porcelain, metals and wood)
- Resistant to UV, rain, snow and ozone, plus many chemicals
- High and low temperature resistant

COLOUR	SIZE	PART CODE	BOX QTY.
White	300ml	SIL57000	24
Clear	300ml	SIL57006	24



7.5%
Expansion Rate

- Acrylic polymer based sealant and filler
- Solvent free and virtually odourless
- Very easy to apply
- Colourfast and waterproof after curing
- Can be painted after curing
- Very good adhesion on many porous surfaces
- For sealing of window sills, skirting boards, architraves, plasterboard, brickwork, etc
- Can be used for filling small cracks in plaster

COLOUR	SIZE	PART CODE	BOX QTY.
White	300ml	SIL59001	25

reXon 284
Adhesive



This high-quality white building mastic uses hybrid polymers to achieve flexible and durable adhesion of almost all building materials including stone, wood, PVC, aluminium, metal, concrete and more. Please note, reXon 284 adhesive will not stick to PA, PE, PP, Teflon® and bitumen.

- Elastic-bonding
- Air- water- and dust-tight
- Can be used in- and outdoors. Apply in temperature between 5°C & 40°C
- UV and weather resistant
- Can be painted with most water and solvent based paints.
- Film formed after approx. 30 min at 20°C and 65% relative air humidity
- Touch dry after 2 hours
- Hardening: 2.5mm in 24 hours at 20°C and 65% relative humidity
- Contains no solvents, isocyanates or phthalates
- 290ml tube



COLOUR	SIZE	PART CODE	BOX QTY.
White	290ml	TGLU20000	12

reXon 282
Adhesive



There's virtually no limit to the different materials reXon 282 multipurpose adhesive will stick to! This translucent MS polymer mastic forms a completely clear permanent bond between a huge range of smooth or porous surfaces, including traditional building substrates such as brick, plaster, stone, marble, granite, concrete and metal, as well as synthetic materials including polystyrene, polyurethane, chipboard and polycarbonate.

- Translucent - virtually invisible when gluing together layers of glass or acrylic
- Easy to apply
- Adheres to wet surfaces
- Good weather and UV resistance although there may be a small colour change over time
- Solvent free and virtually odourless
- Apply in temperature between 5°C & 40°C
- Film formed after approx. 25 min at 20°C and 65% relative air humidity
- Touch dry after approximately 2 hours
- Fast hardening: 2-3 mm in 24 hours at 20°C and 65% relative humidity
- Maximum adhesion obtained after 3 weeks
- Can be painted immediately with most water and solvent based paints



COLOUR	SIZE	PART CODE	BOX QTY.
Clear	290ml	TGLU20006	12

Fix ALL® High Tack



- Fix ALL® High Tack is a high quality, single component joint sealant with high adhesive strength. It is based on MS-Polymers®
- High initial tack reducing the need for initial support
- Fast curing, quick build-up of end strength, high sheer strength after full cure (no primer)
- Easy to apply and easy to tool and finish
- Remains elastic after curing
- No odour
- Does not contain isocyanates, silicones or solvents
- Paintable with all water based paints
- Good colour stability, weather and UV resistance
- Can be applied on wet surfaces, even under water

COLOUR	SIZE	PART CODE	BOX QTY.
White	290ml	TGLU40290HT	12

Fix ALL® Crystal



- A crystal clear, neutral, elastic, single component sealant/adhesive based on MS-Polymers®
- Completely transparent
- High performance mechanical properties
- Good extrudability even at low temperatures
- Ecological advantages – free of isocyanates, solvents, halogens and acids
- Minimal health and safety considerations
- Can be painted with water-based paints and a number of other systems (preliminary test required)
- Permanently elastic after full cure
- Invisible bonding of glass and other transparent materials

COLOUR	SIZE	PART CODE	BOX QTY.
Crystal	290ml	TGLU46290	12



Soudalead PB



- Low modulus, neutral cure silicone sealant and filler for use on lead and other metals
- Very easy to apply (no mixing) with primerless adhesion
- Permanent colour
- UV resistant
- Stays elastic after curing
- Compatible with all lead types
- Virtually odourless

COLOUR	SIZE	PART CODE	BOX QTY.
Grey	300ml	SIL31000	25



Self Cleaning Glass Sealant SMX506



- Specifically developed for use with self-cleaning glass between glass and window frames in residential installations
- Can be applied on to glass without primer and is completely silicone free
- Leaves self-cleaning function completely unaffected

COLOUR	SIZE	PART CODE	BOX QTY.
White	290ml	SIL43000	12
Black	290ml	SIL43005	12



Aquafix - All Weather Sealant



- A solvent-based plasto-elastic sealant that adheres to most surfaces even when damp or under water
- Ideal as an emergency repair product or as a general-purpose sealant where the job must be done even in the rain
- Totally transparent
- Easy to apply and tool
- Good slump resistance

COLOUR	SIZE	PART CODE	BOX QTY.
Clear	310ml	SIL57106	15



T-Rex



- Fibre reinforced
- Excellent initial grab (at least 125kg/m², full surface bonding) for fast, powerful and direct bonding
- Direct application onto one substrate
- Replaces nails and screws
- Suitable for bonding on uneven surfaces
- Excellent adhesion on a wide range of construction materials both in interior and exterior applications

COLOUR	SIZE	PART CODE	BOX QTY.
Beige/Brown	310ml	TRX10000	12

Heavy Duty Dripless Mastic Gun



With its dripless trigger action, the Xpert heavy duty mastic gun is a must-have purchase for every professional.

- Special trigger prevents material from being released after the last compression
- Cuts down on waste
- Saves mess
- Revolving
- Will hold up to a 400ml tube

CARTRIDGE SIZE	PART CODE	BOX QTY.
Up to 400ml	SIL99990	1

Cox Skeleton Gun



- Made in the UK from high quality steel
- Takes up to 400ml cartridges
- Powerful trigger action, case hardened clutch plate, patented pressure relief device
- Welded steel, epoxy-coated frame. Zinc coated
- Ideal for both the professional and the DIY enthusiast

CARTRIDGE SIZE	PART CODE	BOX QTY.
Up to 400ml	SIL99998	1

Heavy Duty Revolving Caulk Gun



- Trade quality
- Barrel rotates to allow for smooth application of fillers and caulk
- Takes up to 400ml cartridges

CARTRIDGE SIZE	PART CODE	BOX QTY.
Up to 400ml	SIL99995	1

Xpert Professional PU Applicator Gun



- Stainless steel nozzle
- Full teflon-coated basket and internal parts
- Length: 200mm

USE | CLEAN | REPEAT !

To keep your foam gun in good working order clean regularly

PART CODE	BOX QTY.
GUN10000	1



reXon 311
Handheld PU Foam



This high-performance polyurethane foam provides a quick and easy way to seal and insulate joints and cracks against heat loss, drafts and noise. ReXon 311 foam will adhere to many common building materials, such as wood, concrete, stone, masonry, plaster, metal, glass, polyester, polystyrene foam and PVC. Please note, this product does not stick to polyethylene film, silicone or PTFE.

- Suitable for use indoors and outdoors (protect against atmospheric influences)
- Good resistance to chemicals, aging and temperatures from -40°C to 90°C
- Good sealing capacity
- Should be applied in temperatures between 5°C and 30°C
- High volume production – gives 35-40 litres
- Minimum counter-blow (low expansion)
- Ozone-friendly - free of CFK and HCFC
- Hardens under the influence of the humidity in the air
- Touch dry after 16 minutes
- Hard enough to cut, saw, sand and paint after 40 minutes
- Excellent adhesion to many surfaces



Soudafoam® Comfort B3
Hand Held Foam
Simply Genius!



Perfect use with one hand



Perfect control of extrudability of the foam



Possible to re-use up to 6 weeks after first use

- Regular users of hand held PU foam are often frustrated by inconvenient two-handed operation, difficulty of application and a limited shelf life after first use
- The GENIUS GUN® is different! This specially designed patented trigger mechanism ensures precise dosage and removes the need for an additional gun. Simply Genius!
- Soudafoam Comfort B3 Genius Gun is a one component, polyurethane expanding foam
- Excellent form stability; no shrink; no post expansion
- Excellent filling characteristics
- Excellent adhesion to all building materials (except PE, PP and PTFE)
- High insulation values, both thermal and acoustical

SIZE	PART CODE	BOX QTY.
750ml	FIF20001	12

SIZE	PART CODE	BOX QTY.
600ml	FIF50800	12

reXon 341
Gun Grade Foam

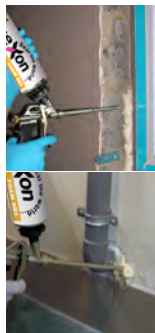


reXon 342 Fire Resistant
Gun Grade Foam



This fast-curing thermal and acoustic insulating polyurethane foam can be used indoors and outdoors to fill holes, cracks and cavities in walls, ceilings and roofs, as well as to insulate pipes, tubes and electrical conduits. It will adhere to most building materials such as wood, concrete, stone, masonry, plaster, metal, glass and many synthetic materials such as polyester, polystyrene and PVC. Please note, reXon 341 will not stick to polyethylene sheets, silicones or PTFE.

- Should be applied with a standard NBS gun in temperatures between 5°C and 30°C
- Suitable for use indoors and outdoors (protect against atmospheric influences)
- Good resistance to chemicals, aging and temperatures from -40°C to 90°C
- Safety valve ensures no moisture intrusion
- High yield: 50-55 litres
- Minimal counter-blow: low expansion
- Ozone-friendly - free of CFK and HCFC
- Can be painted
- Excellent adhesion to many surfaces
- Good closing power
- Hardens under the influence of the humidity of the air
- Touch dry in 10-14 minutes
- Hard enough to cut in 30-40 minutes



SIZE	341	BOX QTY.
750ml	FIF20000	12

This fire-resistant single-component expanding PU gun foam from reXon is ideal for sealing, insulating and filling bigger joints and cracks in fire-rated walls, ceilings or between the frames of fire-proof windows and doors. This foam has excellent adhesion, sticking to most common building materials including concrete, timber, stone, masonry, plaster and metal, as well as plastic, polystyrene, PU-foam and PVC etc.

- Foam is fire resistance rated to EN 1366-4 and will stop fire for up to 4 hours
- Ozone-friendly: CFC and HCFC free
- Foam can be cut and painted after less than 30 minutes curing time
- Achieves precise application with a standard NBS gun
- Safety valve shuts out moisture to ensure foam can't cure in the can
- Good filling capacity yields 40-45 litres from a 750ml can
- Recommended application in temperatures from +5°C - +30°C (Optimal at 20°C)
- Suitable for indoor and outdoor use – cured foam resists temperatures from -50°C - +90°C
- Foam relies on the moisture in the air (humidity) to cure
- Excellent adhesion to most surfaces

SIZE	342 FR	BOX QTY.
750ml	FIF20701	12



Soudafoam® B3
Gun Grade Foam



This Soudal gun foam is a one component, self expanding ready to use foam. Suitable for window and door frame installation, filling of cavities and sealing of openings in roof constructions.

- Adhesive with most substrates
- Precise application with foam gun system
- High thermal and acoustic insulation
- Excellent filling capabilities
- Very stable (unlikely to shrink after application)

SIZE	PART CODE	BOX QTY.
700ml	FIF50700	12



Xpert Professional PU
Applicator Gun



- Stainless steel nozzle
- Full teflon-coated basket and internal parts
- Length: 200mm

USE | CLEAN | REPEAT !
To keep your foam gun in good working order clean regularly

PART CODE	BOX QTY.
GUN10000	1



reXon 351
PU Gun Foam Cleaner

ReXon 351 cleaner can be used to remove every last trace of freshly-applied insulation foam, as well as thoroughly clean the foam gun, valve and trigger of any residual foam product. Cleaning must always be done before the foam is dry, otherwise it can only be removed mechanically.

Tip: before use, test in an inconspicuous place to avoid damage of delicate surfaces.

- Do not dilute
- 500ml can

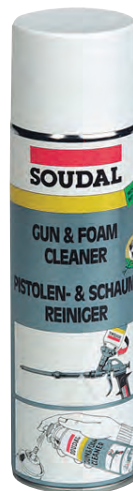
SIZE	PART CODE	BOX QTY.
500ml	FIF20002	12



Gun Foam Cleaner

- Aerosol applied solvent based polyurethane foam cleaner used for the cleaning of PU foam applicator guns and gun valves
- Uncured PU foam can also be easily removed with the attachable spray nozzle
- Quick & easy to use
- Attachable spray nozzle

SIZE	PART CODE	BOX QTY.
500ml	FIF50000	12



reXon 125
Acrylic Filler



This ultralight, ready-to-use filler is ideal for levelling the surface of walls and repairing single-layer cracks and holes in plaster, concrete, masonry stone, wood and many other building materials.

- Ultralight
- Does not shrink or crack
- Can be applied indoors and outdoors in temperatures between 5°C & 35°C
- Fast drying. Paintable after just a few minutes
- Film formed after 10 minutes
- Completely dry and ready to sand after 24 hours
- Resistant to temperatures between -20°C to + 100°C
- 1 litre pot

COLOUR	SIZE	PART CODE	BOX QTY.
White	1 litre	FIL20001	12

reXon 127
Cement Repair



A convenient, simple way to repair cracks and fill holes in walls without having to go to the trouble and mess of mixing up a batch of mortar from scratch. Easy-to-use and ready-to-go, this high-quality plasto-elastic cement repair has a granular structure and comes in cement grey to make light work of repairing joints in masonry. reXon 127 cement repair is particularly useful for making good on crumbling cement around windows and window sills during fitting.

- Ready to use and easy to apply
- Suitable for indoor and outdoor use
- Excellent adhesion on all porous substrates such as plaster structure, stone, concrete and wood.
- Can be painted once dry
- Not suitable for joints that are continually exposed to water
- Application temperature: between 5°C & 40°C. (Do not apply when there is a risk of rain or frost)
- 310ml tube
- Drying time: Film formed after 20 minutes
- Hardening: 0.5mm in 24 hours at 23°C and 50% relative humidity
- Allows 5% joint movement



COLOUR	SIZE	PART CODE	BOX QTY.
Grey	300ml	SIL25000	12

Soudafill Light



- Soudafill Light is an ultra lightweight ready to use filler for gaps and cracks in most porous building materials
- Easy to use and fast curing
- Smooth finish, no sanding required
- Sets hard on curing
- Does not sag or shrink
- Can be painted with alkyd & water based paints
- Suitable on most porous surfaces
- Can be sanded after curing

SIZE	PART CODE	BOX QTY.
900ml	FIL10000	6

Butyband Flashing



- Ready to use, self-adhesive, elastoplastic sealing tape based upon butyl rubber
- Fast and excellent adhesion to many substrates
- Waterproof
- Flexible - even when cold
- UV & weather resistant

SIZE	PART CODE	BOX QTY.
10m x 100mm	LFL10100	6

A

Adhesives	116
Air Tool Accessories	112
Air Tools	112
Air Wedge	115

B

Bi-fold Door Locks	63-66
Bi-fold Gear	67-73
Caldwell	67-73

C

Cabin Hooks	110
Caulk Guns	123
Cleaners	116
Foam	126
Glass	116
Cockspur Handles	26-27
Kore	27
Securistyle	27
Trojan	27
Cylinders	94-101
Eurospec	97
Yale	98-101
TS 007 1 Star	97-99
TS 007 3 Star	100-101

D

Deadlatches	78-79
Door Chains	110
Door Closers	106-109
Door Handles	87-93
Trojan	88-93
TS 007 2 Star PAS 24	92-93
Door Locks	63-66
Multipoint	63-66
Bi-fold	63-66
Mortice	80-81
Door Restrictors	21-22 & 25

E

Electric Strikers	77
Espagnolette Bars	20
Kenrick	20
Espagnolette Handles	26 & 28-29
Securistyle	29
Yale	28

F

Fillers	120 & 127
Acrylic	120
Cement Repair	127
Light Repair	127
Fire Retardent Foam	125
Fire Retardent Sealant	119
Fixing Anchors	117
Fixing Foam & Fillers	124-126
Fire Retardent	125
Flushbolts	74-76
Foam Applicator Gun	123
Folding Openers	30-35
Caldwell	30-31
Strand Duoflex	32-33
Order/Quote Form	34
Friction Hinges	6-19
Cotswold	10-14
Kore	7-19
Securistyle	15-18
Trojan	19
Egress	8, 12 & 19
Egress Easy Clean	9, 13-14 & 18-19
Restricted	11 & 17
Slimline	16
Standard	7, 10 & 15
Triple Glazing	14 & 19

G

Glass Cleaner	116
Glazed-in Vents	51
Glazing Packers	115
Glazing Tools	114-115
Glues	116 & 121

H

Highline Window Controls	36-49
Electrical Controls	44-48
Manual Controls	38-43
Order/Quote Form	49

L

Letterplates	102-105
Trojan	103
Yale	104-105
TS 008	104-105
Louvres	

M

Machinery Consumables	114
Mastic Guns	123
Measuring Equipment	114
Multipoint Door Locks	63-66
Yale	63-66

P

Panic Bars	82-86
Axim	82-83
OMEC	86
Strand	84
YALE	85
Paper Roll	116
Patio Rollers	62
Profile Cylinders	94-101
Eurospec	97
Yale	98-101
TS 007 1 Star	97-99
TS 007 3 Star	100-101

R

Restrictors	21-25
Cotswold	22
Cubelock	23
JJ Banks	24
Kore	24-25
Yale	25

S

Sash Blockers	25
Screws	117
Sealants	118-119 & 122
Fire Retardent	119
Silicones	118-120
Sliding Patio Rollers	62
Skeleton Guns	123

T

Trickle Vents	50
---------------	----

V

Ventilation	50
Glazed-in Vents	51
RW Simon	51
Louvres	52-57
DUCO	52-57
Order/Quote Form	58
Trickle Vents	50
RW Simon	50

W

Window Fixings & Cleats	117
Window Handles	26-29
Cockspur	26
Espag	27-29
Window Hinges	6-19
Window Restrictors	21-24

WINDOW WARE – (“THE SELLER”) – GENERAL CONDITIONS OF SALE

You can also find a copy online at www.windowware.co.uk/terms-sale

1. DEFINITIONS AND INTERPRETATIONS

1.1 In these conditions: **“Buyer”** means the person who accepts a quotation of the Seller for the sale of the Goods or whose order for the Goods is accepted by the Seller. **“Conditions”** means these standard terms and conditions of sale. **“Consumer”** means a Buyer that is an individual acting for purposes that are wholly or mainly outside that individual’s trade business, craft or profession. **“Contract”** means the contract for the sale and purchase of the Goods (in which these Conditions apply). **“Goods”** means the goods (including any instalment of the goods or any parts for them) which the Seller is to supply pursuant to or in connection with the Buyer’s purchase order and Contract. **“Seller”** means Heywood Williams Components Limited trading as Window Ware. **“Service”** means the service if any which the Seller is to perform pursuant to or in connection with the Buyer’s purchase order and the Contract.

1.2 Any reference in these Conditions to any provision of a statute shall be construed as a reference to that provision as amended, re-enacted or extended at the relevant time.

1.3 If the Buyer is a Consumer then Condition 22 applies.

2. ACCEPTANCE AND AMENDMENT

2.1 These Conditions shall (unless or except to the extent a director of the Seller otherwise agrees in writing) apply to all tenders, offers, quotations, acceptances, agreements and deliveries relating to the sale of Goods and/or the provision of the Service by the Seller and the Buyer shall be deemed to assent thereto.

2.2 No other conditions or modifications of these Conditions shall be binding on the Seller unless agreed by a director of the Seller in writing and the Seller shall not be deemed to accept such other conditions nor to waive any of the Conditions by failing to object to provisions contained in any purchase order or other communication from the Buyer.

2.3 No representative, agent or salesman who is not a director of the Seller has any authority to amend or waive any of the Conditions or other provisions of the Contract.

2.4 Quotations shall only be valid for a maximum period of 30 days from date of issue and may be withdrawn by the Seller by written or oral notice to the Buyer at any time prior to the Contract being formed. The Contract will only be formed when the Seller has accepted the Buyer’s order, whereupon a valid Contract shall be formed between the Buyer and the Seller.

2.5 Prices are quoted by the Seller on the basis of the limitations of liability set out in these Conditions.

2.6 The Buyer agrees that the entry into any Contract(s) by the Seller is not intended to and shall not, unless expressly agreed otherwise by the Buyer in writing, create any course of dealings between the parties or any overarching obligation upon the Seller to enter into any future contract to supply goods or services to the Buyer.

3. SPECIFICATIONS

3.1 Any advice or recommendation given by the Seller or its employees or agents as to the storage, application or use of the Goods which is not confirmed in writing by the Seller is followed or acted upon entirely at the Buyer’s own risk, and accordingly the Seller shall not be liable for any such advice or recommendation which is not so confirmed. Such advice or recommendation shall not form part of the Contract or Conditions.

3.2 All descriptions, specifications, drawings, weights, dimensions, capacities, prices, performance ratings and other data quoted or submitted by the Seller or included in any sales literature, quotation, price list, acknowledgement of order, invoice or other document or information issued by the Seller are to be deemed approximate only (except where stated in writing to be exact or expressly made part of the essence) and subject thereto none of such items or any part thereof shall form part of the Contract.

3.3 Any typographical, clerical or other error or omission in any sales literature, quotation, price list, acknowledgement of order, invoice or other document or information issued by the Seller shall be subject to correction without any liability on the part of the Seller.

3.4 The Seller reserves the right to make any changes without notice in the specification of the Goods which are required to conform with any applicable safety or other legal requirements or which do not materially affect their quality or performance.

3.5 Where the Buyer supplies or specifies materials to be used in the Contract the Seller will not be liable for any defect in the Goods or the Service or errors in delivery or performance caused by defects in or unsuitability of materials so supplied or specified.

4. ORDERS

No order which has been accepted by the Seller may be cancelled by the Buyer except with the agreement in writing of the Seller and on terms that the Buyer shall indemnify the Seller in full against all loss (including loss of profit), costs (including the cost of all labour and materials used), damages, charges and expenses incurred by the Seller as a result of cancellation.

5. PRICES

5.1 Unless otherwise agreed in writing or stated on the Seller’s acknowledgement of order the price for the Goods and/or the Service shall be the Seller’s list price at date of the Seller’s acceptance of the Buyer’s order. The Seller reserves the right to amend the price list at any time, such amendment to be effective immediately upon notification to the Buyer in writing in relation to all contracts after such notification.

5.2 Prices are subject to fluctuation in the event of any increase in the cost of labour or in the cost of materials or overheads affecting the cost of supplying the goods whether as a result of a change in law or otherwise. Any increase in such costs will be added to the price. The Seller also reserves the right to make an additional charge to cover any increase in transport costs occurring before the date of delivery.

5.3 After an order has become binding on the Seller, all prices will have VAT added at the appropriate rate and are subject to increase to reflect any increases in costs to the Seller (including without limitation costs of materials, labour, transport and services, and fluctuations in currency exchange rates and any tax, duty, fee or

charge imposed by any government or other authority) prior to delivery, any change in delivery dates, quantities or specifications for the Goods or the Service which is requested by the Buyer, or any delay caused by any instructions of the Buyer or failure of the Buyer to give the Seller adequate information or instructions.

5.4 Unless otherwise agreed in writing or stated on the Seller’s acknowledgement of order, packaging, delivery and transport charges and insurance are not included in the price and will be charged at extra at the Seller’s then current rates for the same.

5.5 From time to time, prices for items advertised on the Seller’s website may differ from prices shown in the then current catalogue or on the Seller’s trade counter. In these circumstances the Seller is not obliged to honour any website price (except on orders placed through the website).

5.6 “While Stocks Last” and similar pricing promotions may be withdrawn by the Seller at any time without prior notice. The Seller is not obliged to honour any orders placed where promotional stock has been exhausted, even where this is due to an error or omission on the part of the Seller.

5.7 In the event of an obvious pricing error, where the goods are incorrectly priced, the Seller is not obliged to supply the Goods at the incorrect price.

5.8 Where orders are placed through the website, acceptance will only be when the Goods are despatched. Notwithstanding this, we may send an email confirming receipt of your order. This is not acceptance and we will not be bound until the Goods are despatched.

6. PAYMENT

6.1 Unless otherwise agreed in writing or stated on the Seller’s acknowledgement of order, payment shall be due and payable by the end of the month following the calendar month in which the invoice is dated or (if earlier) upon the occurrence of any circumstances whereunder, pursuant to the Contract or these Conditions, payment falls immediately due and shall be made without any set-off, counterclaim or deduction whatsoever. Time of payment shall be of the essence of the Contract.

6.2 The Seller reserves the right at any time before proceeding further with an order to demand full or partial payment of monies due and payable under the Contract and under any other contract between the Seller and the Buyer.

6.3 If the Buyer defaults in any payment the Seller may in addition to exercising the right contained in Condition 6.2 be entitled, without prejudice to any other right or remedy, to do all or any of the following:

6.3.1 to suspend any or all further deliveries under the contract and under any other contract or contracts between the Seller and the Buyer then current, without notice;

6.3.2 to charge interest on any amount outstanding at the rate of 8% per annum above the base rate of the Bank of England, such interest being charged as a separate, continuing obligation not merging with any judgment together with any statutory debt recovery costs;

6.3.3 to serve notice on the Buyer requiring immediate payment for all goods supplied by the Seller under this and all other contracts with the Buyer whether or not payment is otherwise due;

6.3.4 to require upfront payment for any or all future supply of goods under this Contract or any other contract; and

6.3.5 to sue for the price of the goods even though title may not have passed to the Buyer.

6.4 The Seller shall have a lien on all undelivered Goods which the Buyer agrees to purchase from the Seller for all monies due from the Buyer to the Seller under any contract between them and the Buyer shall have no right of set-off in respect of such monies.

6.5 All rights and remedies afforded in these Conditions for non-payment shall be in addition and without prejudice to all other rights and remedies available to the Seller under the Contract or at law.

6.6 Notwithstanding any other provision of these Conditions, the Seller reserves the right to refuse shipment of the goods if the total amount owing by the Buyer to the Seller under any contract made between them exceeds any credit limit agreed by the Seller from time to time.

7. DELIVERY

7.1 Time of delivery is not of the essence of the Contract and any time or date specified by the Seller as the time at which or the date on which the Goods will be delivered or the Service will be performed is given and intended as an estimate only and the Seller shall not be liable for any loss, damage or expense howsoever arising from delay in delivery.

7.2 The Seller reserves the right to make delivery by instalments unless otherwise expressly agreed in writing. The period during which delivery by instalments may be made and the quantity of Goods delivered in each instalment shall be at the Seller’s discretion.

7.3 Where Goods are delivered in instalments, each delivery shall constitute a separate contract (in which these Conditions apply). (mutatis mutandis) and failure by the Seller to deliver any one or more of the instalments or any claim by the Buyer in respect of any one or more instalments shall not entitle the Buyer to treat the Contract as repudiated.

7.4 If the Buyer fails to take delivery of Goods or to give the Seller adequate delivery instructions at the time stated for delivery (otherwise than by reason of any cause beyond the Buyer’s reasonable control or the Seller’s fault) then, without prejudice to any other right or remedy available to the Seller (including its right to payment) the Seller may:

7.4.2 store the Goods until actual delivery and charge the Buyer for the reasonable costs (including insurance) of transportation and storage; and

7.4.3 sell the Goods at the best price readily obtainable and (after deducting all reasonable storage, transport and selling expenses) account to the Buyer for the excess over the price under the Contract or charge the Buyer for any shortfall below price under the Contract; and the Buyer shall indemnify the Seller in full against all losses, damages, charges and expenses incurred by the Seller as a result of the Buyer’s said failure to take delivery or give adequate delivery instructions to the extent that the Seller’s said losses, damages, charges and expenses are not covered by any payments made or monies obtained under 7.4.1 to 7.4.3.

7.5 Without prejudice to any other right or remedy of the Seller whether under these Conditions or otherwise, if the Buyer is to pay the Seller for the Goods on delivery of the Goods and fails to do so the Seller reserves the right not to deliver the

...continued overleaf

TERMS & CONDITIONS

goods and to charge the Buyer for such attempted delivery and any later delivery of the Goods at the Seller's then current rates for the same.

7.6 The Buyer shall be solely responsible for the proper unloading of the Goods. If, to assist the Buyer remove the Goods from point of delivery, the Seller or any sub-contractor does any loading or unloading of goods free of charge, no liability whatsoever shall thereby be incurred by the Seller or sub-contractor and the Buyer shall indemnify the Seller in respect thereof.

7.7 Unless agreed otherwise by the Seller the Goods will be delivered to the Buyer's premises stated on the Seller's acknowledgement of order, subject to Condition 5.4 of these Conditions.

8. BUYER'S OBLIGATIONS AND CLAIMS ON DELIVERY & RETURNS POLICY

8.1 The Buyer will:

8.1.1 sign for any damages or lost packages at time of delivery; and

8.1.2 notify the Seller in writing within five days of delivery or before manufacturing with the Goods, whichever is the earlier, of any error in quantity, weight or description of Goods delivered.

8.2 Failure to make any notification in accordance with paragraph Condition 8.1 above could mean that the Buyer is unable to make a claim.

8.3 Goods can only be returned in accordance with the following:

8.3.1 returns will be at the sole discretion of the Seller and Goods may only be returned upon receiving written consent from the Seller. The Seller's returns policy, a copy of which is available on request, must be followed so that Goods can be clearly identified upon receipt and credited by the Seller in a timely manner;

8.3.2 goods should not have been used or damaged by the Buyer in any way. Returns should be sent back to the Seller in a re-saleable condition in the original packaging unless signed for as damaged, or were defective at point of receipt by the Buyer; and

8.3.3 unless Goods are defective, or have been sent by the Seller in error, returned items will be subject to cost of collection and a restocking charge which will be notified to the Buyer in advance. When a collection date has been agreed by the Buyer and the Seller, but the carrier notifies the Seller there was nothing to collect, the Seller will pass on these fees to the Buyer.

9. PACKAGING

9.1 Packaging supplied by the Seller, unless otherwise expressly agreed in writing, is intended to provide adequate protection in normal conditions of transit of expected duration. Where the Seller indicates that such packaging is to be redeemed to the Seller, the Buyer shall be responsible for returning such packaging as soon as reasonably practicable, carriage paid and in good condition.

10. EXPORT TERMS

10.1 Unless otherwise agreed in writing the prices for export sales outside of the United Kingdom are quoted on a FOB (designated UK mainland address) basis.

10.2 The Buyer shall be responsible for obtaining and complying with any necessary import/export licences, permits and contracts for the supply and delivery of the goods. It is the Buyer's responsibility to ensure that the goods comply with all legal and customary requirements in all jurisdictions into which the goods may be shipped or resold (and it shall indemnify the Seller and keep the Seller indemnified against any losses, claims, damages or expenses suffered or incurred by the Seller as a result of the Buyer failing to do this).

11. RISK AND TITLE TO GOODS

11.1 All goods are supplied to the Buyer by the Seller on the following terms:

11.1.1 risk shall pass to the Buyer (so that the Buyer is then responsible for all loss or deterioration of the goods or for any damage occurring) if the Seller is responsible for delivering or arranging for delivery of the goods, at the time when the goods arrive at the place for delivery (whether or not delivery is possible), or in all other circumstances, at the time when the goods leave the premises of the Seller.

11.1.2 the goods shall remain the sole and absolute property of the Seller as legal and equitable owner until such time as all sums (including any default interest) due to the Seller from the Buyer, (a) under this Contract and under all other contracts between the Seller and the Buyer (including any sums due under contracts made after this Contract) whether or not the same are immediately payable and (b) under all contracts between the Seller and any associate or subsidiary company of the Buyer or any company under the ultimate control of the same parent company as has ultimate control of the Buyer, have been paid in full;

11.1.3 until such payment the Buyer shall be in possession of the goods solely as bailee for the Seller and shall store the goods separately in such a way as to enable them to be identified as the property of the Seller and maintain the Goods in satisfactory condition. The Buyer shall not remove, deface or obscure any identifying mark or packaging on or relating to the goods;

11.1.4 the Seller reserves the immediate right at any time of re-possession of any goods to which it has retained title and thereafter to re-sell the same and for this purpose the Buyer hereby grants an irrevocable right and licence to the Seller's employees and agents to enter at any time upon all or any of its premises with or without vehicles during normal business hours. This right shall continue to subsist notwithstanding the termination of the contract for any reason and is without prejudice to any accrued rights of the Seller hereunder or otherwise;

11.1.5 as a separate and independent condition, the Buyer shall be at liberty and may in the ordinary course of its business and prior to title passing, sell and deliver the goods to any third party but such right shall immediately cease should any of the events in Condition 14 and 15.1 apply to the Buyer; and

11.1.6 whilst the goods remain the property of the Seller, the Buyer shall insure the goods against all usual risks for an amount equal to or greater than the purchase price and hold the proceeds of such insurance on trust for the Seller.

12. WARRANTIES AND LIABILITY

12.1 The Seller takes reasonable steps to ensure that the goods shall be free from major defects for a period of one year following delivery (subject to fair wear and tear). The Seller does not guarantee the decorative finish of the goods. The Seller is not liable for defects arising from faults caused by incorrect or poor installation or fitting.

12.2 Any claim by the Buyer which is based on any shortage or any defect in

the quality or condition of the goods or their failure to correspond with specification which are visible on inspection shall (whether or not delivery is refused by the Buyer) be notified to the Seller within three working days from the date of delivery. If delivery is not refused, and the Buyer does not notify the Seller accordingly, the Buyer shall not (subject to condition 12.3) be entitled to reject the goods and the Seller shall have no liability for such defect or failure, and the Buyer shall be bound to pay the price as if the goods had been delivered in accordance with the contract.

12.3 Any claim relating to defects in materials, mechanical effectiveness or workmanship that were not visible on delivery shall only be valid if such claim is made within one year following delivery of the goods (or if longer the guarantee period stated in the Seller's brochure at the time the contract was made) and in any event within seven days of discovery of the defect. All warranties are subject to the conditions stated in the brochure from time to time. Where fitting and aftercare instructions are provided with the goods, the Buyer shall be required to prove that these have been complied with in order to support any claim. The Seller shall have no liability for any claims made following the expiry of such period.

12.4 Where any valid claim in respect of any of the goods which is based on any defect in the quality or condition of the goods or their failure to meet specification is notified to the Seller in accordance with

12.2 or 12.3 above, the Seller shall be entitled to repair or replace the goods (or the part in question) free of charge or, at the Seller's sole discretion, refund to the Buyer the price of the goods (or a proportionate part of the price), but the Seller shall have no further liability to the Buyer whatsoever.

12.5 In the case of goods supplied by the Seller to the Buyer that are not branded or otherwise identified as the Seller's goods ("Third Party Goods"):

12.5.1 the Seller gives no assurance or guarantee that the sale or use of the goods will not infringe the patent, copyright or other industrial property rights of any other person, firm or company; and

12.5.2 the obligations of the Seller relating to defects in such goods are limited to the guarantee (if any) which the Seller receives from the manufacturer or third party supplier or such goods.

12.6 For the avoidance of doubt, the remedies set out in Conditions 12.4 and 12.5 above represent the Seller's entire liability in respect of any defective goods and without limitation to the generality of the foregoing:

12.6.1 the Seller shall be under no liability in respect of any defect in the goods arising from any drawing, design or specification supplied by the Buyer;

12.6.2 the Seller shall be under no liability in respect of any defect arising from fair wear and tear, wilful damage, negligence, abnormal working conditions, failure to follow the Seller's instructions (whether oral or in writing), misuse or alteration or repair of the goods without the Seller's approval; and

12.6.3 in no event shall the Buyer be entitled to reject the goods on the basis of any defect or failure which is so slight that it would be unreasonable for him to reject them.

12.7 Subject as expressly provided in these Conditions, and except where the goods are sold to a person dealing as a Consumer, all warranties, conditions or other terms implied by statute or common law are excluded to the fullest extent permitted by law. Except as expressly provided in these Conditions, the Seller shall have no liability to the Buyer (whether arising under contract, tort (including negligence), breach of statutory duty or otherwise) in excess of the price of the goods and shall have no liability for any loss of profit, loss opportunity, loss of sales or loss of goodwill, costs, expenses (in each case whether direct or indirect) or for any indirect, special or consequential loss or damage or other claims for compensation whatsoever which arise out of or in connection with the supply of goods or their use or resale by the Buyer.

12.8 Nothing in these Conditions shall limit or exclude the Seller's liability for death or personal injury, any fraud or for any other liability which it is not permitted to limit or exclude by operation of law.

12.9 The parties agree that in all the circumstances of the Contract that the limitations of liability in this Condition 12 are fair and reasonable taking into account the price payable by the Buyer and the relative abilities of the parties to insure against the potential losses that may arise.

13. TRADEMARKS, PATENTS AND OTHER INDUSTRIAL RIGHTS

13.1 If any claim is made against the Buyer alleging that the Goods or the Service infringe any patent rights, registered designs, copyright or other industrial property rights of another then: (i) the Buyer shall forthwith notify the Seller with full particulars; and (ii) the Seller or its suppliers or licensors (as the case may be) shall be at liberty at their expense to conduct all negotiations and/or litigation in respect thereof and (if necessary) in the name of the Buyer; and (iii) except pursuant to a final award, the Buyer shall not pay or accept any such claim or compromise any proceedings without the consent of the Seller (which shall not be unreasonably withheld or delayed); and if as a result of such negotiations or litigation the Buyer shall be unable to use the goods substantially for the purpose for which they were bought the Seller shall take them back and refund the price thereof and such refund shall be in full satisfaction of all claims by the Buyer against the Seller.

13.2 The Buyer shall indemnify the Seller against all actions, costs (including cost of defending legal proceedings), claims, proceedings and demands in respect of any infringement or alleged infringement by the Seller of patent rights, registered design, copyright, design rights or other industrial rights attributed to the Seller complying with any special instructions from or requirements of the Buyer relating to the Goods or the Service.

13.3 The Buyer shall not represent to its customers that it sells products manufactured by the Seller after the Buyer shall have ceased to purchase such products on a regular basis from the Seller and in such event the Buyer shall return to the Seller all sales literature relating to products manufactured by the Seller.

14. TERMINATION

14.1 The Seller shall be entitled to terminate any Contract with immediate effect:

14.1.1 should the Buyer materially breach any provision of the Contract;

14.1.2 should the Buyer be late in making any payment due under the Contract; or

14.1.3 for convenience at any time prior to the delivery of the Goods to the customer, in which instance the Seller shall as its only obligation or liability following such termination, refund to the Buyer any advance sums paid with respect to the relevant Goods that were the subject of the Contract.

15. INSOLVENCY

15.1 The Seller shall be entitled to cancel the contract in whole or in part by giving written notice to the Buyer, without prejudice to any other right or remedy available to the Seller if the Buyer is subject to any of the following:

15.1.1 if any encumbrancer takes possession of or a receiver, administrative receiver or similar officer is appointed over any of the property or assets of the other party; or

15.1.2 if the other party makes any voluntary arrangement, composition, compromise or arrangement with its creditors; or

15.1.3 if the other party enters into any restructuring plan, composition, compromise or other arrangement with its creditors or members the purpose of which is to eliminate, reduce, prevent or mitigate the effect of any financial difficulties; or

15.1.4 if the other party has an administrator, liquidator, nominee, supervisor, monitor or similar officer appointed; or

15.1.5 has an order made or resolution passed for its winding-up, dissolution, administration or reorganisation (except for the purpose of amalgamation or reconstruction not involving insolvency where the resulting entity agrees to be bound by or assumes the obligations imposed on the other party); or

15.1.6 any document is filed at court initiating or applying for a moratorium or order is made for a moratorium to come into force; or

15.1.7 anything analogous to any of these events under the law of any jurisdiction occurs in relation to the other party; or

15.1.8 if the other party ceases or threatens to cease to carry on business.

15.2 The Buyer shall immediately notify the Seller in writing if:

15.2.1 there is any change in the ownership, management or control of the Buyer;

15.2.2 there is any sale or transfer of a material part of the Buyer's business or assets;

15.2.3 the Buyer, being a sole trader, entering into partnership with others; or

15.2.4 the Buyer, being a sole trader or a partnership, becomes incorporated or amalgamated with others.

15.3 If any of the events listed at Condition 15.1 occur any credit facilities granted by the Seller shall automatically terminate and the balance of such account shall become immediately payable in full. The Seller will consider at its discretion a renewal of or adjustment to the credit facility taking into account the legitimate commercial interests of the Buyer and Seller.

15.4 Should the Buyer fail to notify the Seller of the occurrence of any of the events listed in Conditions

15.1.1 to 15.1.8 above the Buyer shall be jointly and severally liable to pay all sums due to the Seller in respect of goods and/or services supplied to the changed entity until the date that written notice is received by the Seller.

15.5 The Buyer shall be jointly and severally liable for all sums due to the Seller in respect of goods and/or services supplied to any individual, partnership or other legal entity that makes use of the customer's credit account facility.

15.6 The Seller may (without prejudice to its other rights or remedies) terminate or suspend the Seller's performance of the whole or any outstanding part of the Contract if the Buyer fails to take delivery of or to pay for the goods on the date required or breaches any other term of the Contract, or if the Buyer is late in payment or performance under or otherwise breaches any other contract for the sale and purchase of goods or services between the Buyer and the Seller. The Seller may also suspend deliveries while investigating any claim relating to prior deliveries (under any contract) of goods.

16. FORCE MAJEURE

The Seller shall be under no liability for any failure, delay or hindrance in the performance of any of its obligations under the contract if and to the extent that the failure is caused by a force majeure event. A force majeure event includes but is not limited to, an act of God, terrorism, war, riot, extreme adverse weather conditions, fires, governmental restriction, condition or control, epidemic, pandemic or by reason of any act done or not done pursuant to a trade dispute, shortages of labour or materials or breakdown of machinery or any other matter (whether or not similar to the foregoing) outside the control of the Seller.

17. SPECIALS AND FREE ISSUE MATERIALS

17.1 The Seller does not guarantee the suitability of materials or the design of goods made specially to the Buyer's requirements and differing from the Seller's standard specifications even if the purpose for which the goods are required is known to the Seller.

17.2 The Seller does not accept responsibility for the safe-keeping and condition of the Buyer's samples, drawings, tools and the like whilst they are in the Seller's possession whatever the circumstances may be in which they are lost, broken or damaged and the Buyer should make its own arrangements to insure these items.

18. ATTENDANCE ON SITE

If the Seller attends, or arranges for an attendance to be made, at the Buyer's premises or the premises of any third party for any reason connected with the contract, the Buyer shall indemnify the Seller in respect of all claims made or proceedings taken against the Seller (and associated legal costs incurred by the Seller) by any person, firm or company, including employees of the Seller, or of the Buyer or of any contractor employed by the Buyer (or their personal representatives), whether in respect of death, personal injury or damage to property arising directly or indirectly from the attendance at such premises.

19. AGE REQUIREMENTS FOR SPECIFIC GOODS

Where the Buyer places an order for age-restricted goods such as solvents or knives, the buyer confirms that they are over the age of 18 and that delivery will be received by a person over the age of 18.

20. DISPOSAL OF ELECTRICAL AND ELECTRONIC EQUIPMENT

The WEEE regulations exist to ensure that disposal of certain electrical and electronics items is carried out in a sound environmental manner. All Buyers agree that they will be responsible for collection and disposal of any electrical and electronic equipment procured from the Seller.

21. GENERAL

21.1 The Seller is a trading division of Heywood Williams Components Limited, itself a member of the group of companies whose holding company is Arran Isle Ltd., and accordingly the Seller may perform any of its obligations or exercise any of its rights by itself or through any other member of its group, provided that any act or omission of any such member shall be deemed to be the act or omission of the Seller.

21.2 Any notice given hereunder must be in writing and may be affected by personal delivery, facsimile transmission, email (to finance@windowware.co.uk) or by registered mail postage and (subject, in each case to proof that such notice was properly addressed and dispatched) if effected by facsimile transmission or email shall be deemed to be received on the day of sending and if effected by post shall be deemed to be received 48 hours after the date of posting.

21.3 The Contract shall be personal to the Buyer and shall not, nor shall any rights under it, be assigned by the Buyer without the written consent of the Seller. The Seller shall be entitled to sub-contract the whole or part of its obligations under the Contract and to assign its interest in the Contract.

21.4 No waiver by the Seller of any breach of the Contract by the Buyer shall be considered as a waiver of any subsequent breach of the same or any other provision.

21.5 A person who is not a party to the Contract (a "third party") shall have no rights pursuant to the Contracts (Rights of Third Parties) Act 1999 (the "Act") to enforce any of these Conditions. Any right or remedy of a third party which exists or is available apart from the Act is not affected.

21.6 The parties agree that any disputes arising or in any way connected with the subject matter of a Contract (or these Conditions) (whether of a contractual or tortious nature or otherwise) shall be subject to the laws of England and in the case of proceedings issued against the Seller shall be subject to the jurisdiction of the English courts only.

21.7 If any provision of the Contract (or these Conditions) is held by any competent authority to be invalid or unenforceable in whole or in part the validity of the other provisions of the Contract (or these Conditions) and the remainder of the provision in question shall not be affected thereby.

21.8 We will make a search and/or enquiry with credit reference agencies ("CRAs"), who will give us information about you, such as about your financial history, and who will keep a record of that search and will share that information with other businesses. We will do this to assess creditworthiness, check your identity, manage your account, trace and recover debts and prevent criminal activity. We will monitor and record information relating to your trade performance and will also continue to exchange information about you with CRAs on an ongoing basis, including about your settled accounts and any debts not fully repaid on time. CRAs will share this information with other organisations. For Credit Circle members, we will record information relating to your trade credit performance and such records will be made available to other organisations to access applications for credit.

21.9 To the extent any personal data is collected or processed under or in connection with these conditions, such personal data shall be collected or processed in accordance with applicable law and the Seller's privacy policy (and where applicable cookies policy) located at www.windowware.co.uk

22. TERMS APPLYING TO CONSUMERS ONLY

22.1 PLEASE NOTE THAT THIS SECTION ONLY APPLIES WHEN THE BUYER IS ENTERING THE CONTRACT AS A CONSUMER

22.2 Where the Buyer is a Consumer, the following Conditions shall not apply:

22.2.1 Conditions 3.1 - 3.3;

22.2.2 Condition 6.3;

22.2.3 Condition 6.4;

22.2.4 Condition 11.1.1 - 11.1.6

22.2.5 Condition 12;

22.2.6 Condition 13.3;

22.2.7 Conditions 15.2 - 15.5; and

22.2.8 any indemnities given by the Buyer under these Conditions.

22.3 The goods shall remain the sole and absolute property of the Seller as legal and equitable owner until such time as all sums due to the Seller from the Buyer, have been paid in full.

22.4 Should any defect occur in the Goods, other than one for which the Buyer is responsible, the Seller will at their option either, replace or repair the Goods (at no charge to the Buyer) as soon as is reasonably practicable.

22.5 Following receipt of the Goods, the Buyer can cancel their order by notifying the Seller within 14 days of the date on which the Goods were delivered. The Buyer can return the Goods for a refund. If the Buyer's purchase order comprises of more than one item, the Buyer can cancel and return any of the items individually or in combination.

22.6 Where the Buyer cancels their order after the Goods have been delivered or collected the Buyer agrees to return the Goods to the Seller by following the procedure set out below.

22.7 The Buyer agrees to return the Goods in full, in a resalable condition and securely packaged (properly repacked in their original packaging if they were removed from it) and unused. The Buyer is responsible for all costs of returning the Goods subject to the exceptions set out below.

22.8 Nothing within these Conditions affects the Buyer's rights under law, and in particular the Buyer will always be entitled to return products to the Seller for a full refund if they were misdescribed, or are not of satisfactory quality or reasonably fit for their purpose and the Seller cannot remedy the fault to the Buyer's reasonable satisfaction. Only in such circumstances and/or if the Seller provides the Buyer with substitute products which the Buyer does not want will the Seller refund the Buyer's reasonable costs to return the products to the Seller.

22.9 If the Goods are damaged whilst in the Buyer's care (including damage caused in assembling or disassembling the Goods), if the Buyer fails to return all parts of the Goods or otherwise if the Buyer's failure to take reasonable care of the Goods means that the Seller reasonably believes that a resale will not be possible, the Buyer agrees that the Seller may withhold payment of all or part of the refund in respect of the Goods as compensation for the Seller's loss on these Goods.

22.10 The Seller will make all refunds to the card used for payment.

22.11 The Seller shall not have liability to the Buyer for:

22.11.1 losses that were not foreseeable to either the Seller or the Buyer when the Contract was formed;

22.11.2 losses not caused by any breach of these Conditions by the Seller; or

22.11.3 any losses suffered by a non-Consumer.

...END

www.windowware.co.uk

T: 01234 242724 | E: sales@windowware.co.uk

