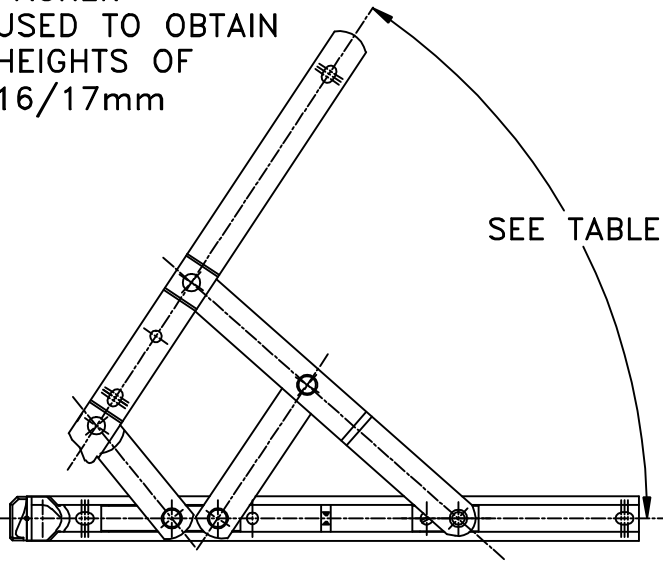


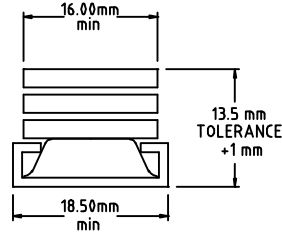
ISSUE	E.C.N.	DATE	MOD. BY.
7	6215	8.06.04	B.J.B

PACKER  
USED TO OBTAIN  
HEIGHTS OF  
16/17mm



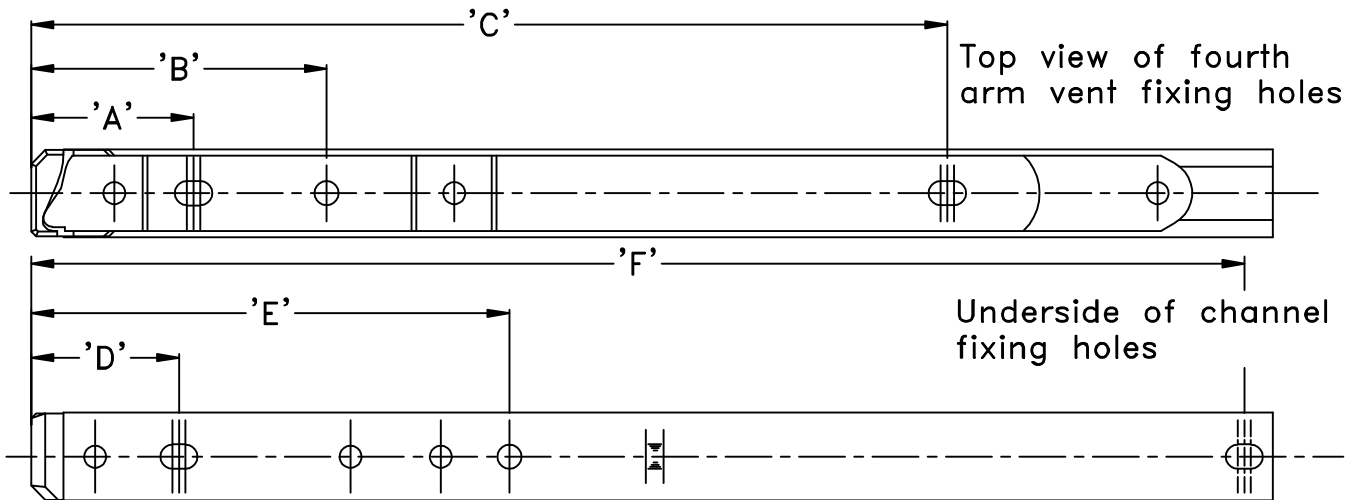
## SP254 SIDE HUNG FRICTION STAYS

MIN/MAX WORKING  
CLEARANCE.



EXAMPLE :  
13.5 mm STACK  
MIN. 13.5 mm  
MAX. 14.5 mm

When applied to a 1200mm X 600mm (Rebate Size) casement window, the SP254 side hung friction stay allows a full clear opening in excess of 500mm wide X 850mm high. When fitting the SP254 please observe BS8213 Part 1: 1991. Code of Practice for safety in use and during cleaning of windows.



### FIXING HOLE DETAILS

	STACK HEIGHT	SIZE	A	B	C	D	E	F
SP254	13.5 & 16/17mm	10"	34.7	62.1	192.4	31.0	100.5	254.8

### RECOMMENDED MAX. WINDOW WEIGHTS & SIZES

SP254	SIZE INS. MM.	WINDOW WIDTH	WINDOW HEIGHT	APPROX. HEIGHT	WEIGHT Kg.	APPROX. Lbs.	OPENING ANGLE
	10   254	600	1200	16	35	80°	

PLEASE NOTE THAT A WINDOW WEIGHT OF 21Kg  
CAN BE ACHIEVED IF A VENT RISER IS USED.

QCF177/0

IT IS THE RESPONSIBILITY OF THE WINDOW MANUFACTURER  
TO ENSURE THAT THE FINISHED WINDOWS MEET ANY  
REQUIRED SAFETY AND PERFORMANCE SPECIFICATIONS.

Designed by  
B.P.M

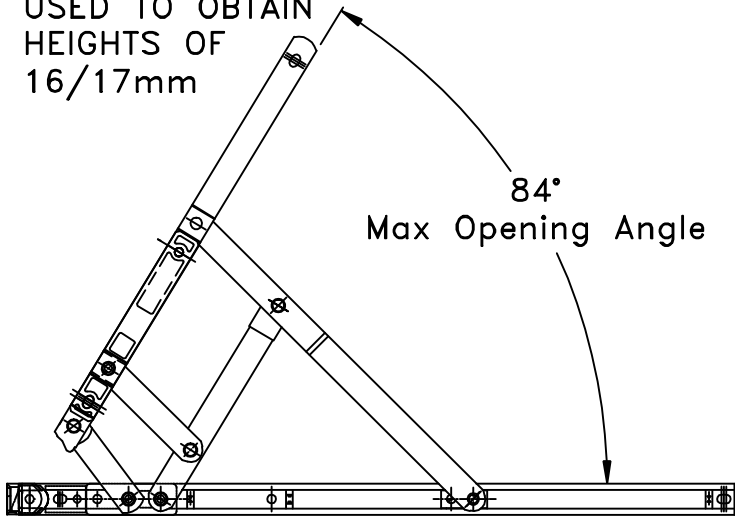
Date  
18.05.01

Filename.  
80000568.DWG

DRG No.  
80000568

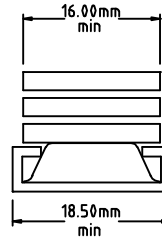
ISSUE	E.C.N.	DATE	MOD. BY.
9	6215	8.06.04	B.J.B
10	6339	11.07.05	B.J.B

PACKER  
USED TO OBTAIN  
HEIGHTS OF  
16/17mm



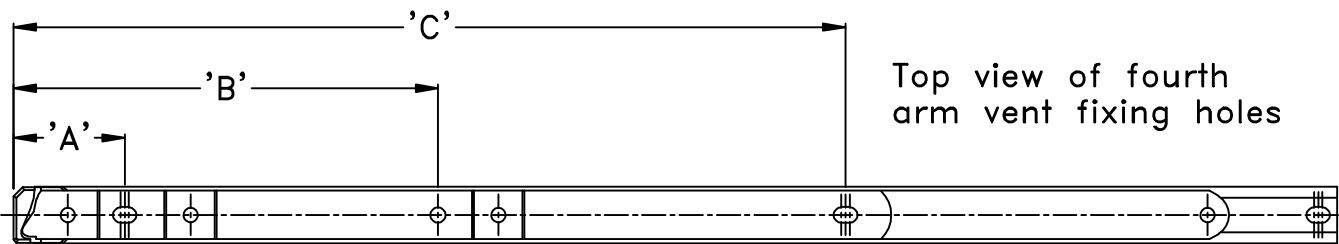
## SP316 SIDE HUNG FRICTION STAYS

MIN/MAX WORKING  
CLEARANCE.

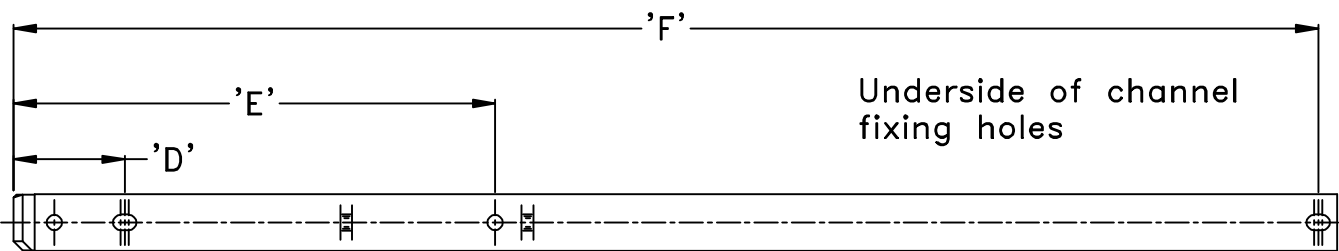


EXAMPLE :  
13.5 mm STACK  
MIN. 13.5 mm  
MAX. 14.5 mm

When applied to a 1200mm X 600mm (Rebate Size) casement window, the SP316 side hung friction stay allows a full clear opening in excess of 500mm wide X 850mm high. When fitting the SP316 please observe BS8213 Part 1: 1991. Code of Practice for safety in use and during cleaning of windows.



Top view of fourth  
arm vent fixing holes



Underside of channel  
fixing holes

### FIXING HOLE DETAILS

	STACK HEIGHT	SIZE	A	B	C	D	E	F
SP316	13.5 & 16/17mm	16"	34.5	137.5	271.4	36.3	157.3	407.1

### RECOMMENDED MAX. WINDOW WEIGHTS & SIZES

SP316	SIZE		WINDOW SIZE APPROX. WIDTH	WINDOW SIZE APPROX. HEIGHT	WEIGHT Kg.	APPROX. Lbs.	OPENING ANGLE
	INS.	MM.					
	16	406	600	1200	21	46	84°

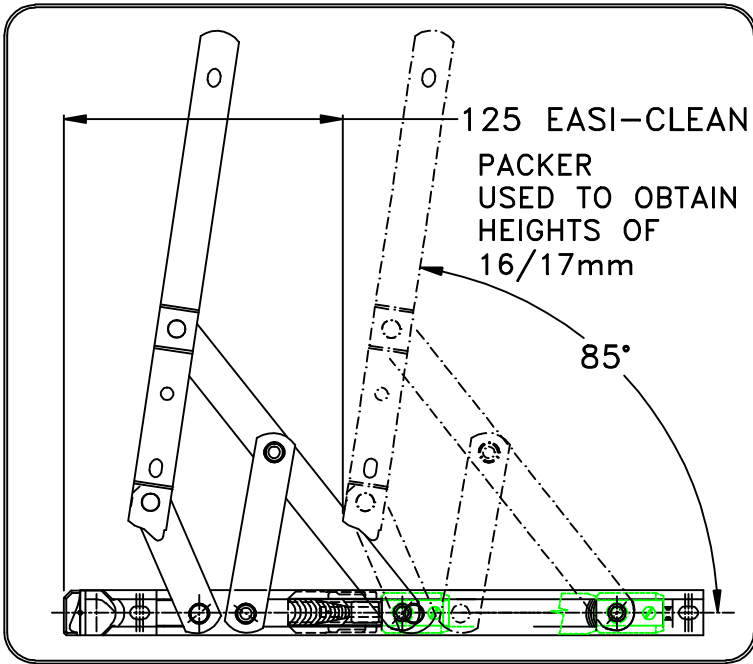
QCF177/0

IT IS THE RESPONSIBILITY OF THE WINDOW MANUFACTURER  
TO ENSURE THAT THE FINISHED WINDOWS MEET ANY  
REQUIRED SAFETY AND PERFORMANCE SPECIFICATIONS.

Designed by.  
B.P.M  
Date  
18.05.01

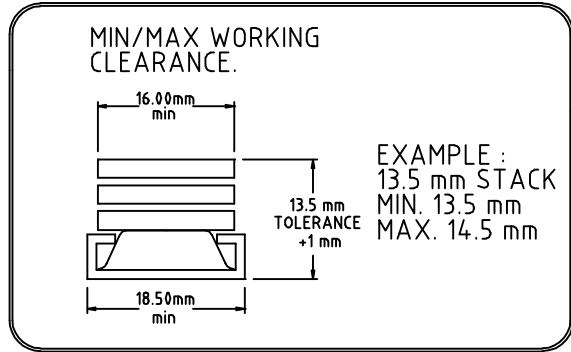
Filename.  
80000384.DWG  
DRG No.  
80000384

ISSUE	E.C.N.	DATE	MOD. BY.
1	6138	15.10.03	B.J.B
2	6294	7.02.05	B.J.B

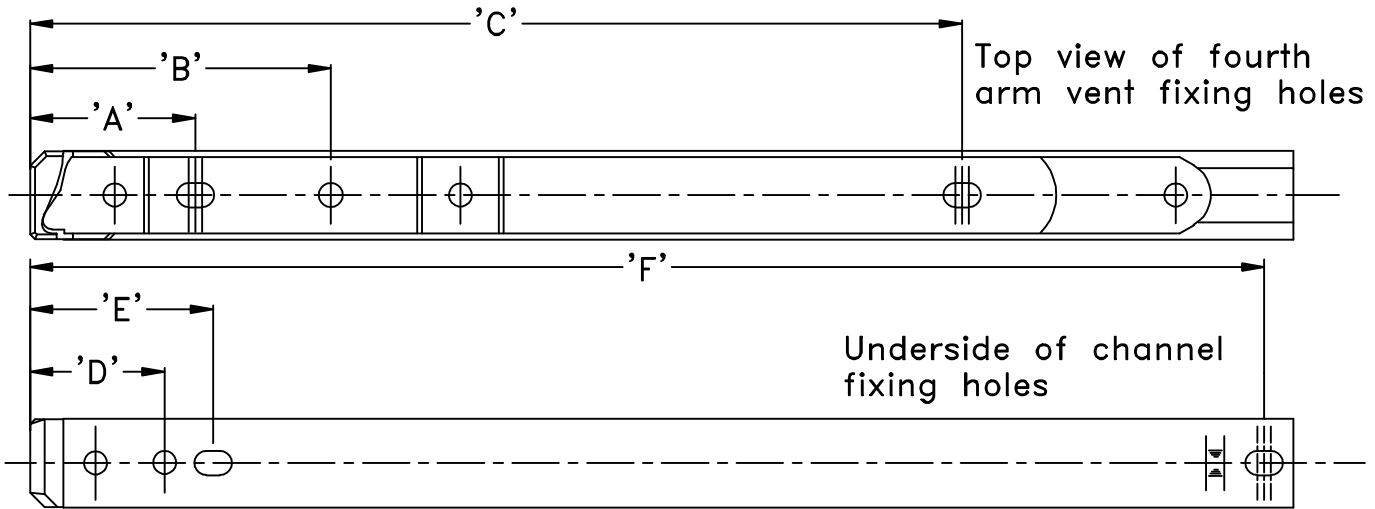


## SP312EZ

### SIDE HUNG FRICTION STAYS



When applied to a 600mm X 1200mm (Rebate Size) casement window, the SP12EZ side hung friction stay allows a full clear opening in excess of 500mm wide X 850mm high. When fitting the SP312EZ please observe BS8213 Part 1: 1991. Code of Practice for safety in use and during cleaning of windows.



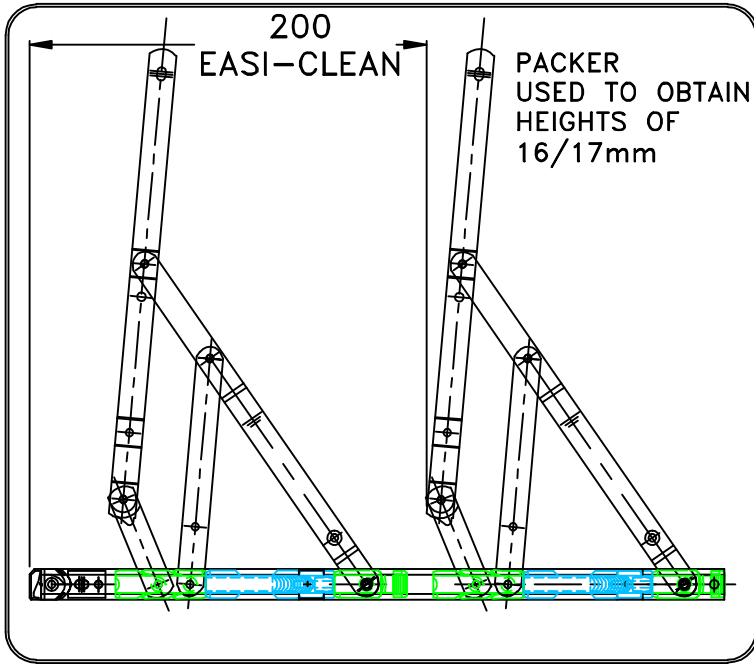
FIXING HOLE DETAILS								
	STACK HEIGHT	SIZE	A	B	C	D	E	F
SP312EZ	13.5 & 16/17mm	12"	34.2	61.8	208.3	31.4	41.4	305.7

RECOMMENDED MAX. WINDOW WEIGHTS & SIZES						
SP312EZ	SIZE INS. MM.	WINDOW SIZE WIDTH	APPROX. HEIGHT	WEIGHT Kg.	APPROX. Lbs.	OPENING ANGLE
	12 311	600	1200	18	40	85°

PLEASE NOTE THAT A WINDOW WEIGHT OF 21Kg CAN BE ACHIEVED IF A VENT RISER IS USED.

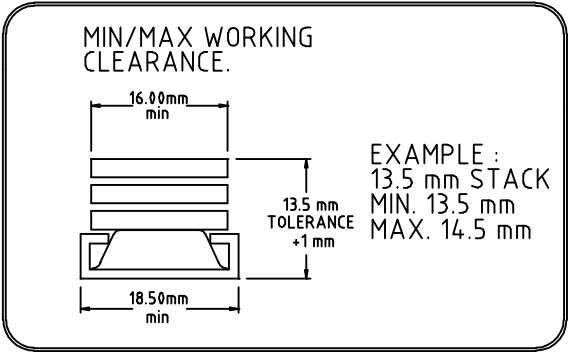
QCF177/0	IT IS THE RESPONSIBILITY OF THE WINDOW MANUFACTURER TO ENSURE THAT THE FINISHED WINDOWS MEET ANY REQUIRED SAFETY AND PERFORMANCE SPECIFICATIONS.	Designed by. B.J.B	Filename. 80001290.DWG
		Date 22.08.03	DRG No. 80001290

ISSUE	E.C.N.	DATE	MOD. BY.
5	6331	14.06.05	B.J.B

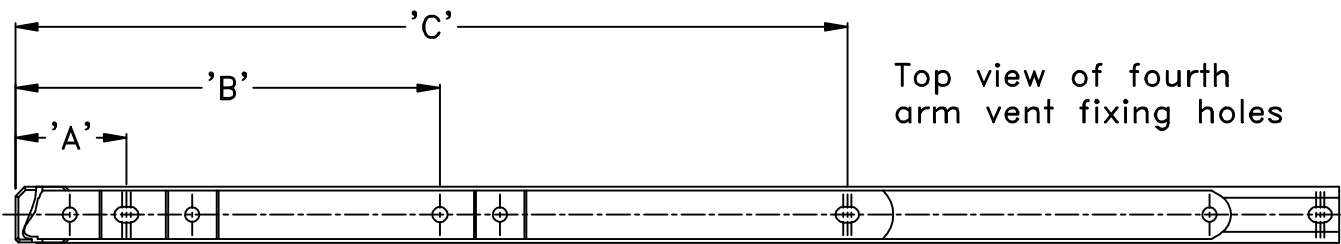


## SP316 EZ 16

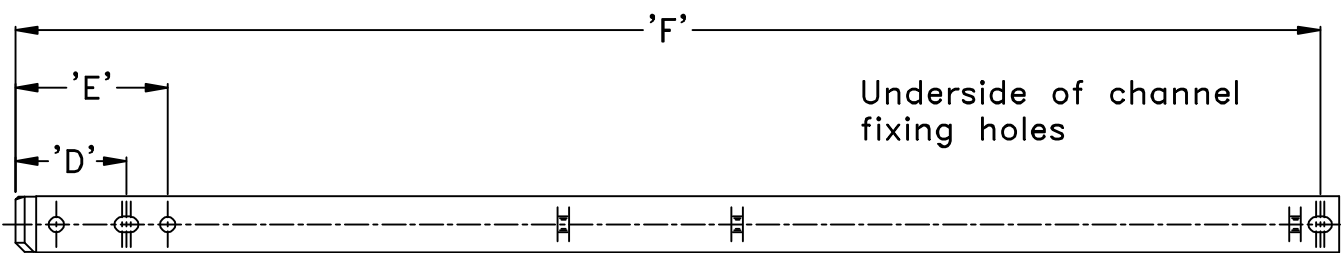
### SIDE HUNG FRICTION STAYS



When applied to a 600mm X 1200mm (Rebate Size) casement window, the SP316EZ side hung friction stay allows a full clear opening in excess of 500mm wide . When fitting the SP316 EZ please observe BS8213 Part 1: 1991. Code of Practice for safety in use and during cleaning of windows.



Top view of fourth arm vent fixing holes



Underside of channel fixing holes

FIXING HOLE DETAILS								
	STACK HEIGHT	SIZE	A	B	C	D	E	F
SP316EZ	13.5 & 16/17mm	16"	34.4	138.4	271.4	31.3	41.3	407.2

RECOMMENDED MAX. WINDOW WEIGHTS & SIZES							
SP316 EZ	SIZE		WINDOW SIZE APPROX. WIDTH	WINDOW SIZE APPROX. HEIGHT	WEIGHT Kg.	APPROX. Lbs.	OPENING ANGLE
	INS.	MM.					
	16	413	600	1200	21	46	89°

QCF177/0

IT IS THE RESPONSIBILITY OF THE WINDOW MANUFACTURER TO ENSURE THAT THE FINISHED WINDOWS MEET ANY REQUIRED SAFETY AND PERFORMANCE SPECIFICATIONS.

Designed by:  
B.J.B  
Date  
24.01.03

Filename:  
80001237.DWG  
DRG No.  
80001237