

paddock

The WELSEAL LETTERBOX has a robust ABS moulded frame set with INTERNAL and EXTERNALLY SPRUNG FLAPS. The external Flap having been Designed to be opened to approx 147°, giving a generous and clear access to the sleeve aperture for the posting of mail.

The method of springing the flaps, torsion bars, having successfully achieved a 40,000 cycle endurance test opening to 140°.

This would equate to four times a day use over a 27 year period.

SLEEVE APPERTURE

(NOMINAL 216mm x 38mm).

A secondary internal nylon brush seal has been introduced to reduce air filtration when in use.

The STANDARD ABS Sleeve set is 40/40 and would cover door thickness 38 to 78mm. Other sizes are listed within the Technical Data.

Technical Data

WELSEAL[®] 10" LETTERBOX

OPTION1 (40-40 Sleeves)
Suitable for a door
thickness of 38 - 78mm

(Door Midrails)

OPTION2 (20-20 Sleeves)
Suitable for a door
thickness of 18-38mm

(Door Panels)

FIXING

Can be face fixed or thro' fixing with the twin start fixing screws supplied.

FLAP FINISH

Gold (Polished)
Gold (Anodised)
Gold (Etched Bright) (F3)
Silver (SAA)
Powder Coated White and Black

CONSTRUCTION

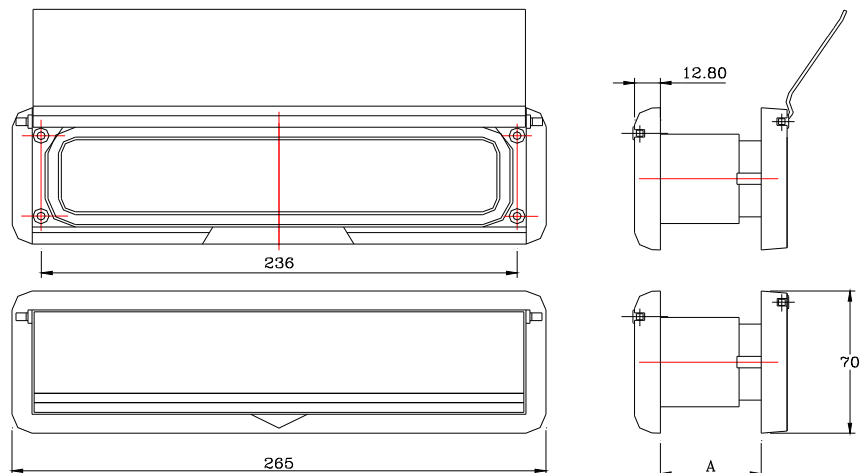
Frame in prime ABS
Extruded Aluminium Flap
in 6030 Alloy

PRODUCT BOXED IN 25's



FEATURES

- * TAKES FULL A4 SIZE MAIL.
- * FRAME AVAILABLE IN BLACK OR WHITE.
- * EXTERNAL WEATHER SEAL (INTERNAL DRAUGHT SEAL)
- * VARIABLE FLAP FINISHES
- * 2 STANDARD SLEEVE SETS AVAILABLE
- * A 10" PATIO DOOR VERSION LETTERBOX IS AVAILABLE WITH A FLUSH INTERNAL COWL IN WHITE OR BLACK PLASTIC.(NO FLAP).
- * THE LETTERBOX IS COVERED BY A 10 YEAR WARRANTY THAT COVERS UV STABILITY AND MECHANICAL FAILURE.(Subject to W.E.L. conditions).



NOMINAL APPERTURE 216mm x 38mm
SLEEVE SET 'A' = 40/40 AND 20/20