

# TS007 3★ Platinum Cylinders



**WINDOW  
WARE**

*We've got it*

The Yale Platinum 3★ Euro Profile cylinder has been independently tested by The British Standards Institution and awarded the BSI BSI Kitemark TS007:2014 3★ accreditation. That makes this cylinder the perfect choice for professionals in need of a proven, high-security solution capable of providing maximum defence against common methods of cylinder attack.

## Details:

- Anti-snap, sacrificial front section
- Anti-pick, anti-bump, anti-screw, anti-pull and anti-drill
- Superior strength with cylinder stability system for superior protection
- Horizontal keyway
- Flat reversible dimple key with new stylish nylon key bow
- Key card for easy code identification and key duplication
- Available in standard key/key, thumb turn and keyed alike in pairs. Brass and Nickel finishes
- TS007 2014 3★ approved
- BSEN1303:2005 approved
- KM559658



**Anti-Snap**  
A small section of the cylinder is sacrificed under attack, leaving the remainder of the cylinder intact and your door safely locked.

**Anti-Bump**  
Specialised side pins provide bump resistance.

**Anti-Pick**  
Unique multi shear-line technology designed to resist lock picking and bumping.

**Horizontal Keyway**  
With reversible flat key for easy key entry.

**Inner Strength**  
The dedicated central bridge delivers unparalleled inner strength to the cylinder providing protection even if the cylinder is attacked from the outside.

**Anti-Drill**  
Hardened steel protection incorporated within the cylinder provides undeniable resistance against drill attacks.

**Certified**  
Approved to TS007:2014 3 star - the highest current certified level.  
BSI accredited to KM559658  
Tested to BSEN1303:2005

# TS007 3★ Platinum Cylinders

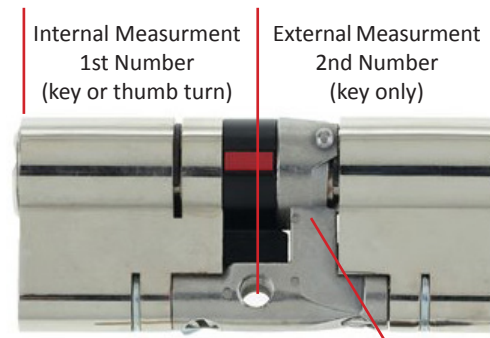


## Ordering & Finish Details

SIZE mm	NICKEL	BRASS	BOX QTY.
<b>TS007 3★ Profile Cylinders</b>			
35/35	CYL935351	CYL935353	20
40/40	CYL940401	CYL940403	20
40/50	CYL940501	CYL940503	20
45/45	CYL945451	CYL945453	20
45/50	CYL945501	CYL945503	20
45/55	CYL945551	CYL945553	20
50/40	CYL950401	CYL950403	20
50/45	CYL950451	CYL950453	20
50/50	CYL950501	CYL950503	20
55/45	CYL955451	CYL955453	20
<b>TS003 3★ Thumb Turn Profile Cylinders</b>			
35/35	CYL935352	CYL935354	20
40/50	CYL940502	CYL940504	20
45/50	CYL945502	CYL945504	20
45/55	CYL945552	CYL945554	20
50/40	CYL950402	CYL950404	20
50/45	CYL950452	CYL950454	20
50/50	CYL950502	CYL950504	20
55/45	CYL955452	CYL955454	20
<b>TS007 3★ Key/Key Keyed-Alike Profile Cylinders</b>			
35/35	CYP935351	CYP935353	10 Pairs
40/50	CYP940501	CYP940503	10 Pairs
45/50	CYP945501	CYP945503	10 Pairs
50/40	CYP950401	CYP950403	10 Pairs
50/45	CYP950451	CYP950453	10 Pairs
50/50	CYP950501	CYP950503	10 Pairs
55/45	CYP955451	CYP955453	10 Pairs



Please Note: 'SIZE mm' column, the internal measurement is the 1st number, the external measurement is the 2nd number, ie. 40/50 = 40 internal / 50 external



Anti-Snap element this should only be on the external side



### TS007:2014

TS007 is a standard developed in response to concerns over cylinder attacks. The standard is characterised by a 3★ rating system and can be achieved by combining a 1★ cylinder with 2★ security door furniture or by using a standalone 3★ cylinder. The Platinum series cylinder is approved to TS007 3 stars and does not require any additional security furniture.

### Maintenance and care of your Yale cylinder

Yale recommend regular lubrication of your Yale cylinder locks to ensure continuous trouble-free performance and operation.

For this we recommend using a PTFE-based lubricant. A small amount of lubricant should be applied to the key and then inserted into the cylinder. Rotate the key a couple of times in line with the normal locking function. Remove the key from the cylinder and wipe away any remaining lubricant to ensure it isn't transferred onto other objects.