

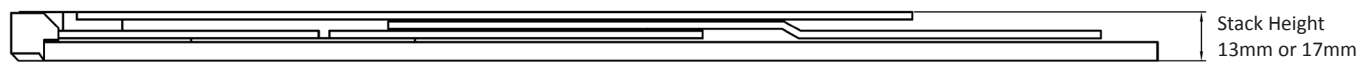
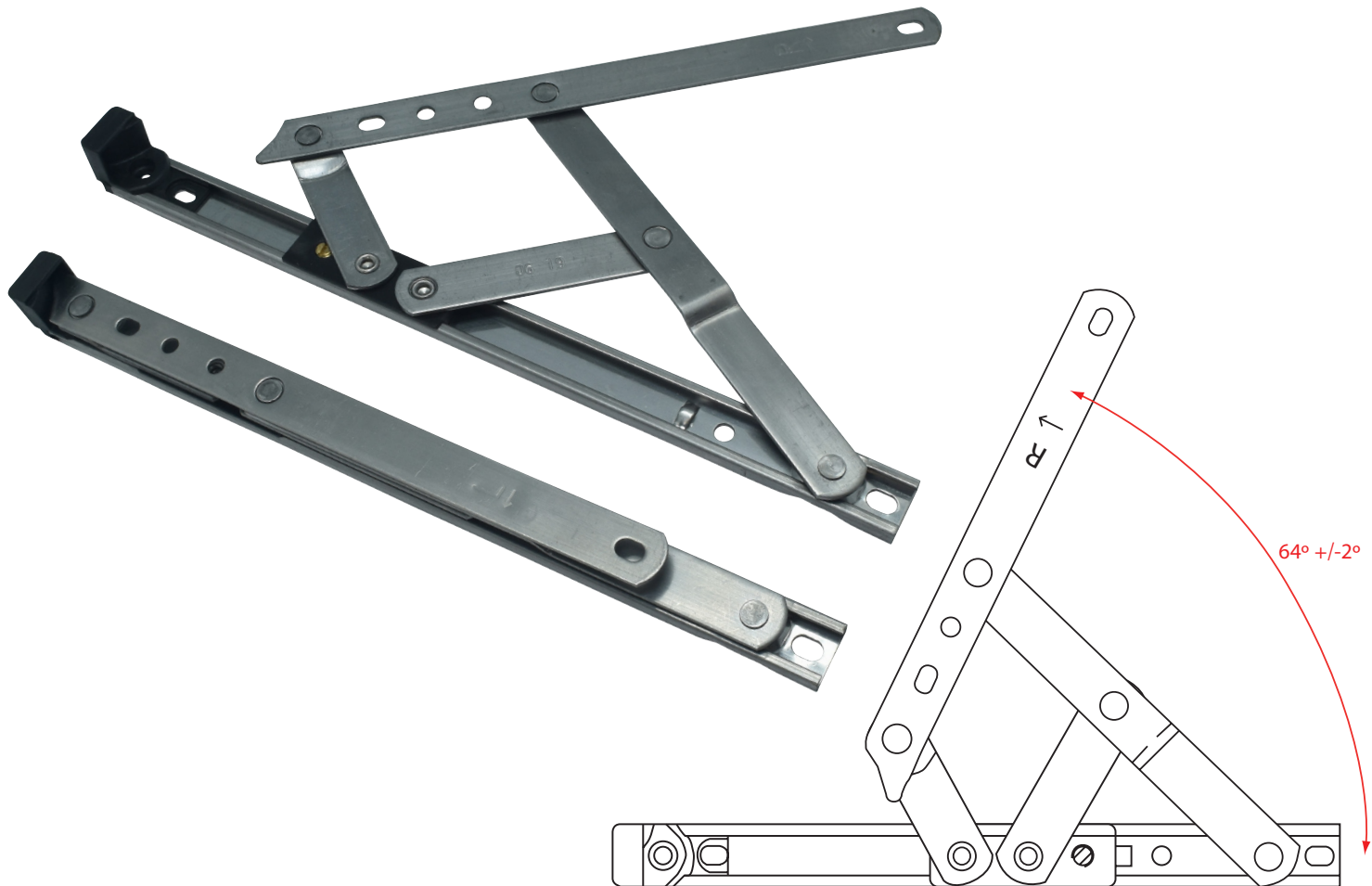
KORE Standard Friction Hinge



- Available in Restricted, Egress and Egress Easy Clean versions
- Standard range available in Top hung 8,10,12,16, 20 & 24" & Side hung 12 & 16"
- 18mm track width
- 13mm or 17mm Stack Height

Guarantees & certifications

- All hinges achieved BS6375-2 and all hinges tested to Class 2 - 10,000 cycles
- Manufactured from 430 Grade Stainless Steel



Order Information

TYPE	SIZE	WEIGHT	MAX VENT		OPENING ANGLE	STACK HEIGHT		BOX QTY.
			WIDTH	HEIGHT		13mm	17mm	
Top Hung	8 inch	10kg	1200mm	300mm	64°	HIN51208	HIN51408	25 Pairs
Top Hung	10 inch	16kg	1200mm	450mm	88°	HIN51210	HIN51410	25 Pairs
Top Hung	12 inch	21kg	1200mm	600mm	88°	HIN51212	HIN51412	25 Pairs
Top Hung	16 inch	22kg	1200mm	750mm	84°	HIN51216	HIN51416	25 Pairs
Top Hung	20 inch	24kg	1200mm	900mm	42°	HIN51220	HIN51420	25 Pairs
Top Hung	24 inch	50kg	1200mm	1500mm	38°	HIN51224	HIN51424	25 Pairs
Side Hung	12 inch	18kg	650mm	1250mm	87°	HIN52212	HIN52412	25 Pairs
Side Hung	16 inch	24kg	700mm	1300mm	84°	HIN52216	HIN52416	25 Pairs