

Supa™ V-shaped Stainless Steel Pull Bar Door Handle

SUPA™

Stainless Steel

PRODUCT INFORMATION



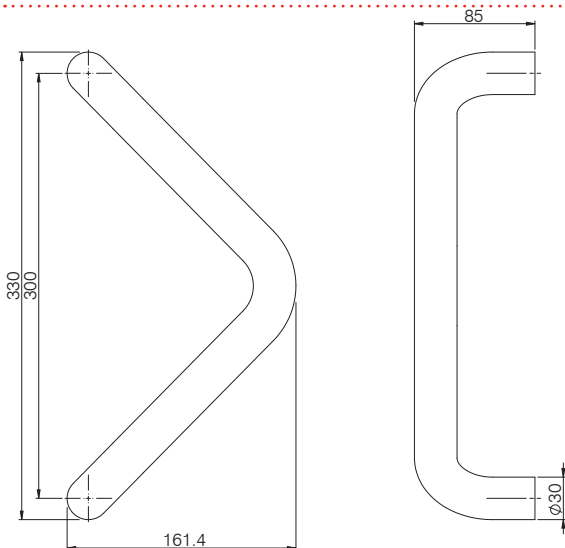
Looking for an eye-catching yet durable pull handle for a door? This stylish stainless steel v-shaped pull handle from the Mila Supa™ range is robust enough to work on both interior and exterior entrances, adding class and more 'grasp' to any composite, aluminium and timber door.

- Softly-curved V-shaped pull door handle to enhance all types of doors
- Brushed stainless steel finish won't show fingerprints
- Suits both left- and right-handed doors
- Handle can be fitted two different ways with the Supa™ fixing kits (sold separately)
- Choose from through fix or back-to-back inline fix
- Constructed from high-quality 304 grade stainless steel for unbeatable corrosion resistance
- Bar length 330mm

How many fixing kits do you need?

The fixing kits for the Supa™ stainless steel door pull handle range come in pairs. For the V-shaped Pull Bar door handle you'll need 1 pair.

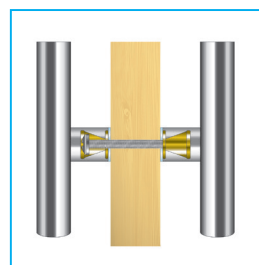
TECHNICAL DRAWINGS



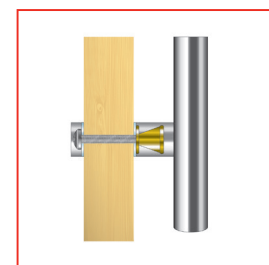
GUARANTEES



2 FIXING OPTIONS



Back-to-back Inline Fix
MPH573310



Through Fix
MPH573302

PART NUMBERS

Description	Shape	Stainless Steel Grade	Cover Cap dia	Bar Length	Fixings	Brushed Stainless
Supa Pull Bar	V-shaped	304	-	330mm	2	MPH573212
Through Fix Kit	-	-	30mm	-	2 per kit	MPH573302
Back-to-back Inline Fix Kit	-	-	30mm	-	2 per kit	MPH573310