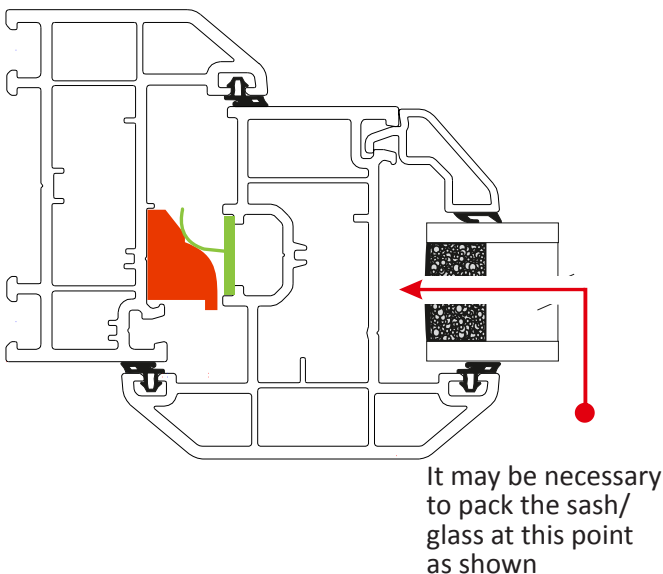
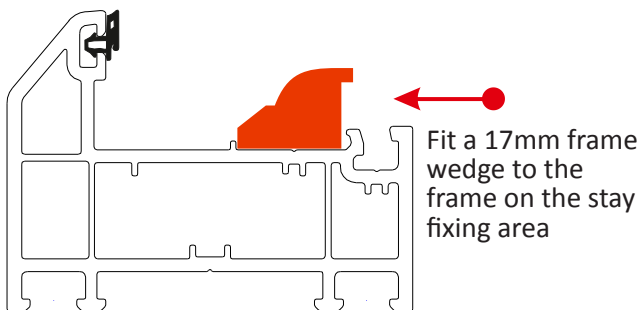
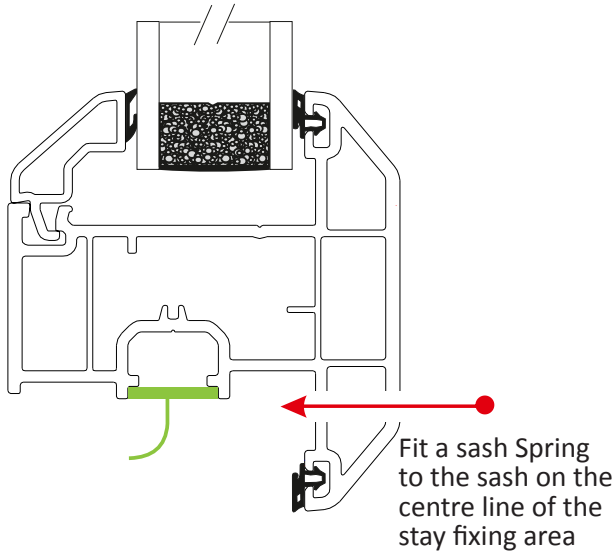


Prevents Sash Bow And Leaks

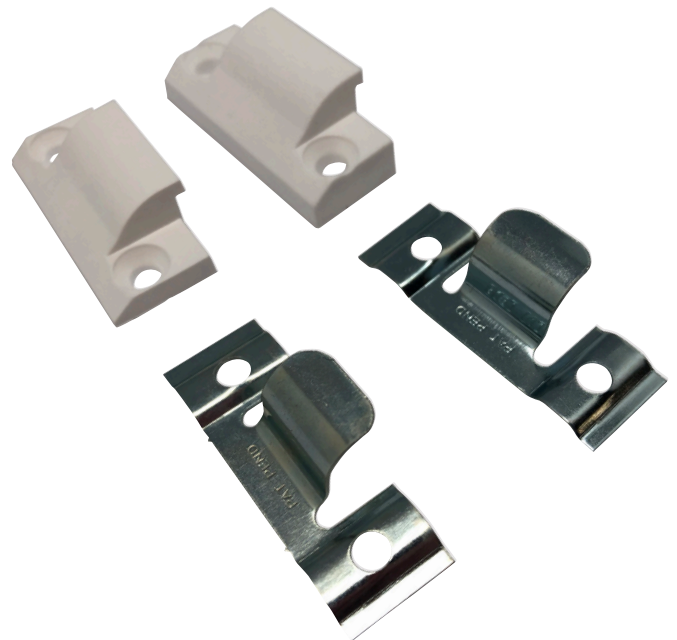
INSTALLATION GUIDANCE



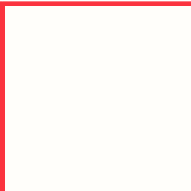

PRODUCT INFORMATION

This highly-effective spring device serves two purposes; to improve the seal of a sash on the hinged side of a window and prevent the sash from bowing. Whenever the window is closed, the sash spring pushes against the frame wedge to ensure a firmer seal. Sash-Seal can help to reduce the likelihood of leaking casements on PVCu, timber and aluminium frames, as well as improve their performance and lifespan for reduced call-outs and satisfied customers.

- Helps keep windows weathertight and reduces risk of bowing
- Fits in the middle of the window
- 1 set required per sash
- Universal fitting – versions available for all 13mm and 17mm stack height systems
- Quality manufactured in the UK
- White and black in stock. Grey, brown and tan also available to order.



PART NUMBERS

Swatch		
Colour	White	Black
13mm	GTS10013	GTS10513
17mm	GTS10017	GTS10517
Box Qty	200	200