



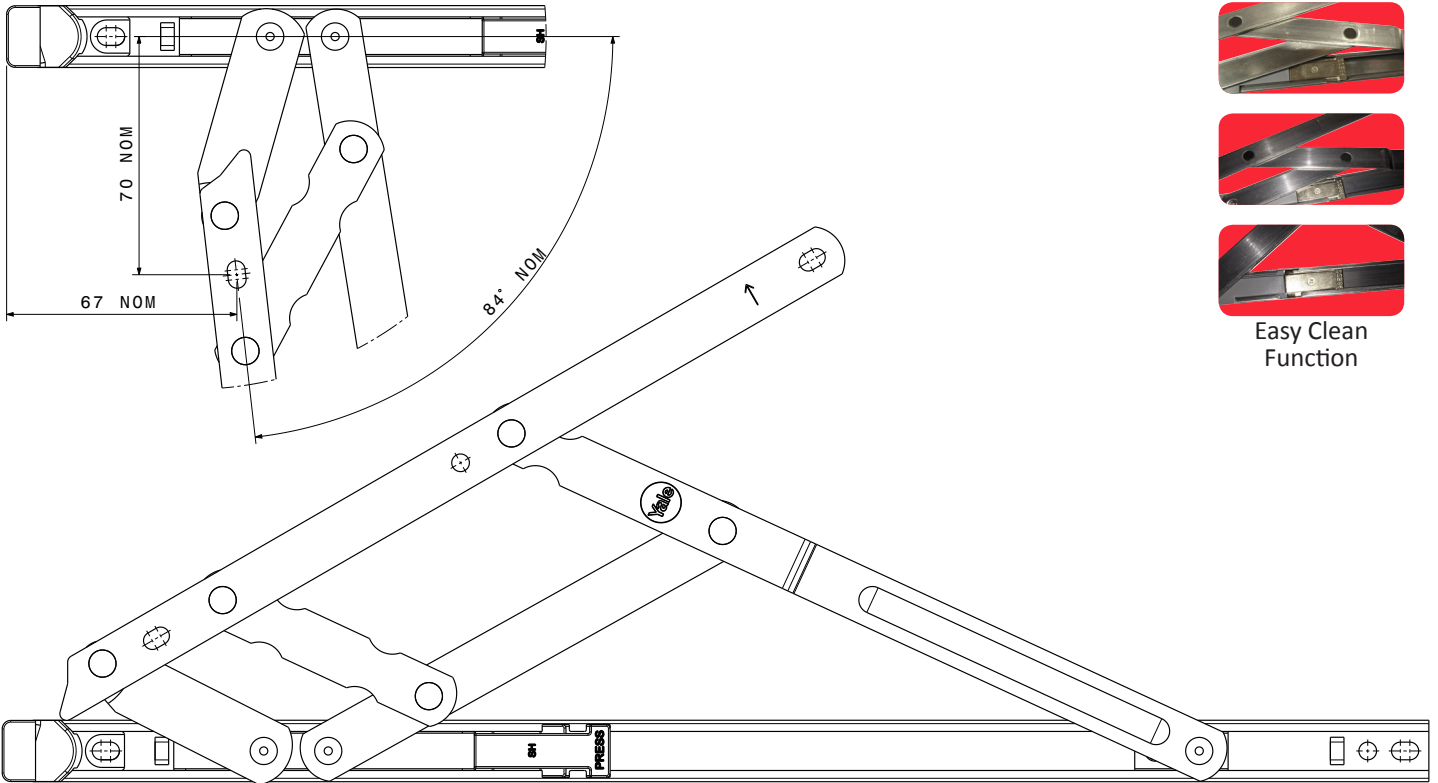
Yale Egress Easy Clean Friction Hinges



- Compatible with PCV, timber and aluminium windows
- Available hinge sizes: 12" and 16"
- Available stack heights: 13mm & 16mm
- Slider with friction
- Button release the hinge mechanism to open the window to easy-clean position
- Made from ferritic stainless steel

Guarantees and certifications

- Endurance tested to 20,000 cycles
- Corrosion tested to 96 hours BS EN 1670 Grade 3
- Tested to BS 6375 parts 1 and 2 for window performance
- Secured by Design compliant when fitted with hinge protector
- Included in the Yale Lifetime Security Guarantee – Ts&Cs apply



Easy Clean Function

TYPE	SIZE	MAX VENT		OPENING ANGLE	STACK HEIGHT		BOX QTY.
		WEIGHT	WIDTH		13mm	16mm	
Side Hung	12 inch	22kg	600mm	81°	YFH42612EC	YFH42812EC	25 Pairs
Side Hung	16 inch	24kg	700mm	84°	YFH42616EC	YFH42816EC	25 Pairs