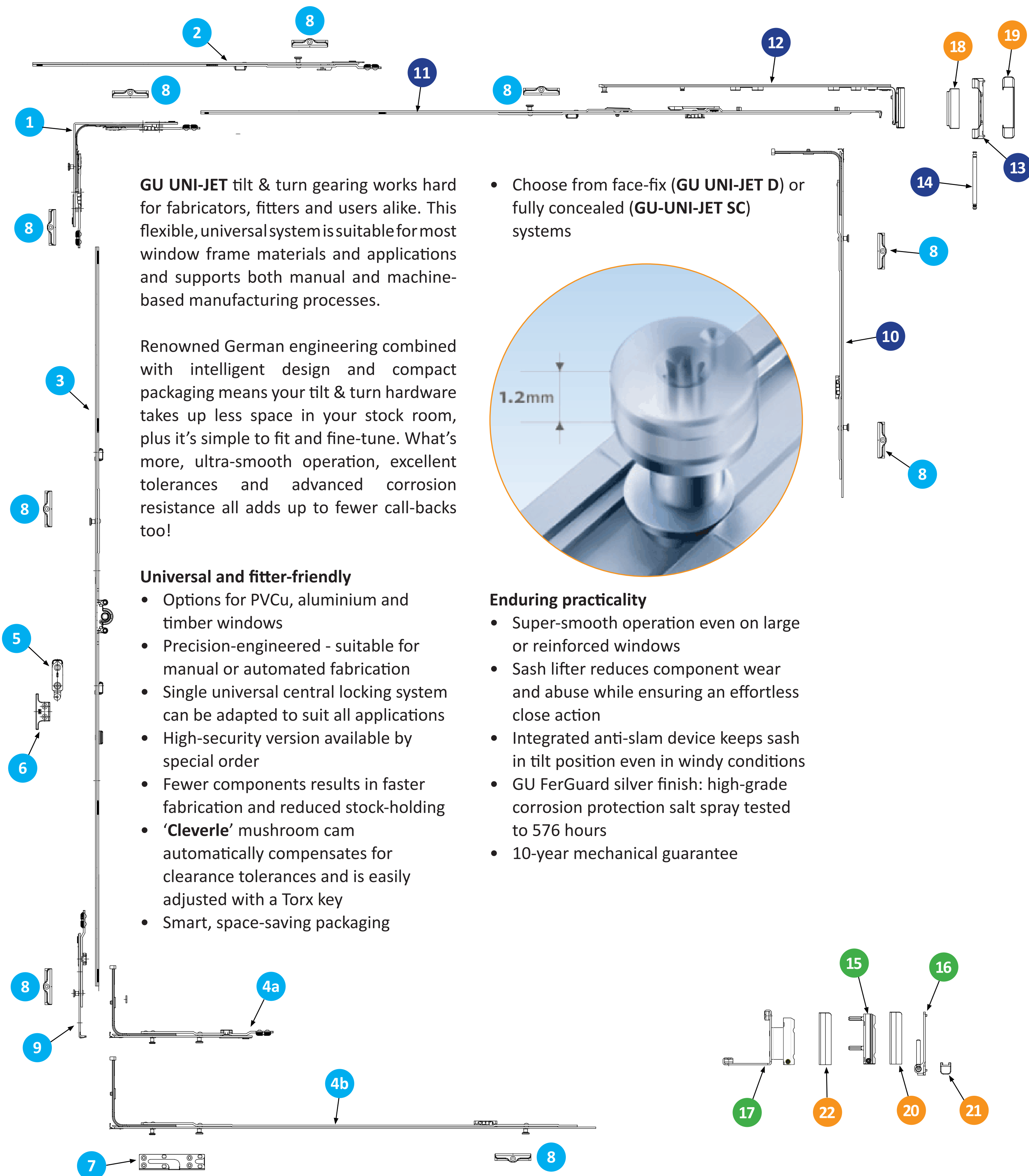




GU UNI-JET D Tilt & Turn Hardware Range



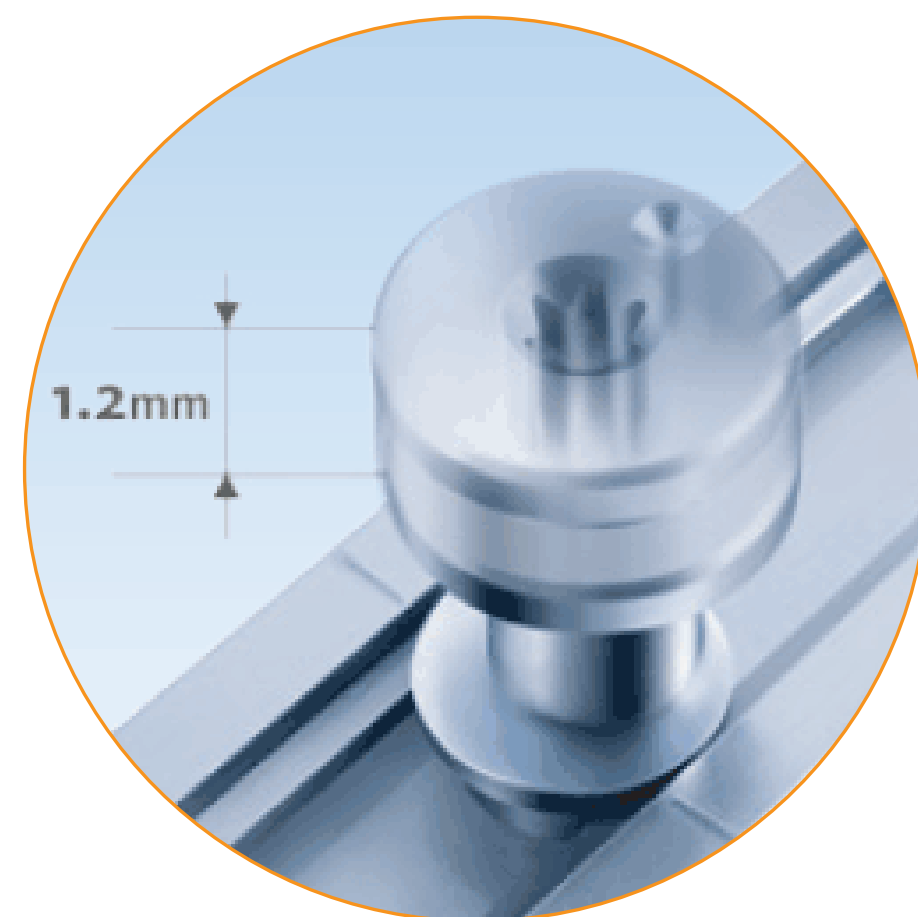
GU UNI-JET tilt & turn gearing works hard for fabricators, fitters and users alike. This flexible, universal system is suitable for most window frame materials and applications and supports both manual and machine-based manufacturing processes.

Renowned German engineering combined with intelligent design and compact packaging means your tilt & turn hardware takes up less space in your stock room, plus it's simple to fit and fine-tune. What's more, ultra-smooth operation, excellent tolerances and advanced corrosion resistance all adds up to fewer call-backs too!

Universal and fitter-friendly

- Options for PVCu, aluminium and timber windows
- Precision-engineered - suitable for manual or automated fabrication
- Single universal central locking system can be adapted to suit all applications
- High-security version available by special order
- Fewer components results in faster fabrication and reduced stock-holding
- 'Cleverle' mushroom cam automatically compensates for clearance tolerances and is easily adjusted with a Torx key
- Smart, space-saving packaging

- Choose from face-fix (GU UNI-JET D) or fully concealed (GU-UNI-JET SC) systems



Enduring practicality

- Super-smooth operation even on large or reinforced windows
- Sash lifter reduces component wear and abuse while ensuring an effortless close action
- Integrated anti-slam device keeps sash in tilt position even in windy conditions
- GU FerGuard silver finish: high-grade corrosion protection salt spray tested to 576 hours
- 10-year mechanical guarantee

	DESCRIPTION	SASH REBATE WIDTH	REQUIRED KEEPS	PART CODE		BOX QTY.	
1	Corner Transmission	500-1400mm	1	GUT32021		10	
2	Extension Piece	500mm	1	GUT32142		10	
				3a	7.5 Backset	3b	15mm Backset
3	Drive Gear	480-590mm	1	-		GUT22080	10
		510-590mm	1	GUT22100		-	10
		591-750mm	1	GUT22101		GUT22081	10
		751-1200mm	1	GUT22102		GUT22082	10
		951-1450mm	1	GUT22103		GUT22083	10
		1201-1700mm	1	GUT22004		GUT22084	10
		1451-1950mm	1	GUT22105		GUT22085	10
		1951-2450mm	1	GUT22106		GUT22086	10
4a	Centre Lock Bottom	280-750mm	0	GUT32612		10	
4b		751-950mm	1	GUT32605		10	
		951-1200mm	1	GUT32607		10	
		1201-1600mm	1	GUT32610		10	
5	Sash Positioner/Lifter	591-2090	0	GUT29987		100	
6	Sash Lifter	591-2090mm	-	PROFILE RELATED		100	
7	Locking Plate	-	-	PROFILE RELATED			
8	Roller Keep	-	-	PROFILE RELATED		100	
9	Drive Gear Extension	-	1	GUT33205		10	
TOP HINGE							
10	Centre Lock Side	721-1100mm	2	GUT32705		10	
		1101-1350mm	2	GUT32707		10	
		1351-1850mm	2	GUT32712		10	
		1851-2100mm	2	GUT32715		10	
		2101-2350mm	2	GUT32719		10	
11	Stay Arm Connect Plate	401-500mm	1	GUT31503		10	
		501-750mm	1	GUT31506		10	
		751-950mm	1	GUT31508		10	
		951-1200mm	1	GUT31510		10	
		1201-1450mm	1	GUT31512		10	
12	Stay Arm & Connector	280-500mm	0	GUT39141		10	
		501-750mm	0	GUT39142		10	
		751-1200mm	0	GUT39143		10	
		1201-1600mm	0	GUT39144		10	
13	Stay Arm Bearing	-	-	GUT36026		100	
14	Stay Arm Bearing Pin	-	-	GUT48898		100	
BOTTOM HINGE							
15	Square Hinge		-	GUT36101		100	
16	Pivot Post	9/13mm Eurogroove	-	GUT36822		100	
ALTERNATIVE BOTTOM HINGE							
17	Rebate Corner Hinge	13mm Eurogroove	-	LEFT HAND	RIGHT HAND	100	
				GUT36120L	GUT36120R		
HINGE COVER CAPS							
				WHITE	BROWN	BLACK	
CKKIT	Cover Cap Kit for Square Stay Hinge	For spares, see separate parts (18-21)		GUT18607	GUT18605	-	100
18	Stay Hinge Cover	White & Brown, part of cover cap kit (CKKIT)		GUT47797	GUT47795	GUT47796	100
19	Stay Bearing Cover	White & Brown, part of cover cap kit (CKKIT)		GUT47337	GUT47335	GUT47336	100
20	Square Edge Hinge Cover	White & Brown, part of cover cap kit (CKKIT)		GUT18607	GUT18605	GUT47786	100
21	Pivt Post Bottom Cover	White & Brown, part of cover cap kit (CKKIT)		GUT42687	GUT42685	GUT42686	100
ALTERNATIVE BOTTOM HINGE COVER							
				WHITE	BROWN	BLACK	
22	Rebate Hinge Cover	Left Hand		GUT47827L	GUT47825L	GUT47826L	100
		Right Hand		GUT47827R	GUT47825R	GUT47826R	100