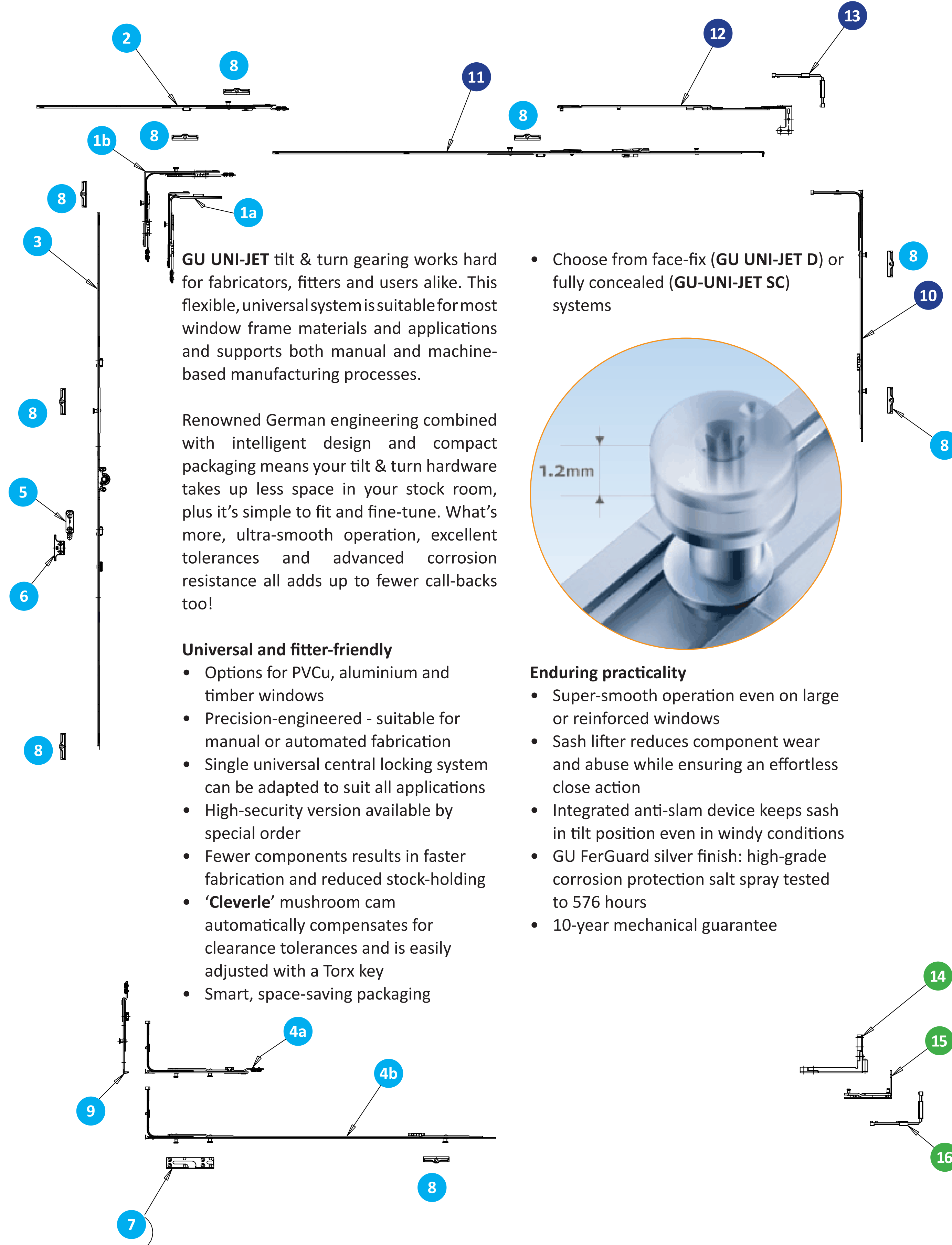




**GU UNI-JET SC Tilt & Turn Hardware Range**



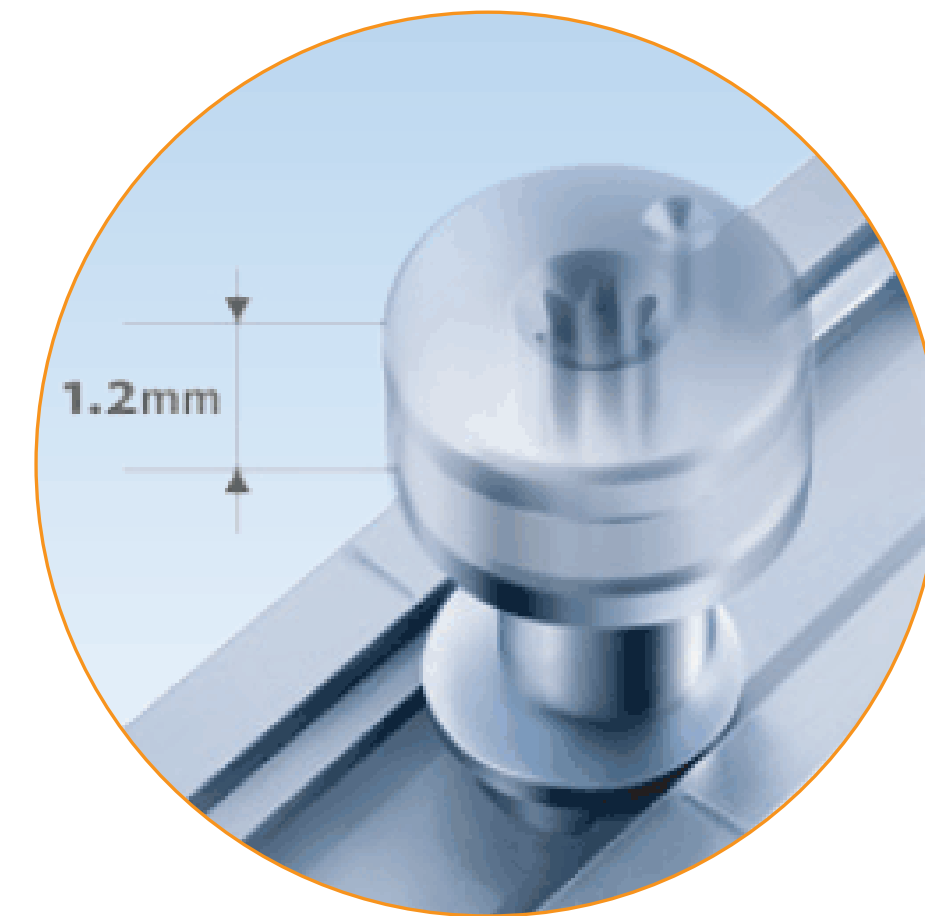
GU UNI-JET tilt & turn gearing works hard for fabricators, fitters and users alike. This flexible, universal system is suitable for most window frame materials and applications and supports both manual and machine-based manufacturing processes.

Renowned German engineering combined with intelligent design and compact packaging means your tilt & turn hardware takes up less space in your stock room, plus it's simple to fit and fine-tune. What's more, ultra-smooth operation, excellent tolerances and advanced corrosion resistance all adds up to fewer call-backs too!

**Universal and fitter-friendly**

- Options for PVCu, aluminium and timber windows
- Precision-engineered - suitable for manual or automated fabrication
- Single universal central locking system can be adapted to suit all applications
- High-security version available by special order
- Fewer components results in faster fabrication and reduced stock-holding
- 'Cleverle' mushroom cam automatically compensates for clearance tolerances and is easily adjusted with a Torx key
- Smart, space-saving packaging

- Choose from face-fix (GU UNI-JET D) or fully concealed (GU-UNI-JET SC) systems



**Enduring practicality**

- Super-smooth operation even on large or reinforced windows
- Sash lifter reduces component wear and abuse while ensuring an effortless close action
- Integrated anti-slam device keeps sash in tilt position even in windy conditions
- GU FerGuard silver finish: high-grade corrosion protection salt spray tested to 576 hours
- 10-year mechanical guarantee

	DESCRIPTION	SASH REBATE WIDTH	REQUIRED KEEPS	PART CODE		BOX QTY.	
1a	Corner Transmission	400-500mm	1	GUT2238		10	
1b		500-1400mm	1	GUT32021		10	
2	Extension Piece	500mm	1	GUT32142		10	
				3a 7.5 Backset	3b 15mm Backset		
3	Drive Gear	480-590mm	1	-		GUT22080	10
		510-590mm	1	GUT22100		-	10
		591-750mm	1	GUT22101		GUT22081	10
		751-1200mm	1	GUT22102		GUT22082	10
		951-1450mm	1	GUT22103		GUT22083	10
		1201-1700mm	1	GUT22004		GUT22084	10
		1451-1950mm	1	GUT22105		GUT22085	10
		1951-2450mm	1	GUT22106		GUT22086	10
4a	Centre Lock Bottom	280-750mm	0	GUT32612		10	
4b		751-950mm	1	GUT32605		10	
		951-1200mm	1	GUT32607		10	
		1201-1600mm	1	GUT32610		10	
5	Sash Positioner/Lifter	591-2090mm	-	GUT29987		100	
6	Sash Lifter	591-2090mm	-	PROFILE RELATED		100	
7	Locking Plate	-	-	PROFILE RELATED		100	
8	Roller Keep	-	-	PROFILE RELATED		100	
9	Drive Gear Extension	-	1	GUT33205		10	
	<b>TOP HINGE</b>						
10	Centre Lock Side	480-720mm	2	GUT32100		10	
		721-1100mm	2	GUT32805		10	
		1101-1350mm	2	GUT32807		10	
		1351-1700mm	2	GUT32812		10	
		1701-2100mm	2	GUT32815		10	
		2101-2450mm	2	GUT32819		10	
11	Stay Arm Connect Plate	420-750mm	1	GUT34006		10	
		751-950mm	1	GUT34008		10	
		951-1200mm	1	GUT34010		10	
		1201-1300mm	1	GUT34012		10	
				LEFT HAND	RIGHT HAND		
12	Stay Arm	390-750mm	0	GUT37031L	GUT37031R	10	
		751-1400mm	0	GUT37046L	GUT37046R	10	
13	Concealed Hinge Packer	No. 1	-	GUT44401L	GUT44401R	100	
		No. 2	-	GUT44402L	GUT44402R	100	
		No. 3	-	GUT44403L	GUT44403R	100	
		No. 5	-	GUT44405L	GUT44405R	100	
		No. 7	-	GUT44407L	GUT44407R	100	
		No. 28	-	GUT44428L	GUT44428R	100	
		No. 28	-	GUT49628L	GUT49628R	100	
	<b>BOTTOM HINGE</b>						
14	Sash Bearing	13mm Eurogroove	-	GUT34013L	GUT34013R	50	
15	Corner Bearing	-	-	GUT34095L	GUT34095R	50	
		-	-	GUT36031L	GUT36031R	100	
16	Hinge Packer	Pair	-	PROFILE RELATED			