



information Guide



Sales 01234 242724 Fax 01234 242700/1
E-mail sales@windowware.co.uk
Web www.windowware.co.uk



Order by

- Phone Sales 01243 242724

- Fax Sales 01234 242700/1

- E-mail sales@windowware.co.uk

- On-line www.windowware.co.uk

Technical Support

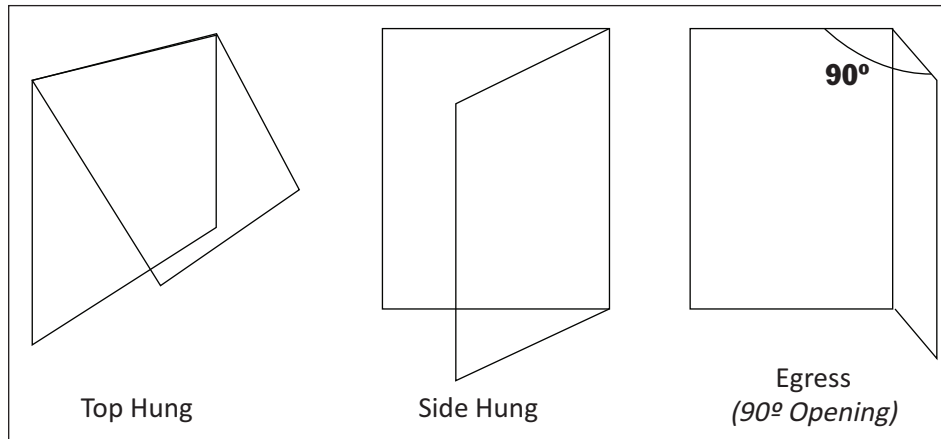
- Phone 01234 242738

- E-mail technical@windowware.co.uk

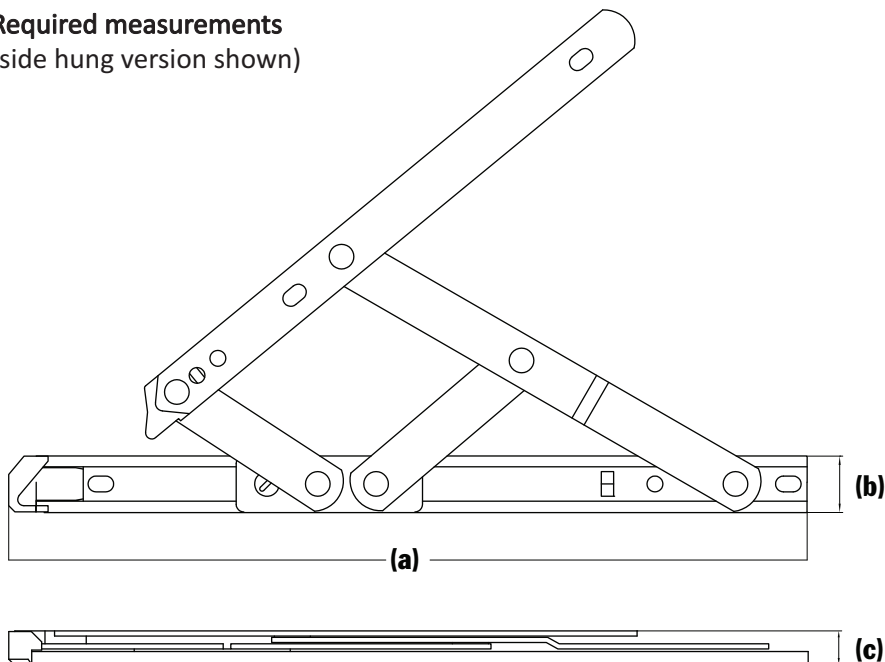
INFORMATION

Window Hinges

Opening Angle Diagrams



Required measurements (side hung version shown)



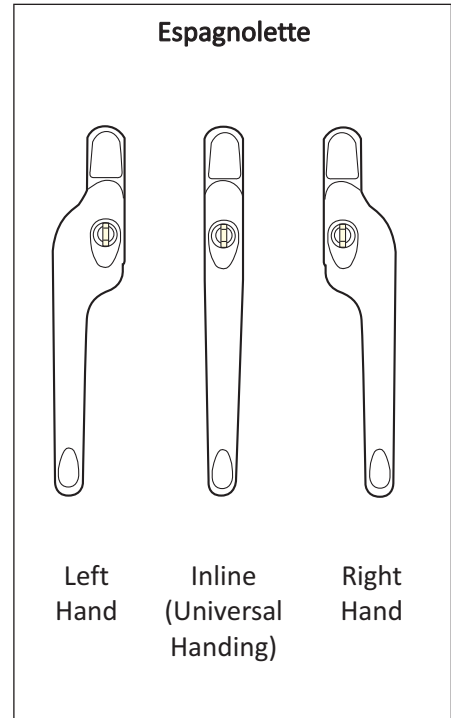
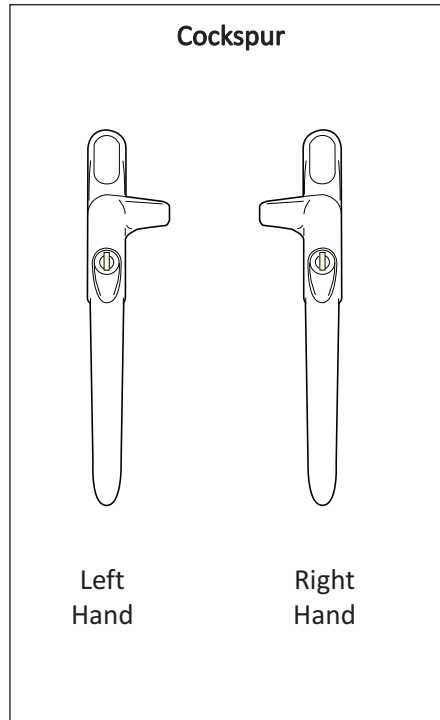
Required information:-

- | | | |
|-----|--|-------------------|
| (a) | Length in inches | i.e. 10" |
| (b) | Width in millimetres | i.e. 18mm |
| (c) | Depth of hinge (stack height) | either 13 or 17mm |
| (d) | Top hung, side hung or side hung egress? | |

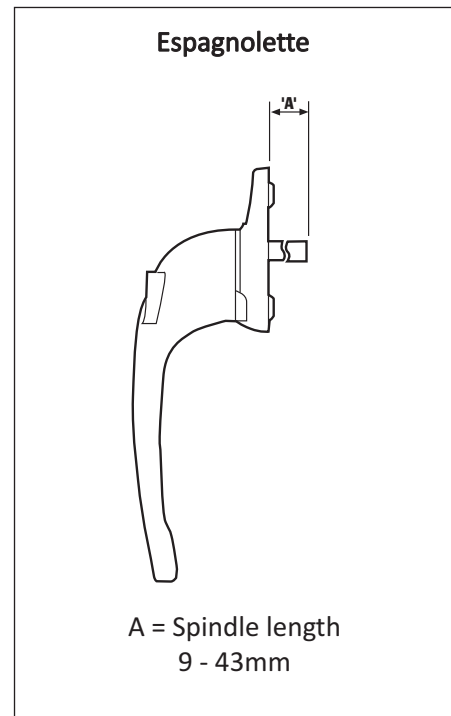
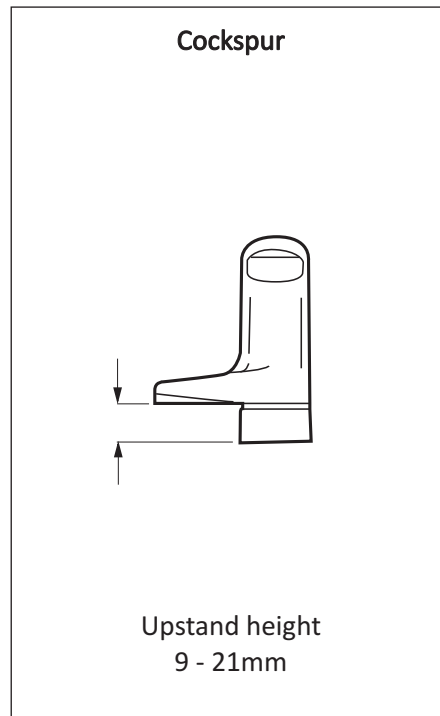
INFORMATION

Window Handles

Handle Types



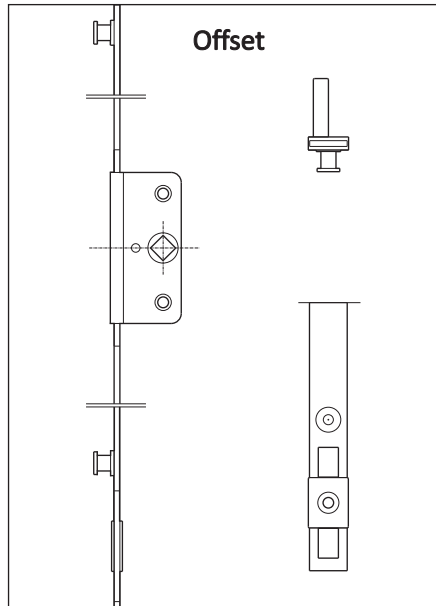
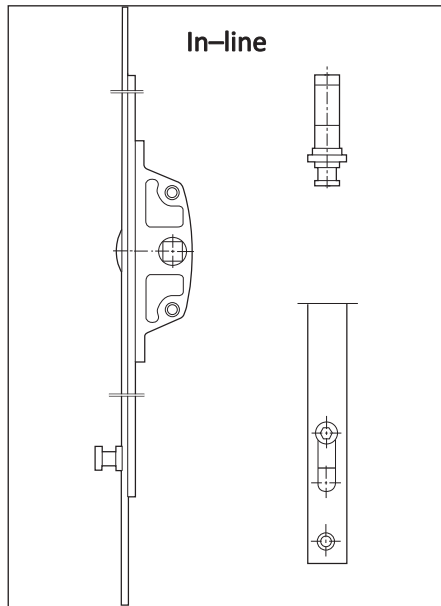
Required Measurements



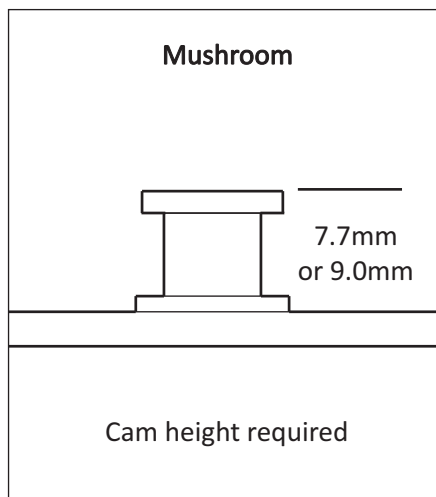
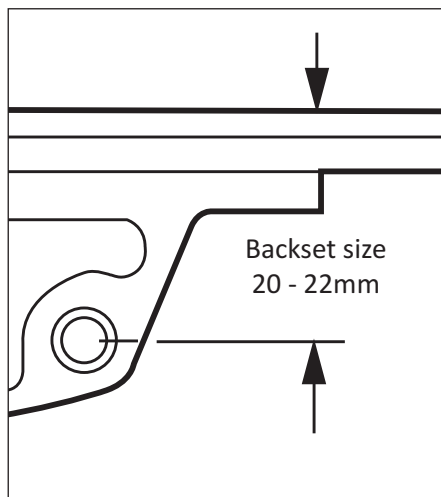
INFORMATION

Window Shootbolts and Espagnolette Bolts

Types



Required Measurements

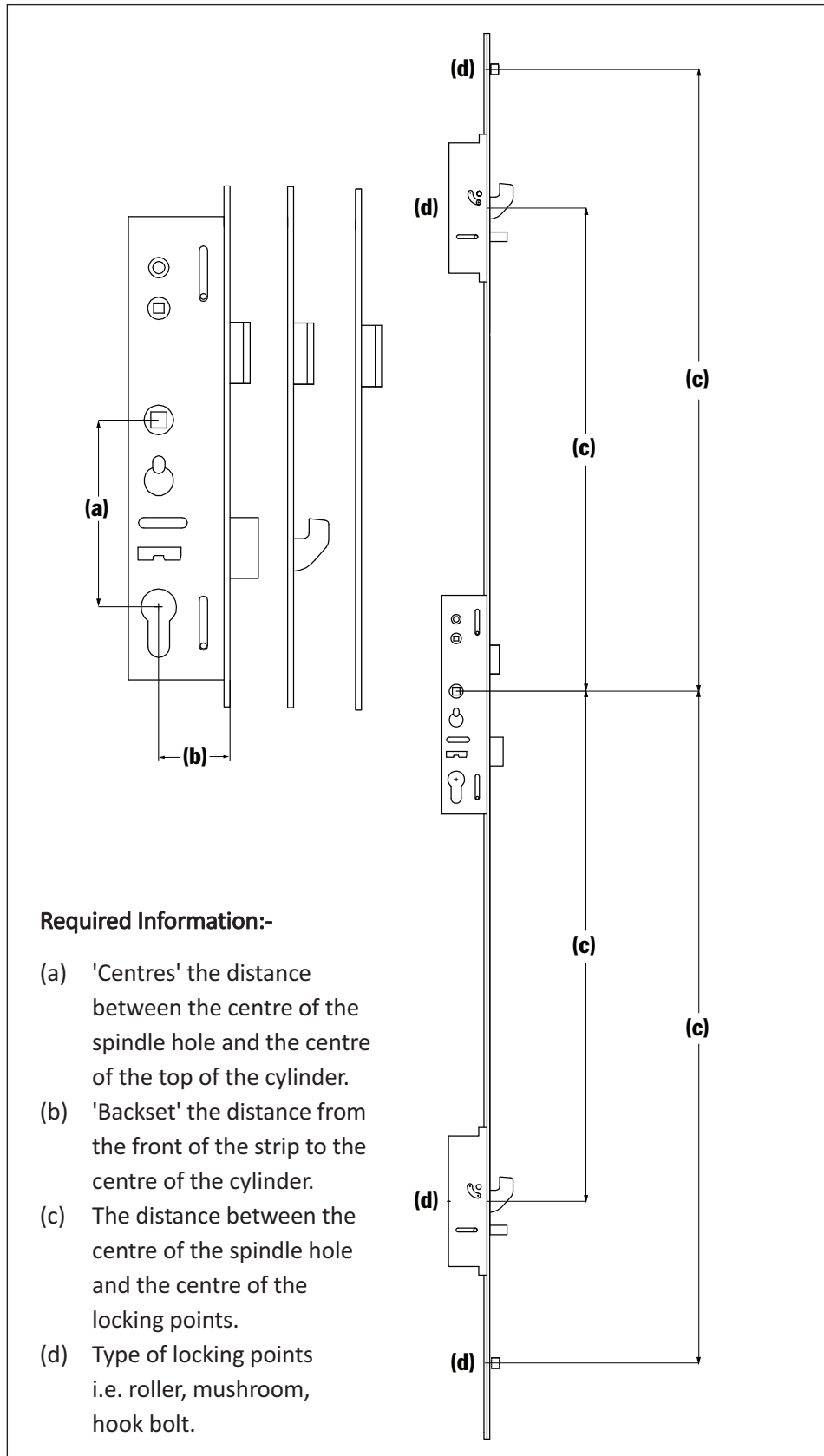


Other required information

Profile system for keeps (as they are profile specific)
Size of the window (for shootbolt bar lengths)

INFORMATION

Door Bolts

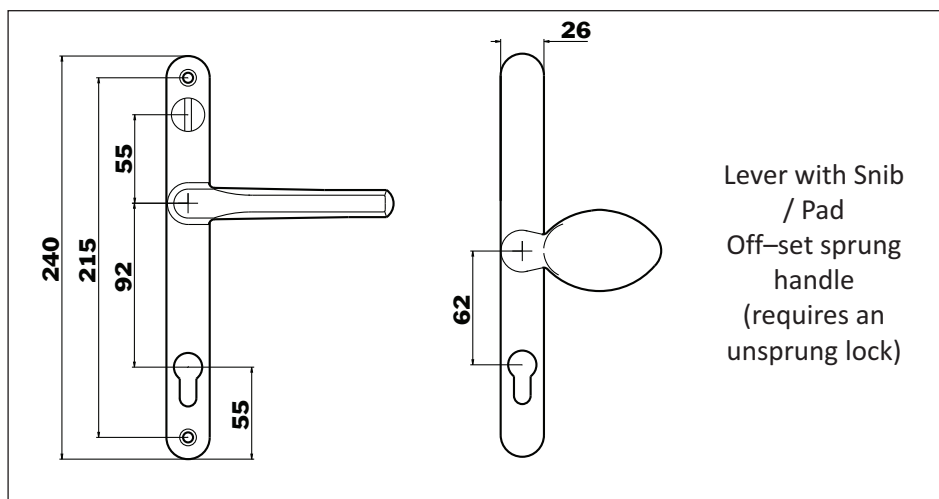
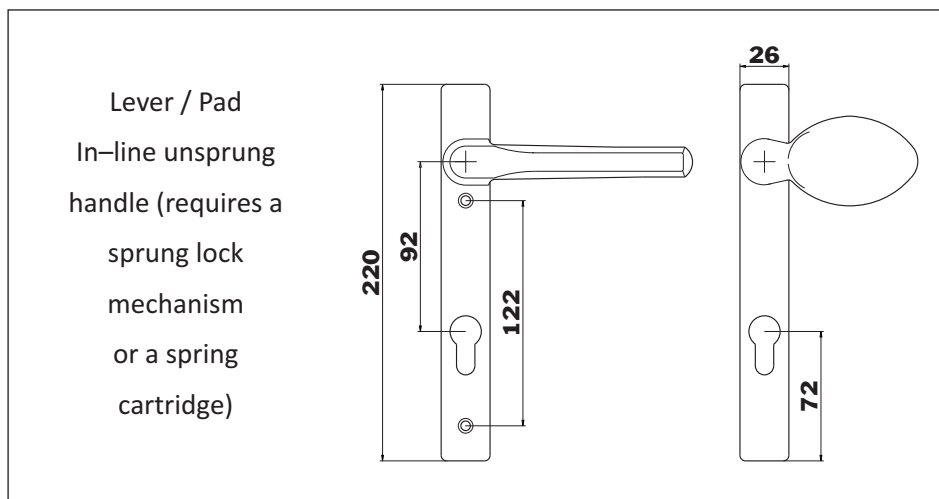
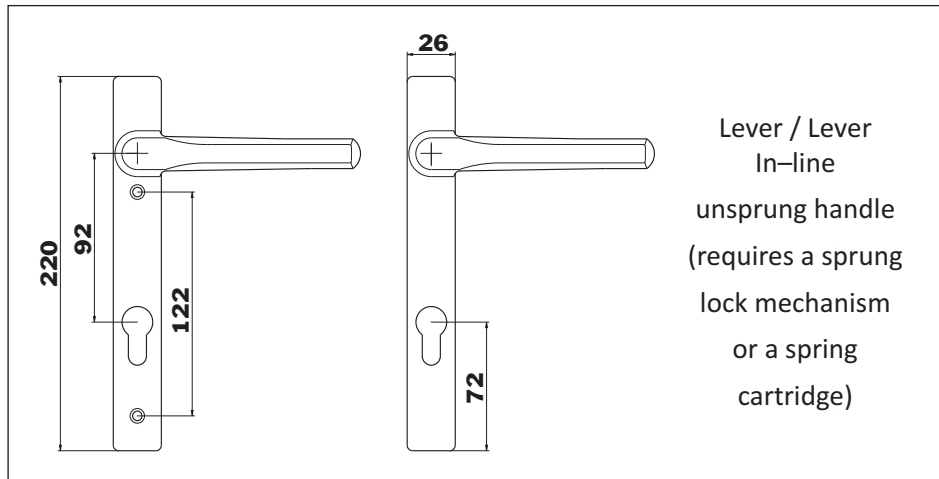


Required Information:-

- (a) 'Centres' the distance between the centre of the spindle hole and the centre of the top of the cylinder.
- (b) 'Backset' the distance from the front of the strip to the centre of the cylinder.
- (c) The distance between the centre of the spindle hole and the centre of the locking points.
- (d) Type of locking points i.e. roller, mushroom, hook bolt.

INFORMATION

Door Handle Types



Other configurations available:- Blank Plate (no cylinder hole or handle - internal or external). Dummy Lever (no cylinder hole, handle does not operate). Lever on Blank Plate (no cylinder hole, handle operates). Fixed Lever or Pad (does not move).

INFORMATION

Profile Cylinder Guide

Typical Cylinder Styles

Key both sides

Thumb turn inside and Key outside

24

30

A inside **B** outside

A **B**

Example of a typical profile including handle back plates

When ordering thumb turns, please make sure you state the side with the thumb turn first. To determine the size, measure 'A' then 'B' Example: A=40mm, B=45mm. Order a 40/45.

Typical Door Cylinder Options

Paired cylinders

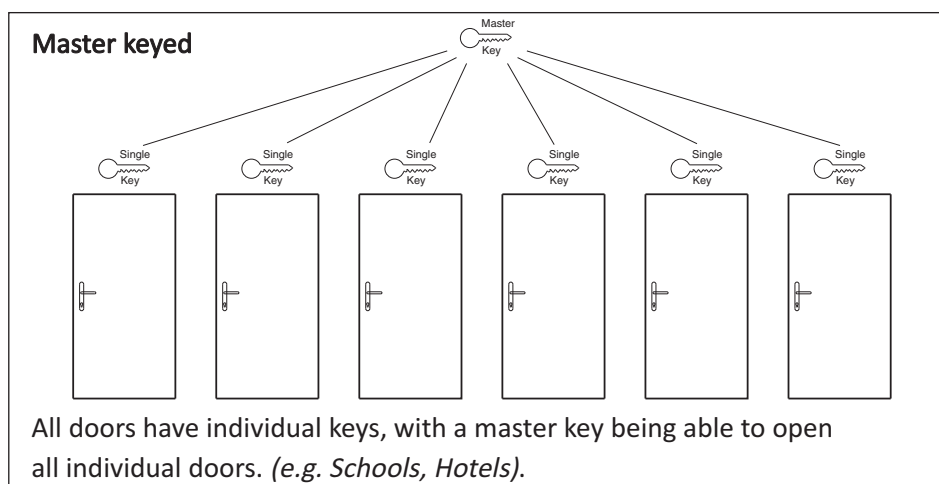
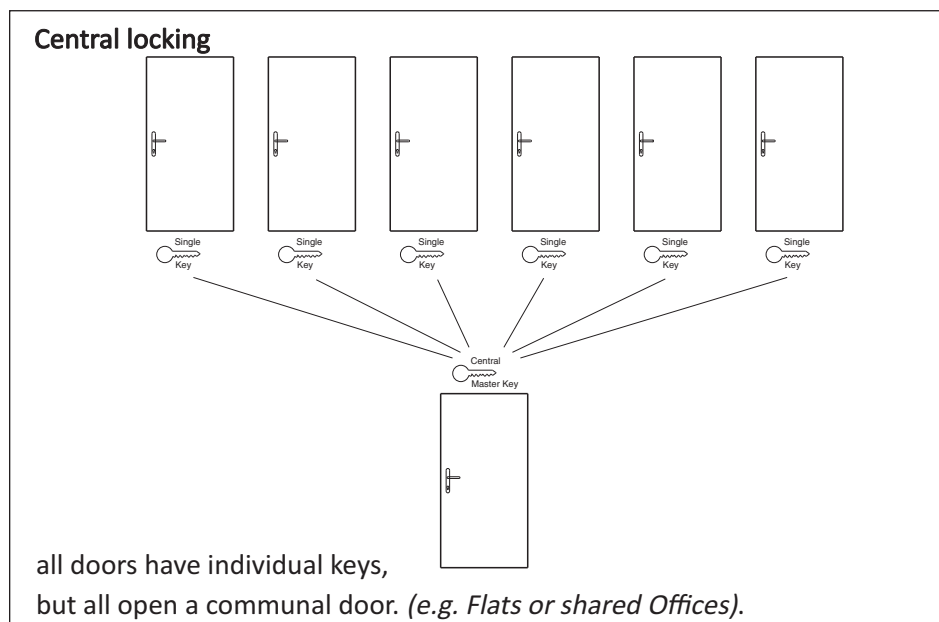
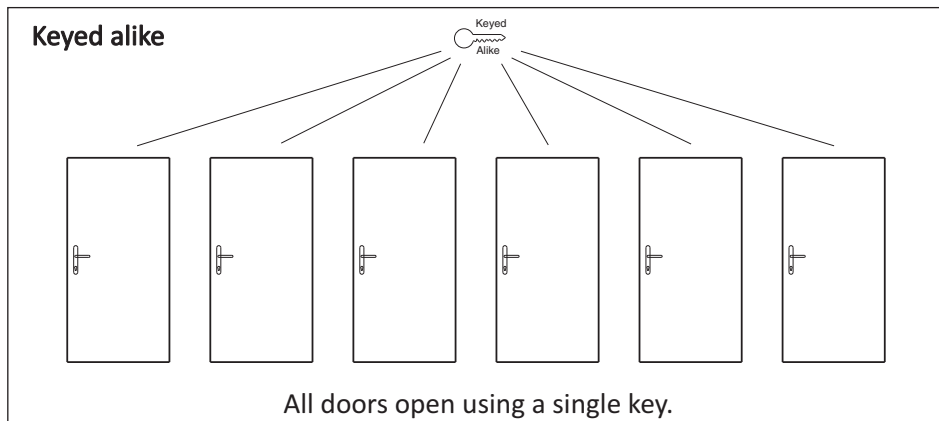
Pair of Cylinders

Both doors open using a single key. (e.g front and back doors).

INFORMATION

Profile Cylinder Guide

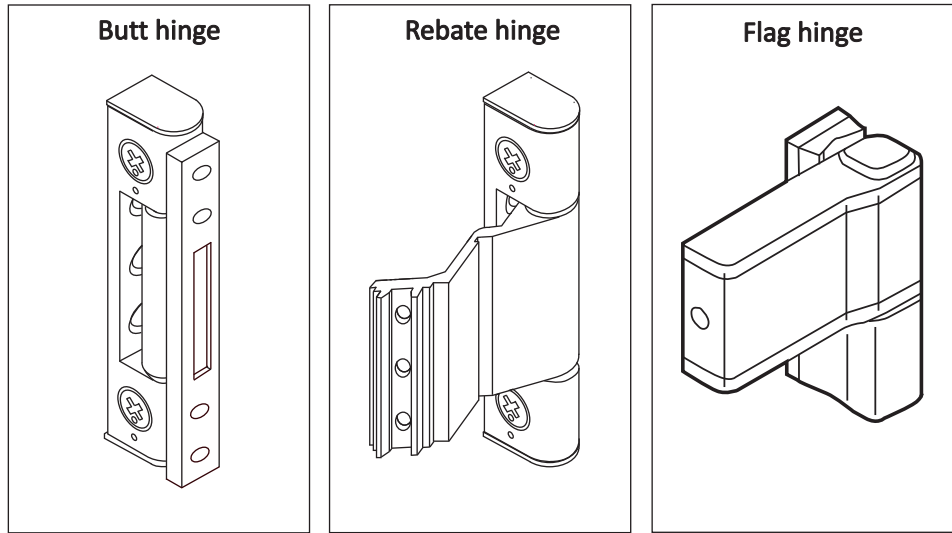
Typical Door Cylinder Options Continued



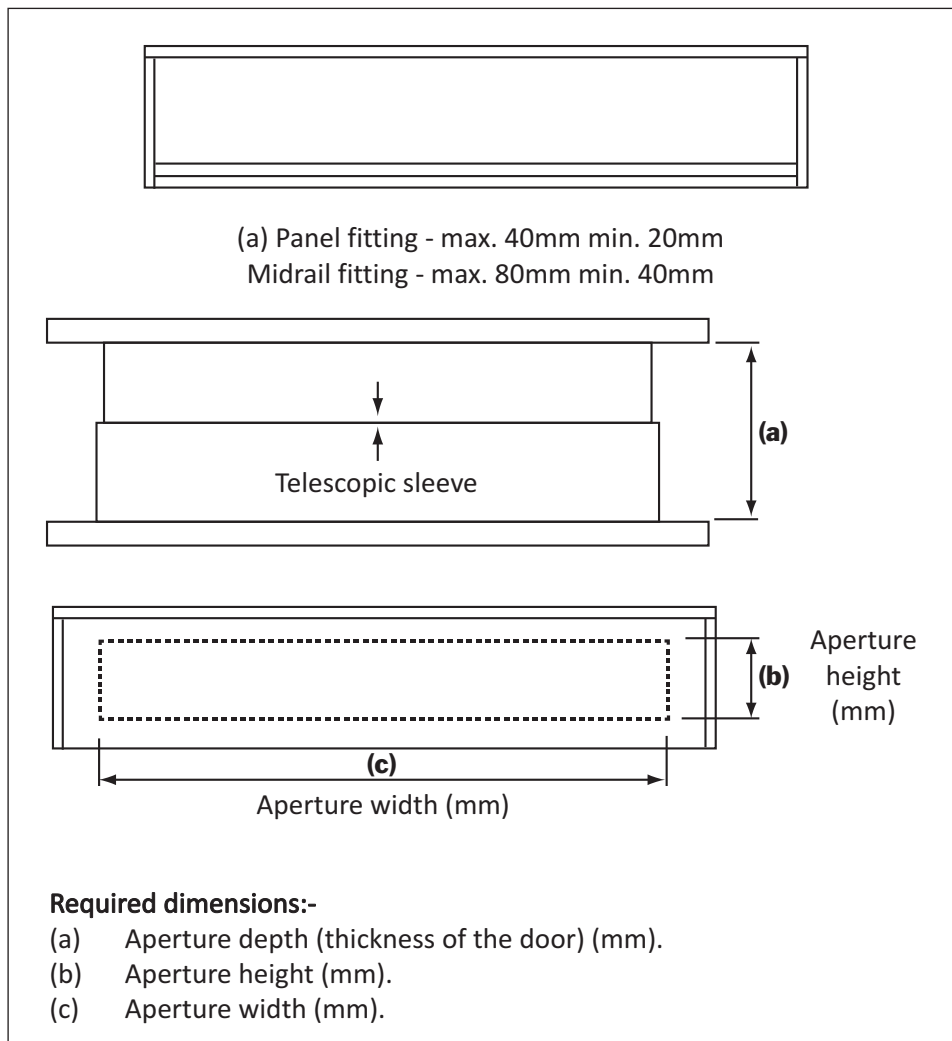
INFORMATION

Door Hinges & Letterplates

Door Hinge Types



Letterplates

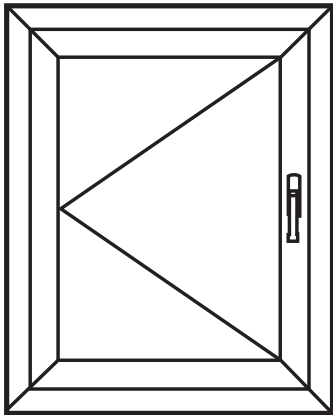


INFORMATION

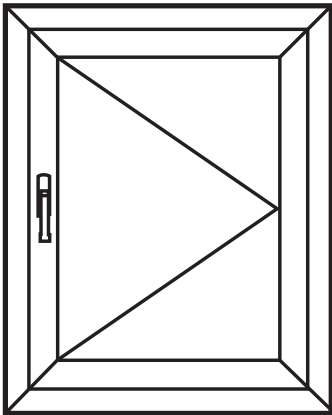
Tilt Before Turn & Door Handing



Tilt Before Turn Handing - Viewed from inside

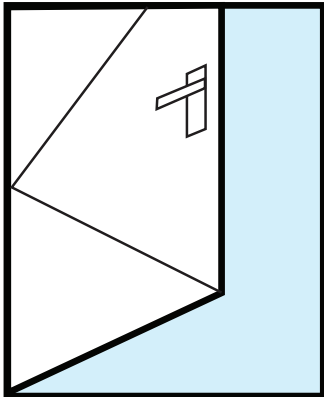


Left Hand

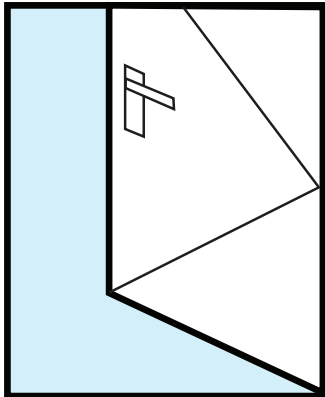


Right Hand

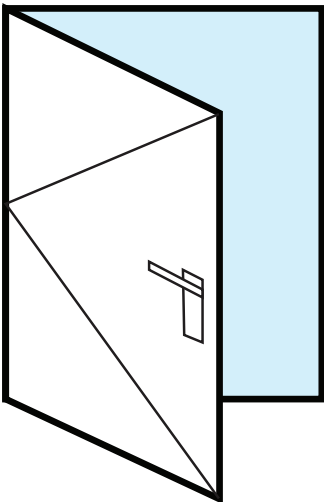
Door Handing - Viewed from inside



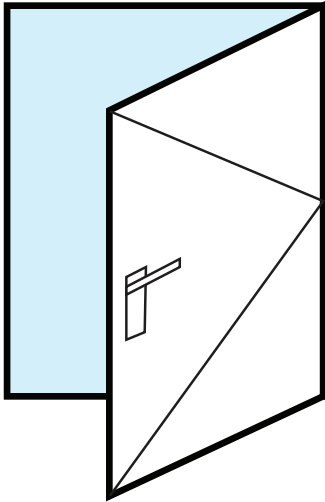
Open Out
Right Hand Keep



Open Out
Left Hand Keep



Open In
Left Hand Keep



Open In
Right Hand Keep



Sales 01234 242724 Fax 01234 242700/1
E-mail sales@windowware.co.uk Web www.windowware.co.uk

Window Ware Telford Way, Cross Park, Bedford, MK42 0PQ